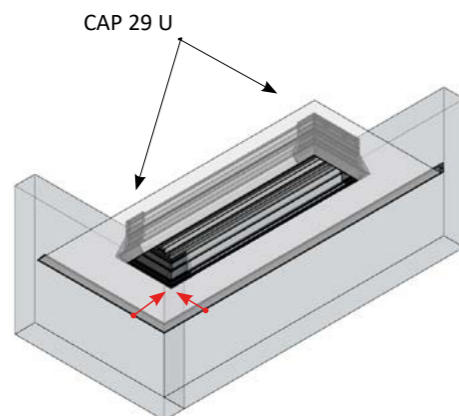
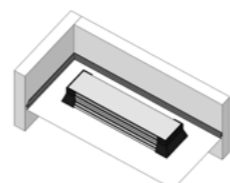


CAP ENDINGS

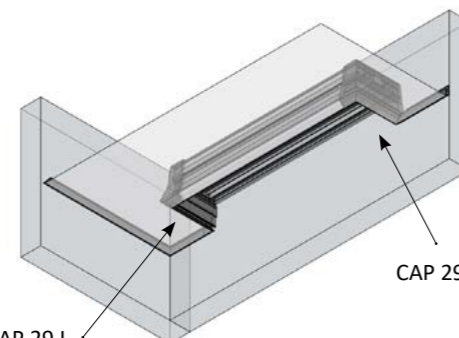
CAP 29 U



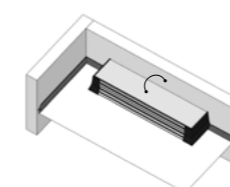
- distance from wall to profile
- 2 Adapters
- 2 CAP 29 U



CAP 29 L / R



- the profile is fixed flush to the wall
- 1 Adapter
- CAP 29 L and CAP 29 R



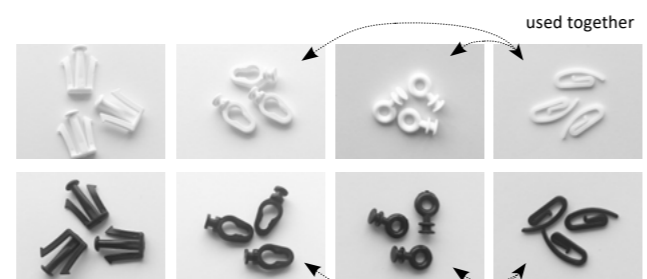
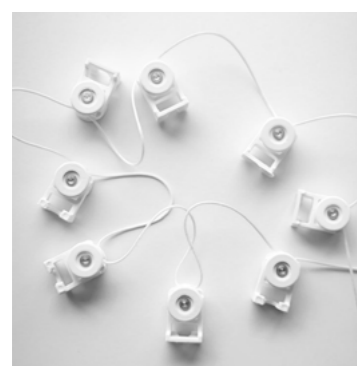
ROLLERS EASY-CLICK



Hanging curtains has never been easier! For this purpose we use the **Rollers Easy-click** system.

The system consists of two parts - a tape with hooks, which should be pre-stitched to the main curtain fabric, and a chain of rollers, which are fixed in the profile.

- The rollers are at an equal distance (6 cm), which makes the curtain line tidy
- The hooks snap into the rollers, making it easy to hang the curtains and just as easy to unhook them.
- The rollers have special movable wheels, which makes the curtains glide smoothly.



Triple Hook Long Hook Round Hook Pin Hook

Hooks for rollers in black and white color for different purposes, depends on curtain mounting choice. Attached to curtains. (65 pcs/pack)

Roll
(13 pcs/m)
Profile Rollers in black and white, stitched to a rope at a step 6 sm.

new

AL 29 BLIND + AL 29 Adapter

used with classic harpoon

The new version of AL 29 Blind profile is the ideal solution for creating concealed curtain rails, curtain and tulle hangings and for hanging pictures around the perimeter of a room, for example. The shape of the profile also allows the placement of internal lighting, making it an additional source of decorative lighting. The additional AL29 Adapter allows you to create a 7 cm recessed niche, hidden from view, which allows you to create particularly beautiful and clear lines in the interior. Both AL 29 Blind and AL 29 Adapter are available in two colors - Black Anodised and White RAL 9010.

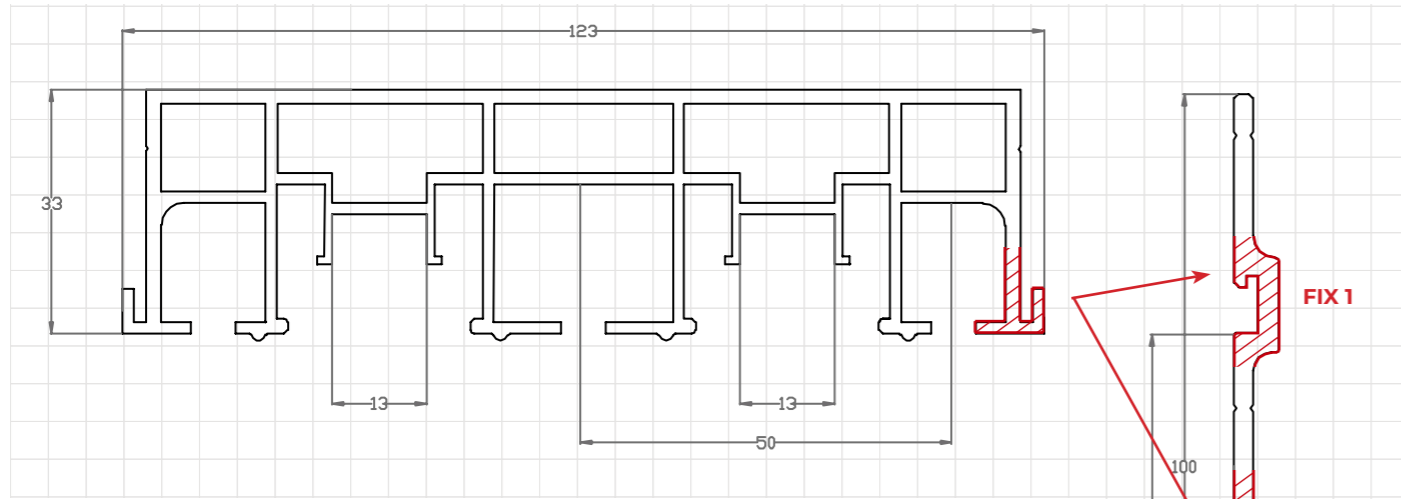
MAIN FEATURES

Our updated cornice system consists of the new AL 29 BLIND profile and AL 29 Adapter and combines several possibilities:



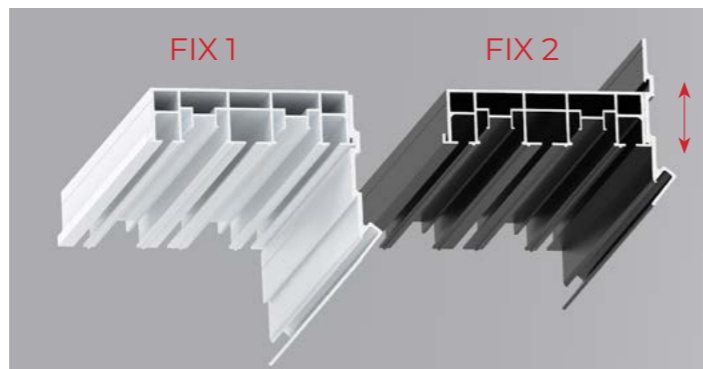
- 5 options for creating a niche for curtains
- the additional wall AL 29 Adapter is used to create a recessed niche with a depth of 7 cm, creating a clear, even construction line
- if used without AL 29 Adapter, the curtain rod will be positioned in the same plane as the stretch ceiling.
- new easy-click curtain fastening system for easy installation and removal of curtains and drapes
- easy sliding of the curtains in the profile due to the special roller construction.
- 2 rails for mounting LED lighting, VEC 4 is used as diffuser
- 5 cm distance between the curtain guides, which is enough to prevent the curtain and drape from catching each other.

PROFILE REAL-SIZE DIMENSIONS



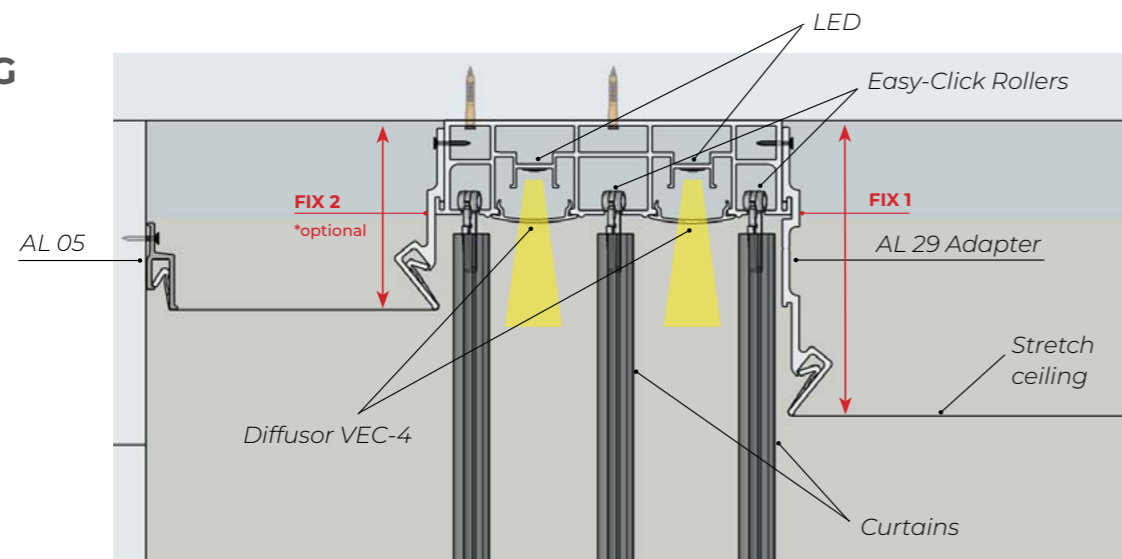
DESCRIPTION

The new profile has 2 lighting lines, the width between the curtain guides is now 5 cm, the curtains do not touch and do not pull each other. The guides for LED strips have been made deeper, which makes the light more homogeneous without shadows when using the VEC 4 diffuser.

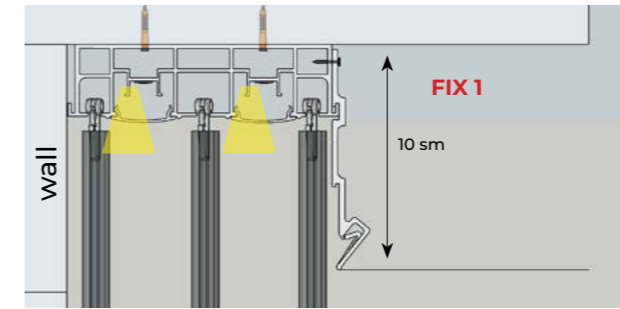


With the AL29 adapter, it is now possible to create a recessed niche for curtains, allowing for more aesthetically pleasing, simple straight lines. The adapter is rigid and resistant to bending, it does not deform when installed under pressure and the internal lines remain smooth and clear. It has 2 special brackets for fixing to the main profile at different levels, allowing different niche depths of 7 and 5 cm.

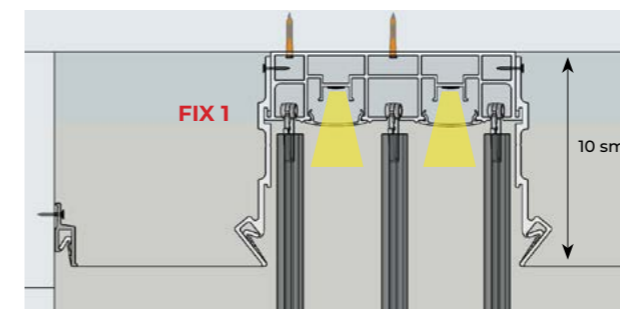
MOUNTING SCHEME



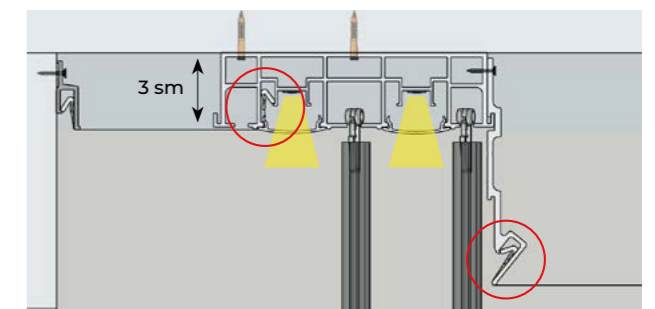
POSSIBILITIES OF USING



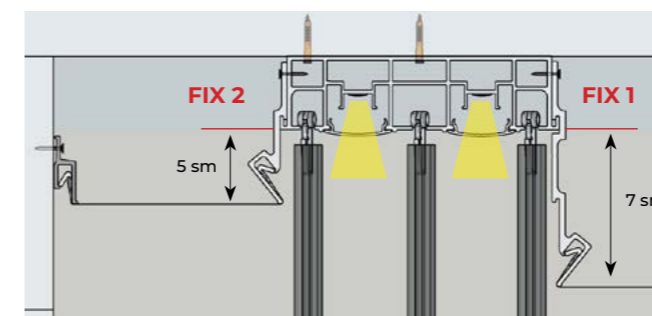
- **Close to the wall**
 - 3 "rails" for curtains.
 - AL 29 Adapter on one side (FIX 1)
 - Height loss - 10 sm from base ceiling
 - **Niche with deepening effect - 7 sm**



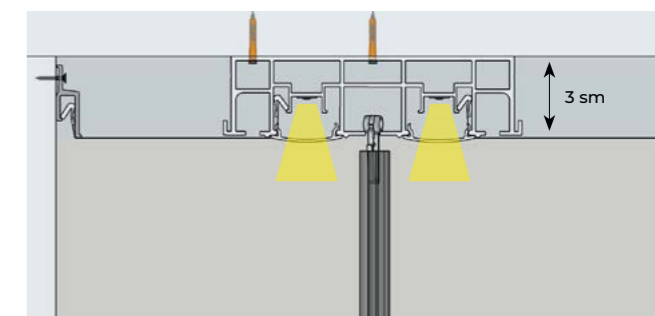
- **Space between the wall and curtains**
 - 3 "rails" for curtains
 - AL 29 Adapters on both sides (FIX 1)
 - Height loss - 10 sm from base ceiling
 - **Niche - 7 sm**



- Space between the wall and curtains
 - **2 "rails" for curtains**
 - Different level of stretch ceiling
 - **AL 29 Adapter on one side (FIX 1)**
 - Niche with depth of 7 sm



- Space between the wall and curtains
 - 3 "rails" for curtains
 - Different level of stretch ceiling
 - AL 29 Adapters on both sides (FIX 1 and FIX 2), ceiling attached to them
 - **Adapter is shortened on one side (FIX 2)**
 - Niche depth - 5 and 7 sm



- **Without niche effect**, curtain rails and light line is visible
 - **Only 1 "rail" for curtains**
 - Minimum height loss (only 3 sm from base ceiling)
 - Space between the wall and curtains
 - Without adapters, ceiling is attached to AL 29 Blind profile