



INNOVATION MADE **VISIBLE**









Estonia

TECHNICAL CATALOGUE

INNOVATION MADE **VISIBLE**



Symbols used in the catalog:

-  *Vertical mounting*
-  *Horizontal mounting*
-  *Horizontal and vertical mounting*
-  *Weight of 1m profile*
-  *Visible / Invisible profile*
-  *Anodised / non-anodised profile*
-  *Color of the profile / white*
-  *Color of the profile / black*

Stretch ceiling technical information

Vecta Design stretch ceiling - and wall solutions are made of thin and lightweight (240 gr/m²) synthetic material. Our ceiling material is lighter than any other type of ceiling available and, therefore minimizes the load on the building's structure.

We recommend using only certified materials (products with CE marking) which will ensure the safe and high-quality result that will have a long lifetime. The PVC film we recommend is made in Europe and it is a sustainable non-phthalate plasticizer based material. An environmentally

responsible way of creating interior design means that it will be durable in keeping its great qualities and that the materials would be recyclable. We can guarantee that our materials meet the requirements!

Stretch ceiling is an excellent material because it can be installed quickly and without removing the furniture out of the room. This versatile material and Vecta Design unique profiles will give You endless design possibilities.

It is necessary to draw a ceiling plan before creating and installing it. Stretch ceiling plan is a drawing to

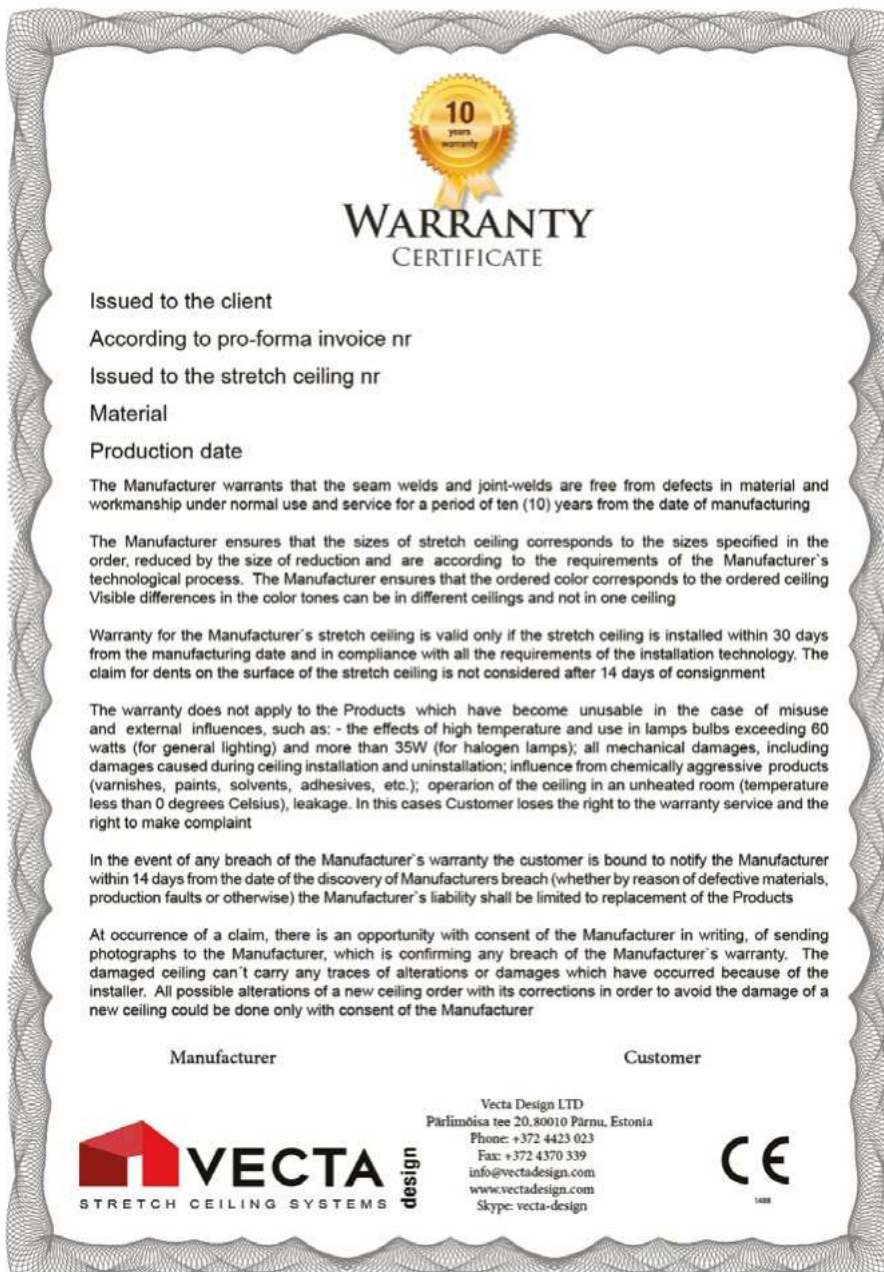
scale, showing a view down from above. When drawing a stretch ceiling plan it is very important to mark whether it is a ceiling or a wall.

The membranes will be welded together to achieve the appropriate size and the "harpoon" is welded to the perimeter of the material. Installation starts with fixing a suitable aluminum profile around the room. After that to make the ceiling flexible and easy to install, it is heated up to 50-60 degrees Celsius. Pre-warmed elastic stretch material will be then stretched and the ceiling harpoon will be fastened into the profile's locking channel. The cooling film will shrink to provide a tight, perfectly flat and smooth ceiling or wall solution.

Quick, clean, well-finished installation without interrupting everyday life and activity. Behind the stretch ceiling, it is possible to hide wires, ventilation systems and other unwanted elements that ruin the aesthetically pleasing result. On the surface of the ceiling, you can install lamps, smoke detectors, ventilation openings, etc.

Vecta Design stretch ceilings are available in a wide range of colors and textures. Different finishes are Matte, Satin, Lacquer, Translucent, Metallic, Mirror, BIOpruf (antibacterial), perforated and textile. All materials are suitable for decorative printing at our production plant. Special orders with customized solutions are possible. Stretch ceilings are UV resistant thus the sunlight will not fade its bright color.

Vecta Design stretch ceilings and manufacturing processes have been subjected to a demanding test program by a European Union Certification Agency. Vecta Design met the stringent requirements of the agency and was awarded the coveted CE certificate. CE certificate demonstrates that all VECTA DESIGN ceilings are environmentally friendly and safe for humans. The certificate also permits Vecta Design ceilings to be used for the most sensitive of installations such as in schools and hospitals. Vecta Design stretch ceilings are labeled with emission class A+ and are tested with ISO 16000.





Vecta Design office

Vecta Design stretch ceilings are fire rated B-s1d0 and B-s2d0 which considers 3 different aspects during a fire for classifying the material: no heat, no smoke, and no dripping. They are also UL and ULC certified.

The dimensional stability of an installed stretch ceiling is between -15o to + 45° Celsius. The melting point of Vecta Design PVC stretch ceilings varies in the range between 150-190° Celsius and it depends on the formula of the specific material.

Incorrectly specified building and interior materials or finishes provide homes for bacteria and fungi. Vecta Design stretch ceilings are suitable and safe to use in rooms with high humidity (spas, bathrooms, saunas, also in high steam areas) because stretch ceilings are moisture-repellent. Stretch material is also antibacterial and antistatic. Our BIOpruf PVC film is treated with 1.2% VINYZENE IT 4010 DIDP, which will ensure the material resistance to any type of bacterial and fungal growth. The contamination of inert surfaces by microorganisms is therefore not possible.

In case of unexpected leakage of water, the ceiling will withstand pressures of up to 150 kg per square meter. The

extra weight does not damage the material but stretches it temporarily out. Re-opening the ceiling allows the specialist to easily eliminate the cause of the damage, and the ceiling then restores its original appearance and good qualities. As a bonus, the material is resistant to saltwater and chlorine water.

With the hollow ceiling or high floor, the stretch ceiling creates an airlock which is similar to double glazing. The ceiling forms an insulating buffer and prevents condensation forming on the surface of the ceiling. Stretch ceiling offers a dual-energy saving because it helps to reduce heat loss from attic floors and decreases volumes to be heated through an easy installation at the desired height. Prevent thermal bridges. Heat conductivity coefficient: 0.16 x cal/m H°C.

Stretch ceiling and wall solutions are flexible because it is possible to hide all wires, ventilation systems, etc behind the ceiling and on the surface can be installed any lamps, smoke detectors, ventilation openings, etc. Besides aesthetic look our ceiling solutions have also practical and functional qualities, like great acoustic absorption, possibility to add

infrared panels and speakers inside the decorative wall panels, possibility to use BIO pruf material, which is antibacterial and many different designs when creating lighting stretch ceiling or adding lamps to the ceiling. As the ceiling can be dismantled easily, allowing comfortable access behind the ceiling. There can also be quick and clean work done, whenever there comes an idea of adding some additional new lighting or technical equipment on or behind the ceiling. Additional advantages of stretch material: cadmium-free; hygienic; antifungal coating; sterilizable; insensitive to radiation; insensitive to condensation; water repellent; shape and tension-retentive molecules (absorb ball impacts, water damage); antistatic; return to their initial shape after distortion; non-toxic (free from phthalates); allows the ceiling to be opened and closed again whenever needed; washable; recyclable.

We in Vecta Design are convinced of the quality of our work and thus we give a 10-year warranty from the date of manufacturing to the seam welds and joints-welds, harpoon and material.

User and maintenance manual

Stretch material ceilings are received from the factory in sealed 5 layer cardboard cartons. Please handle cartons with care. Ceilings can only be installed indoors, in clean and free of dust rooms. Stretch ceiling warranty applies for indoor use only. The surface where the profiles will be fixed must be smooth, flat and finished before installation of the profiles. The stretched ceiling should only be installed if the wet work is completed and dry, the space is enclosed weathertight and dust-free, all painting and wall covering is completed and dry, the work of other trades is completed included electrical work, sprinkler systems, HVAC, etc. If ceiling cartons are subject to cold, it is most important that they rest for 24 hours in a warm environment before opening. Do not throw the box, it can break the ceiling. The stretch ceilings are custom made and it is imperative that only authorized Vecta Design installers perform installation and dismantling of Vecta ceilings in accordance with their training. We recommend that you wear at each processing step clean soft gloves to prevent grease or scratches from fingernails. Such damages are difficult or impossible to fix. Storing Vecta Design stretch ceilings: Protect them from direct sunlight and store in a dry place at room temperature between +18 and +22 degrees Celsius. Otherwise, cracks or rides may appear while opening the ceiling.

- Keep sharp objects away from stretch ceilings, handle ceilings with care.

- The warranty does not apply to the Vecta ceilings which have become unusable in the case of misuse and external influences, such as the effects of high temperature and use in lamps bulbs exceeding 60 watts (for general lighting) and more than 35W (for halogen lamps); all mechanical damages; influence from chemically aggressive products (varnishes, paints, solvents, adhesives, etc); operation of the ceiling in an unheated room (temperature less than 0 degrees Celsius), leakage. In such cases, the Customer loses the right to the warranty service and the right to make a complaint.

- Directional embedded spotlights are generally compatible with Vecta ceilings when the diffused heat is greater than 50v C, it is obligatory to place an insulating ring between the



rose of the spot and Vecta ceiling. Spots that transmit more than 60v C to the metallic rose are not compatible with Vecta Design stretch ceilings, even equipped with insulating rings. Lighting bulbs can be reached by hand without taking down the ceiling.

- Mechanical ventilation must be adjusted to ensure that air inlet and air extraction is balanced.

- Warranty does not apply to the change of color in case of nicotine exposure

- In normal use, a Vecta ceiling does not need to be cleaned. If the ceiling were to be stained, it can be cleaned with a special stretch ceiling cleaner and a soft microfiber cloth.

- Stretch ceiling is impermeable and helps prevent or minimize water damage. In case of water damage from above, do not remove the water, call licensed stretch ceilings installer.

- to install an additional new lighting or technical equipment, call licensed stretch ceiling installer

- Do not open the stretch ceiling yourself!

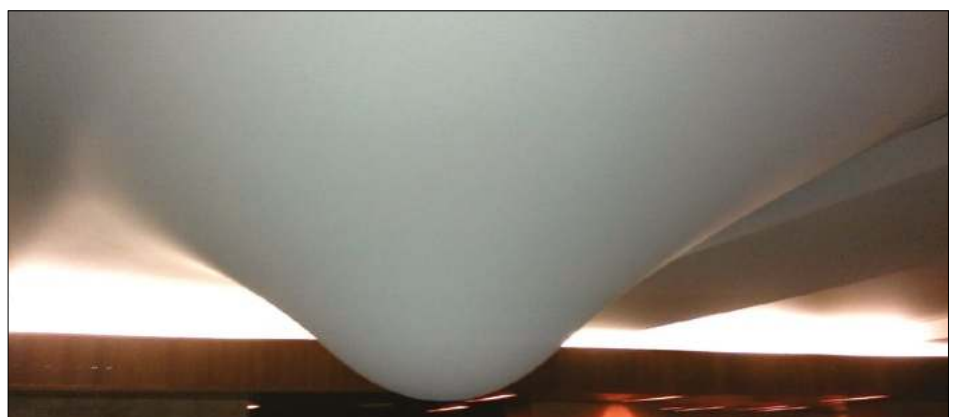
- All stretch ceiling modifications must be done by a licensed installer.

- For all other maintenance questions



please contact Vecta Design representative for consultation by phone **+372-44-23-023** or by e-mail: info@vectadesign.com

In the event of any breach of the Vecta Design warranty, the customer is bound to notify Vecta Design within 14 days from the date of the discovery of manufacturers or installers breach (whether because of defective materials, production faults or otherwise) the manufacturers liability shall be limited to replacement of the products in a reasonable time. In case of not following above mentioned stretch ceilings recommendations of exploitation or maintenance manual, complaints will not be compensated.



Certificates and tests - stretch ceilings

- EC Certificate of Conformity: 1488-CPR-0342/W
- Test for Surface Burning Characteristics of Building Materials UL723: 20140529 - R27742: Conclusion- meet the requirement of UL723: 20140529 - R27742
- Resistance of Semi-Rigid PVC to Microorganisms RFLT 2608/PA-09-068: Resisted growth throughout testing
- Dimensional stability after exposure to humidity N021377: Conclusion- meet the requirement of EN 14716
- Water vapour Transmission: Conclusion- meet the requirement of EN 14716
- Reaction to fire tests for building products PN-EN 13823: 2010: Did not appear
- Fire classification of construction products and building elements EN 13501-1+A1 2010: Fire class B-s1 d0
- Fire classification of construction products and building elements EN 13501-1 2002: Fire class B-s2 d0
- The emission of total volatile organic compounds (TVOC) ISO 16000: A+
- Measurement of sound absorption for perforated stretch ceilings EN ISO 354: Class A
- Migration of Heavy Metals EN 12149: Passed
- Breaking strength and elongation at break PN-EN 14716: 2008: Conclusion- meet the requirement of EN 14716
- Mass per unit area and thickness of ceilings PN-EN 14716: 2008 Annex B: Conclusion- meet the requirement of EN 14716
- Heat shrinkage PN-EN 14716: 2008 Annex E: Conclusion- meet the requirement of EN 14716
- Determination of operating stress PN-EN 14716: 2008 Annex B: Conclusion- meet the requirement of EN 14716
- Weldability of sheets assembled by the high frequency welding process PN-EN 14716: 2008 Annex F: Conclusion- meet the requirement of EN 14716
- Tests for colour fastness ISO 105-B02:2006 Met.3 Conclusion- meet the requirement of EN 14716 (warranty for color fastness does not apply when fluorescent lamps or halogen lamps are used behind the ceiling material)
- Tests fo colour fastness PN-EN 20105 A02:1996 Conclusion- meet the requirement of EN 14716
- Pb LT 049/103-2001 Conclusion- meet the requirement of EN 14716



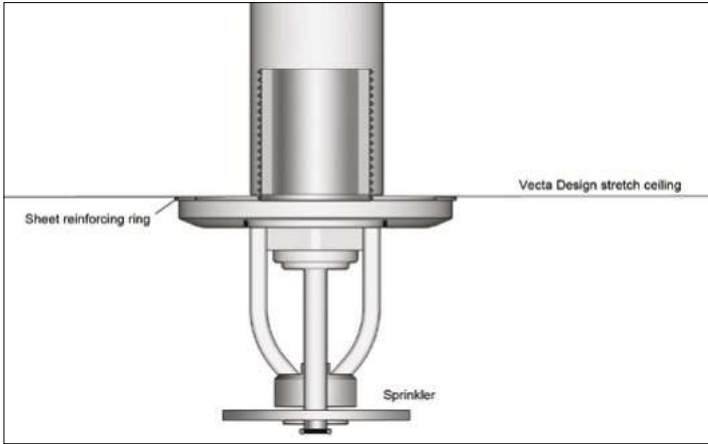
1488

Certificates and tests - profiles

Class E6EV1. A qualitatively higher level of surface treatment is provided by the satin finishing, being referred to as standard E6-finish, which is one of the most important pre-treatment operations prior to actual anodizing operation.

- Aluminium and aluminium alloys - Structural products for construction works - Technical conditions for inspection and delivery EN15088:2005
- Aluminium alloy EN AW 6060
- Aluminium alloy EN AW 6063

Sprinkler installation

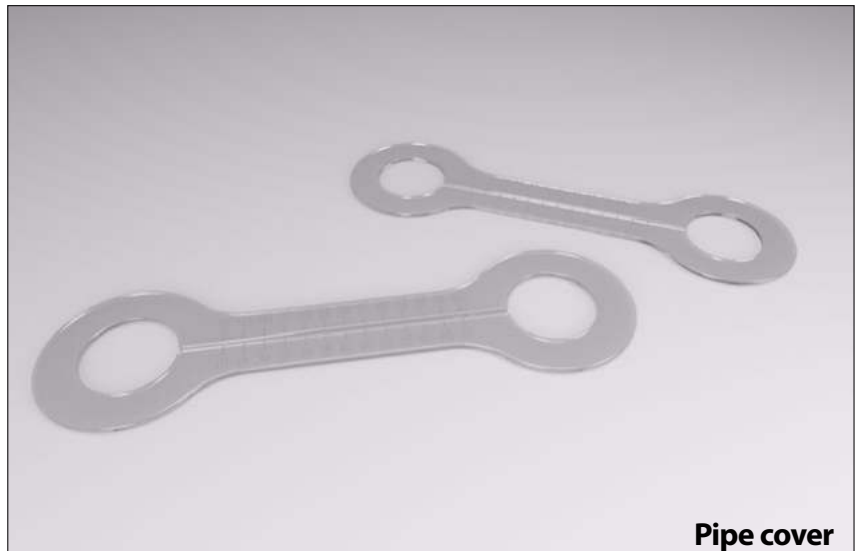


Make all required penetrations for lights, HVAC, sprinkler systems, etc. and secure the opening with a manufacturer's reinforcement ring or square using the appropriate technique for each item as recommended by the manufacturer. Reinforcement rings are available in the shape and size to fit light fixtures, sprinkler heads, HVAC, smoke detectors, etc. Sprinklers can be built into Vecta Design stretch ceilings using suitable techniques according to applicable standards.



Pipe cover installation

For water, electricity, heating pipes, etc. If pipes are less than 2cm from the wall, no pipe cover is needed. If pipes are more than 2cm from the wall, the ceiling pipe opening will be reinforced with a resistant translucent panel, circumvents the pipes. It will be added on top of the stretch ceiling. The system is not visible after installation.



Pipe cover

Spot installation

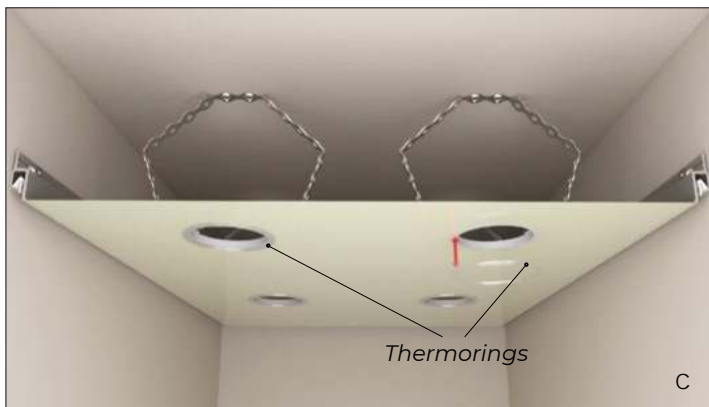
Stretch ceiling installation techniques ensure stable and aesthetic installation for all types of incorporated lighting. Spots are connected to the existing ceiling using thermorings and underconstructions.



A



B



C



D



1. Perforated tape (CP 07)

2. Halogen lamp

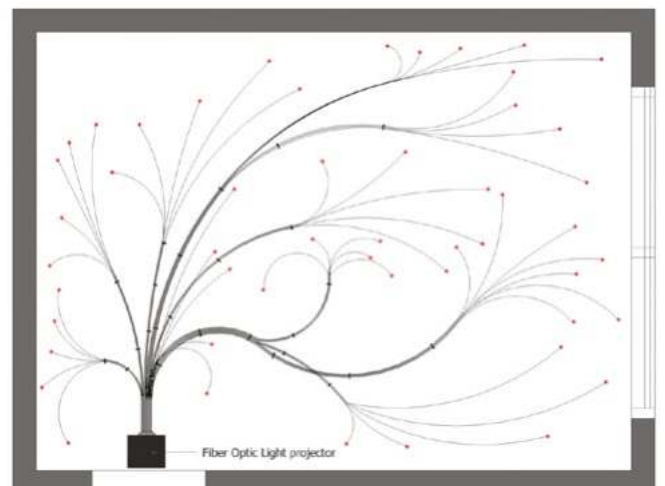
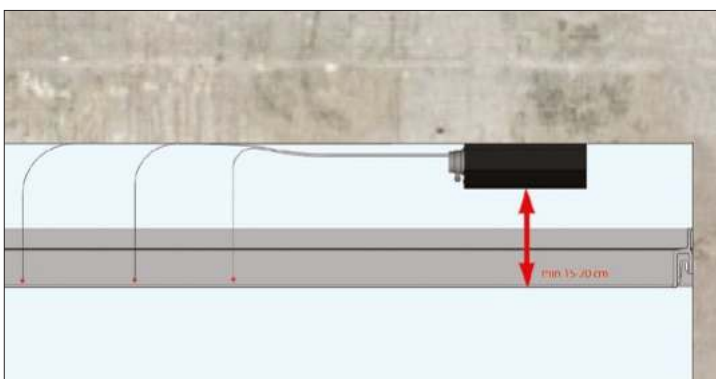
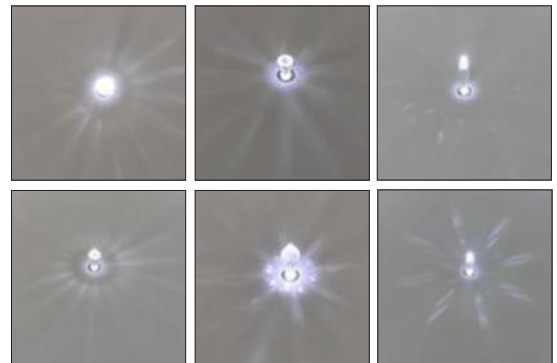
3. Underconstruction

4. Stretch ceiling

5. Thermoring

Star sky installation

Star sky installation with fiber optic and light engine or with 24V LED crystals. For the installation of the crystal, a special fiber optic LE-600 is used (1 LE-600=1 crystal) LE-600 is sold in meters, the amount calculation equals to each crystal distance from the light engine. Crystals are used with V8 underconductor.



Extraordinary solutions

Glossy panel - A panel with backlit (optional) and eye-catching patterns, covered with three types of metal shine embossing. Choose a material with golden, silver or copper gloss effect and among different designs.

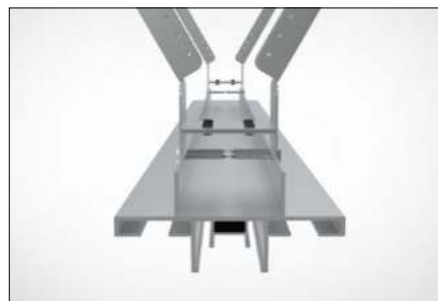


Vecta Support System



Support system - Installing the profiles as well as adjusting the height evenly is with our Support system:

- fast and worry-free task
- professional and easy
- functional and convenient



Creating a perfectly smooth and straight ceiling, corners, niches can be a real headache because base ceiling imperfections are unfortunately quite common reality. But we have a solution for you – a Support system, a must-have set of tools, that will help to overcome the trickiness of creating an absolutely straight edge, lines, and surfaces in interior design.



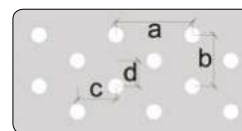
The set is made of durable galvanized steel and the dimensions can be custom made to fit the system for any profile.

Acoustic - When room acoustics needs improving, Vecta Design soundproofing ceiling solutions are an easy, safe and effective way to make any space acoustical quality better. Perforated stretch material is a great sound absorber and when used with an absorption sheet the rated acoustics class is A. We offer two kinds of absorbents with a density of 25 kg/m³: the thickness of 30 mm and 50mm. Build a whole acoustic ceiling or add acoustic (Silent) panels to the space in order to create quieter areas and zones in larger spaces.


Microperforation Volans

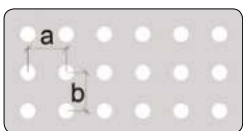
a - 1,8 mm | Holes: 300 000/m²
 b - 1,8 mm | Hole diameter: 0,1 mm
 ø - 0,1 mm

Max perforation width 200 cm


Macroperforation Cetus

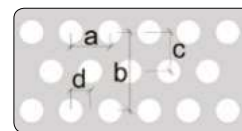
a - 8 mm | Holes: 52 000/m²
 b - 5 mm | Hole diameter: 1 mm
 c - 4 mm
 d - 2,5 mm
 ø - 1 mm

Max perforation width 200 cm


Microperforation Volans Premium

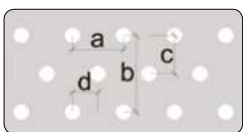
a - 1,8 mm | Holes: 300 000/m²
 b - 1,8 mm | Hole diameter: 0,15 mm
 ø - 0,15 mm

Max perforation width 200 cm


Macroperforation Libra

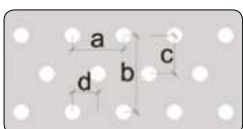
a - 2,1 mm | Holes: 254 000/m²
 b - 3,63 mm | Hole diameter: 1,3 mm
 c - 1,82 mm
 d - 1,05 mm
 ø - 1,3 mm

Max perforation width 160 cm


Microperforation Auriga

a - 2 mm | Holes: 275 000/m²
 b - 3,6 mm | Hole diameter: 0,1 mm
 c - 1,8 mm
 d - 1 mm
 ø - 0,1 mm

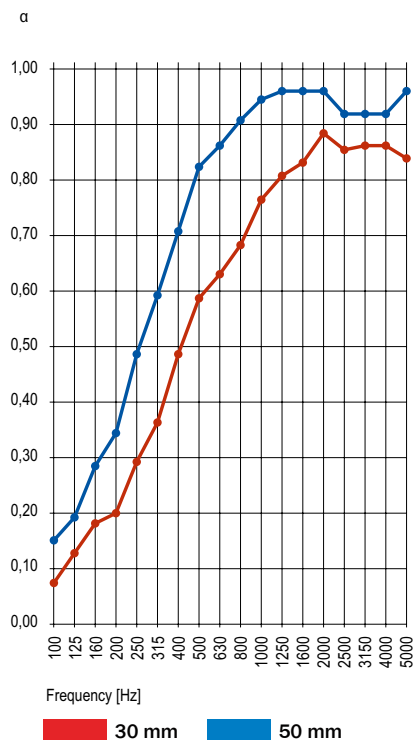
Max perforation width 200 cm


Microperforation Orion

a - 2 mm | Holes: 275 000/m²
 b - 3,6 mm | Hole diameter: 0,30 mm
 c - 1,8 mm
 d - 1 mm
 ø - 0,3 mm

Max perforation width 200 cm

sound



Frequency [Hz]	Reverberation times, [S]		Sound absorption coefficient, α _s	Expanded uncertainty, U	Effective degrees of freedom	Coverage factor	Coverage probability, [%]
	Empty room, T ₁	Room with sample, T ₂					
100	12,7	9,3 / 7,2	0,07 / 0,15	0,02 / 0,01	30 / 34	2,09 / 2,08	95,45
125	11,6	7,3 / 6,2	0,12 / 0,19	0,01 / 0,01	29 / 26	2,09 / 2,11	
160	11,6	6,4 / 5,1	0,18 / 0,28	0,01 / 0,02	33 / 23	2,08 / 2,11	
200	11,3	5,9 / 4,4	0,20 / 0,34	0,01 / 0,02	26 / 19	2,11 / 2,14	
250	11,1	4,8 / 3,5	0,29 / 0,48	0,02 / 0,03	19 / 18	2,14 / 2,16	
315	11,5	4,3 / 3,0	0,36 / 0,59	0,01 / 0,02	26 / 20	2,11 / 2,14	
400	10,4	3,4 / 2,6	0,48 / 0,71	0,02 / 0,03	20 / 18	2,14 / 2,15	
500	9,3	2,9 / 2,3	0,58 / 0,83	0,04 / 0,04	17 / 17	2,16 / 2,16	
630	9,1	2,7 / 2,2	0,63 / 0,86	0,02 / 0,03	18 / 17	2,16 / 2,16	
800	8,4	2,5 / 2,0	0,68 / 0,91	0,02 / 0,03	18 / 18	2,15 / 2,16	
1000	7,5	2,3 / 1,9	0,77 / 0,94	0,02 / 0,02	18 / 18	2,15 / 2,15	
1250	6,0	2,0 / 1,8	0,81 / 0,96	0,02 / 0,03	19 / 19	2,15 / 2,15	
1600	5,7	2,0 / 1,8	0,83 / 0,96	0,02 / 0,03	20 / 18	2,14 / 2,16	
2000	5,3	1,8 / 1,7	0,88 / 0,96	0,01 / 0,02	20 / 20	2,14 / 2,14	
2500	4,4	1,8 / 1,7	0,85 / 0,92	0,02 / 0,02	19 / 19	2,14 / 2,14	
3150	3,6	1,6 / 1,5	0,86 / 0,92	0,01 / 0,02	23 / 19	2,12 / 2,15	
4000	2,9	1,4 / 1,4	0,86 / 0,92	0,02 / 0,02	22 / 23	2,12 / 2,11	
5000	2,3	1,3 / 1,2	0,83 / 0,96	0,02 / 0,02	25 / 23	2,11 / 2,11	

Sound absorption rating

With sound absorption sheet*

Sound absorption rating according to ISO 11654:

Weighted sound absorption coefficient α_w = 0.90 (L)

Sound absorption class: A

Sound absorption rating according to ASTM C423:

Noise Reduction Coefficient NRC = 1.00

Sound Absorption Average SAA = 1.00

Without sound absorption sheet*

Sound absorption rating according to ISO 11654:

Weighted sound absorption coefficient α_w = 0.45 (L)

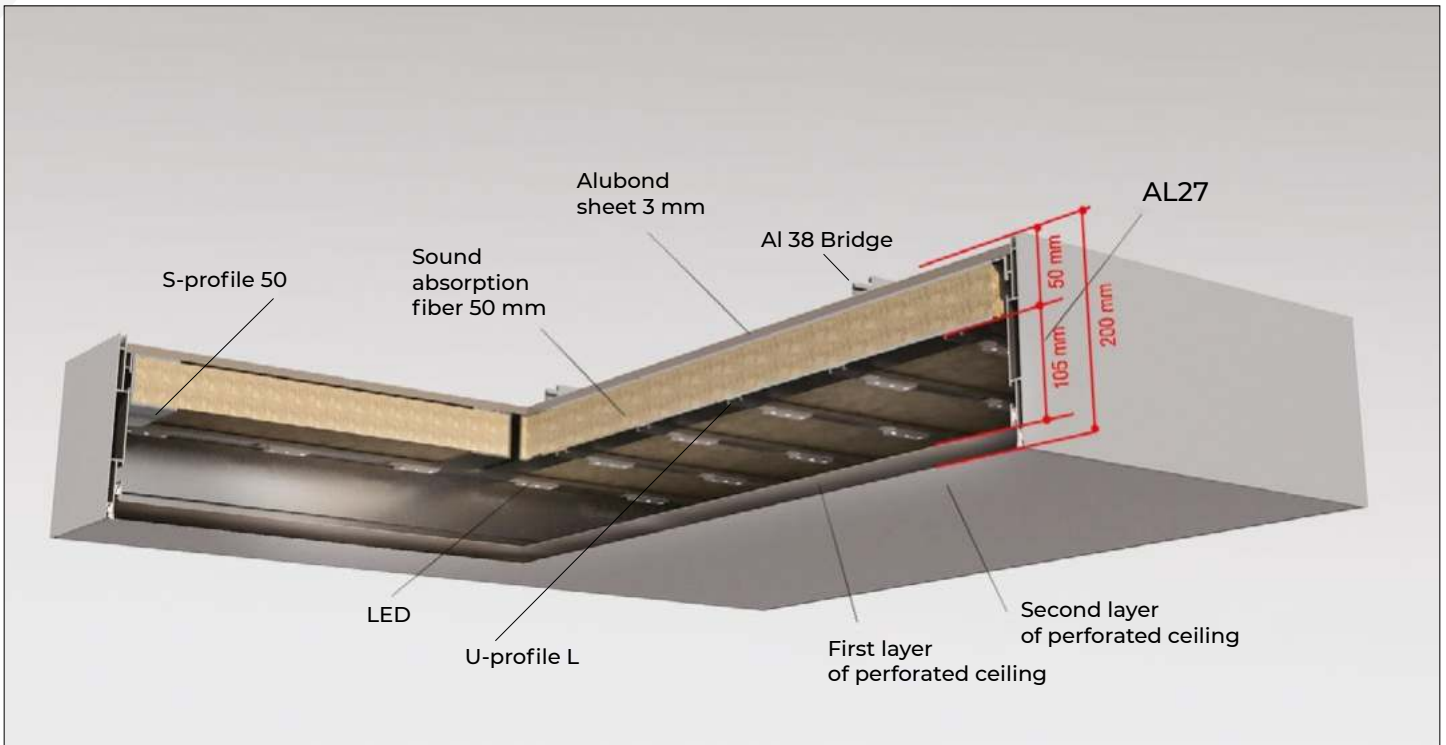
Sound absorption class: D

Sound absorption rating according to ASTM C423:

Noise Reduction Coefficient NRC = 0.55

Sound Absorption Average SAA = 0.55

* - For microperforation Auriga



Vecta Design recommends the optimal size of a perforated ceiling in one piece to be approx. 40-50 m², but the recommended size depends on the shape of the ceiling also and the perforated material chosen. If the project has many cut-outs, then also larger perforated ceilings can be made, because the penetration is much smaller if there are more ceiling mounting points. The perforated ceiling is reduced less than the ordinary stretch ceiling and this puts the limits to the maximum size of the ceilings for the result to be flat and durably beautiful.

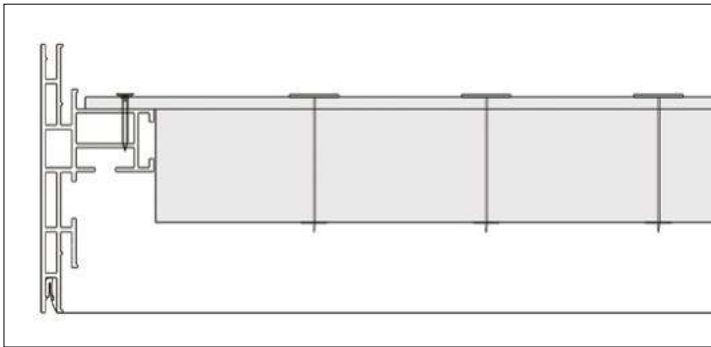
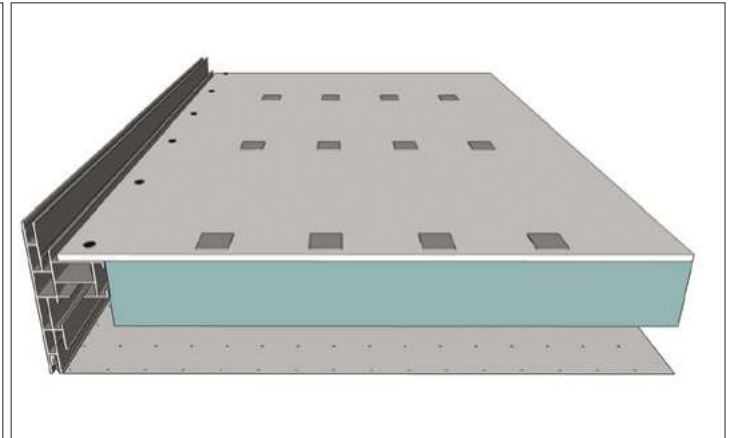
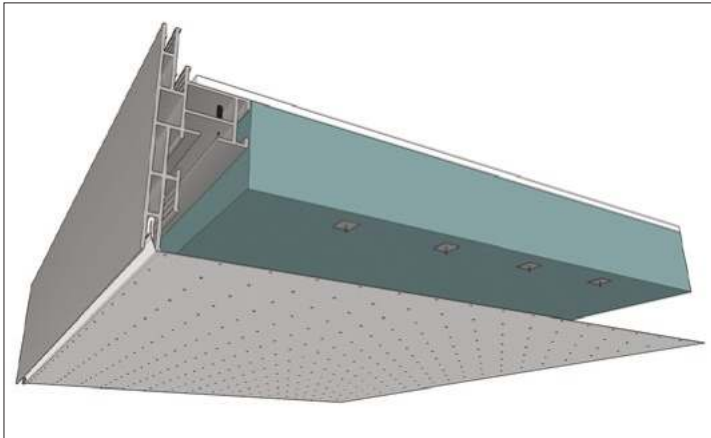
The bigger the perforated holes the better the product sound absorption qualities. When building large public spaces, where the ceilings are high, in facilities like concert halls, sports halls, exhibition centers, cultural purpose buildings but also educational buildings – the perforations with bigger holes work perfectly well and this is also proven by the tests (like our Orion, Cetus, Crater). In case you are building rooms with lower ceilings, we recommend solutions with smaller holes among our perforated materials (Volans Premium, Volans, Auriga). All our acoustic perforated solutions are suitable to use to cover the whole ceilings, but also to make panels and modules for the ceilings and on the walls. In case of creating a light ceiling or using a transparent material, we recommend 2 layer solution, so that LED light elements would be aesthetically covered.

Transmission rates and light power

Transmission rates for Vecta Design translucent materials:

- T-400 Pure White opacity is 34,54
- T-402 Crystal opacity is 61,37
- T-403 White opacity is 60,47
- T-405 Lumi opacity is 58,12

Whereas 100 means 100% opacity (no light passes through) and the value 0 corresponds to 100% transparency

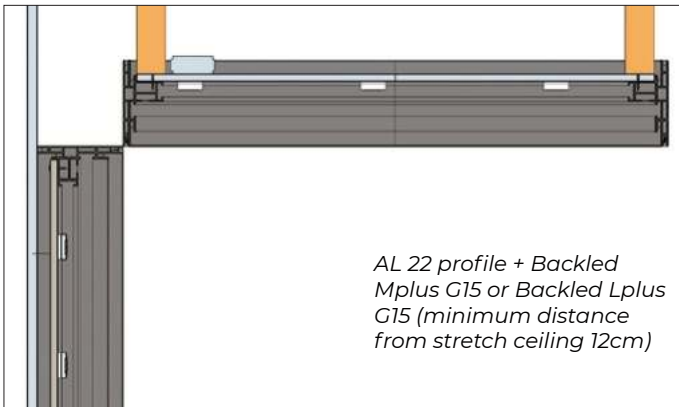


Installation of acoustic panels with AL22 EXPO profile and microperforated material

Light power in LUX

Light source	Without ceiling	With ceiling	Transmission rate in%
827 Domestic	3252	2273	69.90
TL 84 Store Light	3350	2261	67.49
D65 Daylight	2180	1439	66.01
827+D65+TL 84	8860	5849	66.02

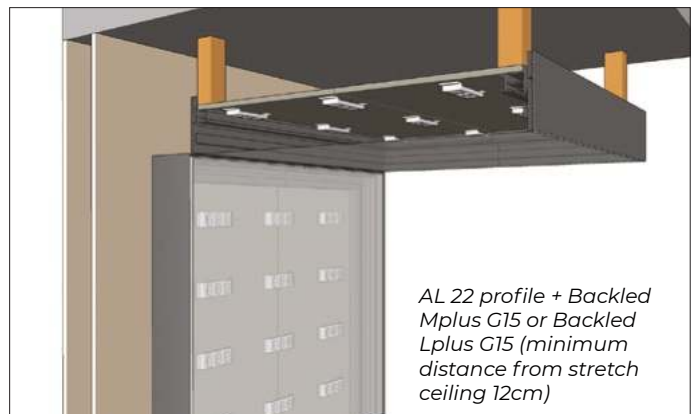
Measured at: PRODECO Stretch ceiling film Matt Translucent,
Article no. 10.40.60.0005.000 / 10.40.75.0015.000
LUX Merasurement device:
GL SPECTIS 1.0 (mini spectremeter)
Lightmeter inci. SPX driver
Item nr. 67827
Machine producer: Just Normlicht, Weilheim / Teck, Germany



AL 22 profile + Backled Mplus G15 or Backled Lplus G15 (minimum distance from stretch ceiling 12cm)



AL 22 profile + Backled XLplus G15 led (minimum distance from stretch ceiling 20cm)



AL 22 profile + Backled Mplus G15 or Backled Lplus G15 (minimum distance from stretch ceiling 12cm)

VIBRANT

Developed by Vecta Design



Elegant and sharp edge frames as both practical and beautiful interior additions will make one of the most popular leisure activity, listening music, even more enjoyable as it can bring your favorite colors, beloved art or even some great memories (when photos are printed on the canva)

right into the interior design. The speakers are integrated inside the panels. The solution can be made without any annoying wires to be seen and without complicated settings to learn as the panel will be supplied as ready to use sound system. The integrated speaker is easily adaptable with a cellphone or other smart devices by Bluetooth.



THERMO

Developed by Vecta Design



Carefully placed and cleverly located Thermo panels will guarantee the cozy and warm feeling whenever being near the panels, as inside the panels there are infrared elements integrated in it. Infrared warms the surfaces of objects without warming the air. The relative humidity in the air remains low and when the air meets a warm surface, condensation does not occur. In contrast, warm air has a high capacity to hold moisture and when it meets a cold surface, condensation will occur. This increases the likelihood of mold, wood rot, and salt damp or flaking paintwork. But there is no such threat with our Thermo panels. The panels will provide some additional warmth in approx. 4m radius. Above the meeting table or dining area, in front or next to the working table or waiting room chairs, etc. Thermo panels add supplementary comfort.

SILENT

Developed by Vecta Design



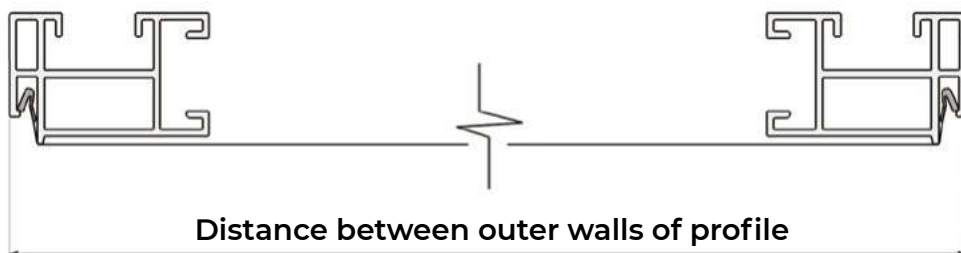
Sounds are an extremely important and valuable part of life. But there are good sounds and bad sounds. Bad is when a sound becomes noise, that can have a negative influence on our physical and mental health.

Unreasonable noise can cause stress, productivity losses in the workplace, communication difficulties and fatigue from lack of sleep, to more serious issues. Noise pollution is a serious health concern worth our attention. We offer tailor-made wall panels with maximum, class A sound-absorbing qualities and custom design, printed on the panels. The sound absorption rate will have excellent results in reducing echoes and unnecessary noise with absorption sheet (3cm or 5cm) included in the panels.

VECTA MIRROR modules have high reflectivity and can be specified as a safe alternative to conventional glass mirrors. The mirror modules are custom made to order with maximum dimensions of 300cm x 125cm and fixings as required. Material is UV printable. Round modules are not possible. Mirror material does not stretch. Mirror material is installed cold and in case of small wrinkles heated after installation. Mirror material is not allowed to be folded.



Taking dimesions for the Mirror



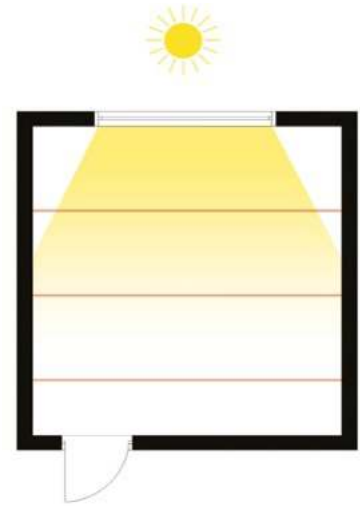
Printed ceilings. Vecta Design uses CMYK color high-quality 5m wide UV printer. Print can be applied to different stretch ceiling materials. Vecta Design does not offer print for the materials T404 and for dark materials. Print can be applied to light-colored materials only. Print on micro-perforated and acoustic materials must be specified and consulted before the order. Print on glossy materials is only on the installer's responsibility because the installation for glossy printed ceilings must be done differently. Print on glossy material will be matte finish. Welding on printed ceilings is on the visible side. There can be slight color tone differences between the original print file and the print on the stretch ceiling. The minimum quality for print file is 300 DPI.

Stretch ceiling seam directions

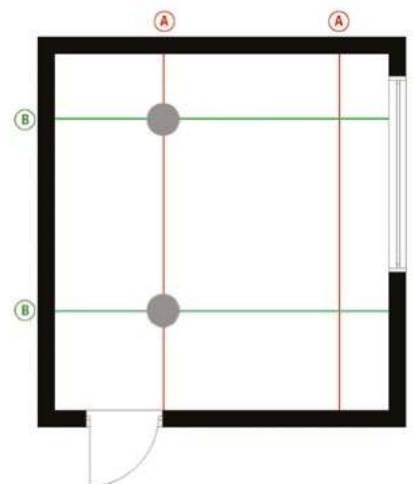
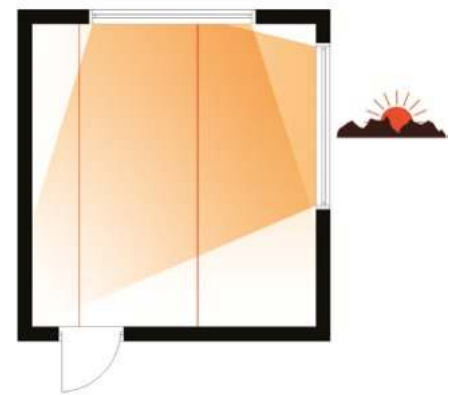
When preparing drawings make sure the seams will run in one direction. If seams run vertically on one ceiling and on another ceiling they run horizontally, it will be visually seen, as it will look like the ceilings are made from different colored materials.



Seams are parallel to the window opening. The PVC film should start from the window. The first seam should be on maximal distance from the window.

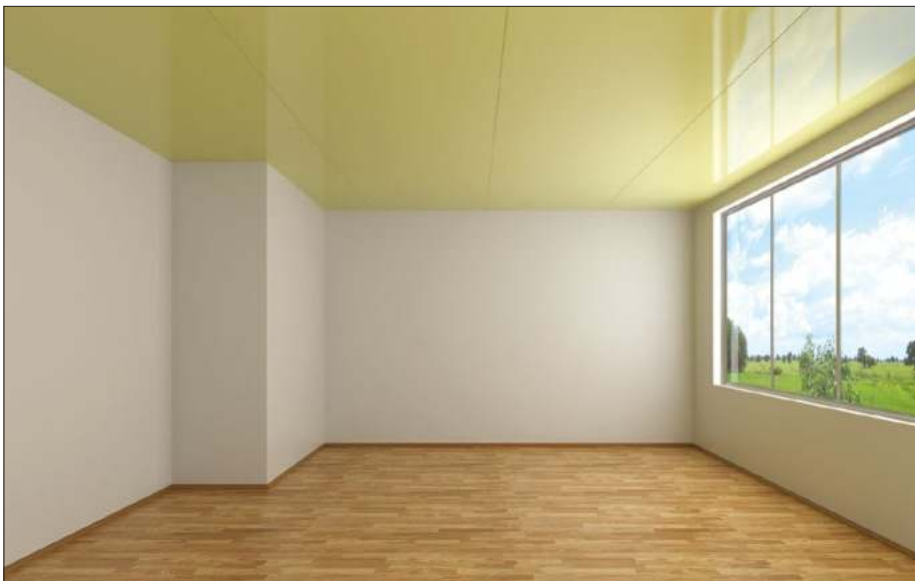
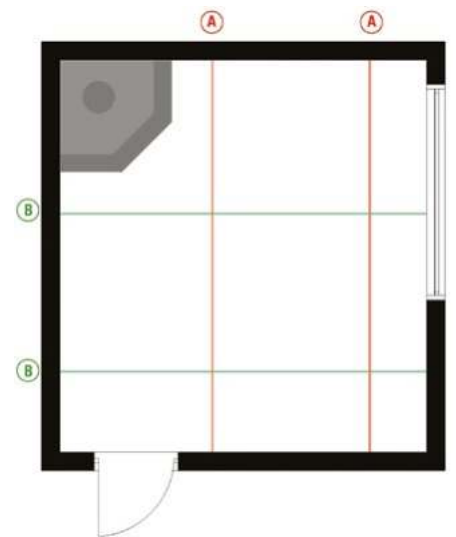
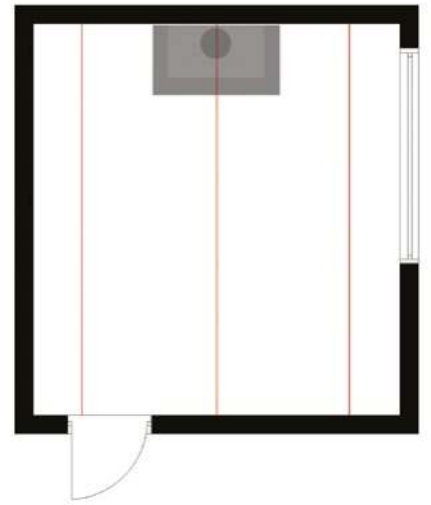


Seams of the stretch ceiling should be parallel to the window opening, through which in the evenings passes light of the setting sun.

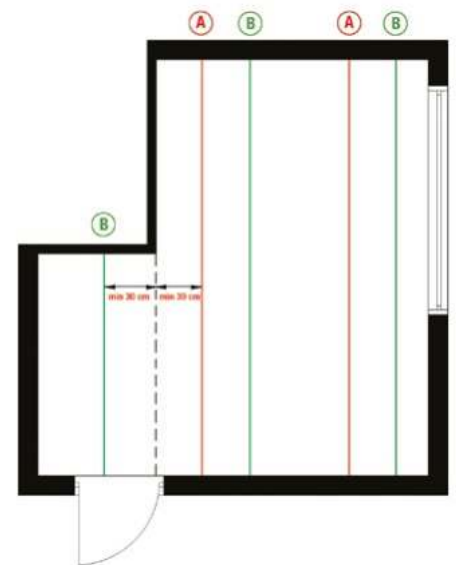




Weldings of the stretch ceiling are perpendicular to the fireplace, to avoid deformation of the weldings while heating up the ceiling. If a fireplace is in the corner, weldings can go in two directions (A, B) starting from fireplace. Seams have to be on the maximum possible distance from the fireplace.



If the room has inside corners, the distance between the side of the corner should be not less than 30 cm.



Tools and accessories



SP 11 *Installation spatular for visible profile*



SP 06 *Installation spatular for visible profile*



SP 07 *Support spatular straight*



SP 08 *Support spatular, corner*



SP 09 *Installation spatular, straight*



SP 10 *Corner installation spatular for visible profile*



SP 14 *Installation spatular, straight 400 mm*



SP 15 *Support spatular, straight*



SP 16 *Support spatular, corner*



SP 13 *Installation spatular for PVC non-harpoon system*



SP 04 *Heater 35 kW*



SP 03 *Assembly nippers*



SP 05 *Holemaker*



SP 17 *Professional assembly nippers*



CP 00 *Cleaner*

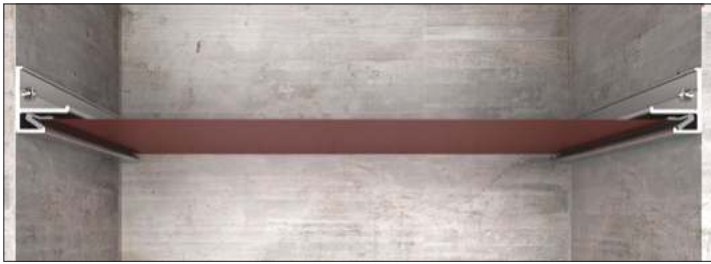


CP 01 *Cleaner*

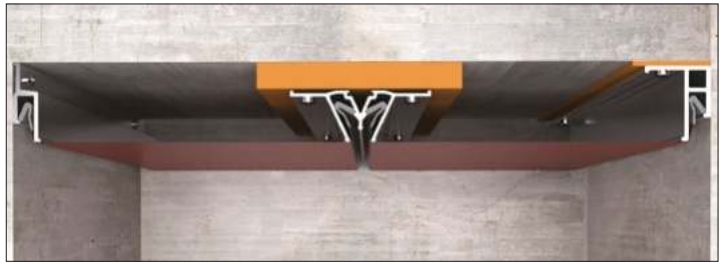


SP 18 *Scissors for cutting VEC-1-4 into an different angles*

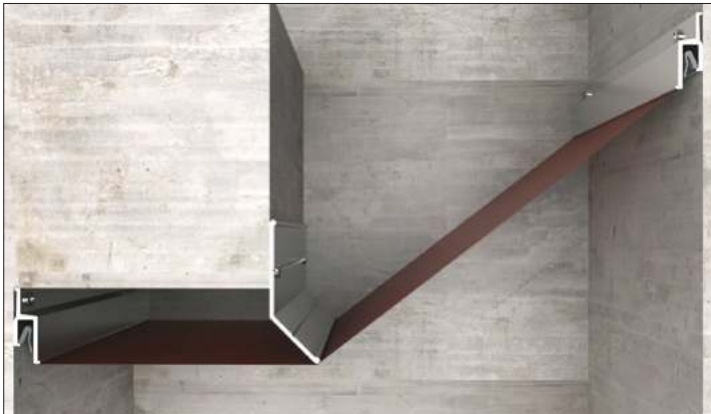
Connection of aluminum profiles



Stretch ceiling connection with the profile AL 02 S



Stretch ceilings connection with profiles AL 05, AL 03 and AL 01S



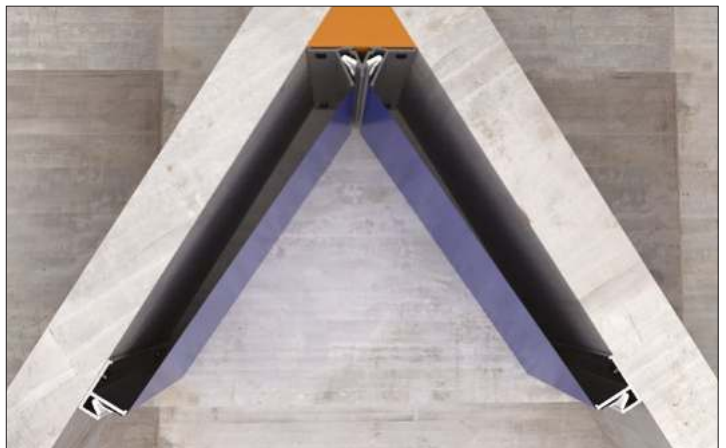
Stretch ceiling connection with profiles AL 05 and AL 06A



Stretch ceilings connection with profiles AL 05, AL 06A, AL 03 and AL 01S



Stretch ceiling connection with profiles AL 05 and AL 01S



Stretch ceilings connection with profiles AL 05 and AL 03

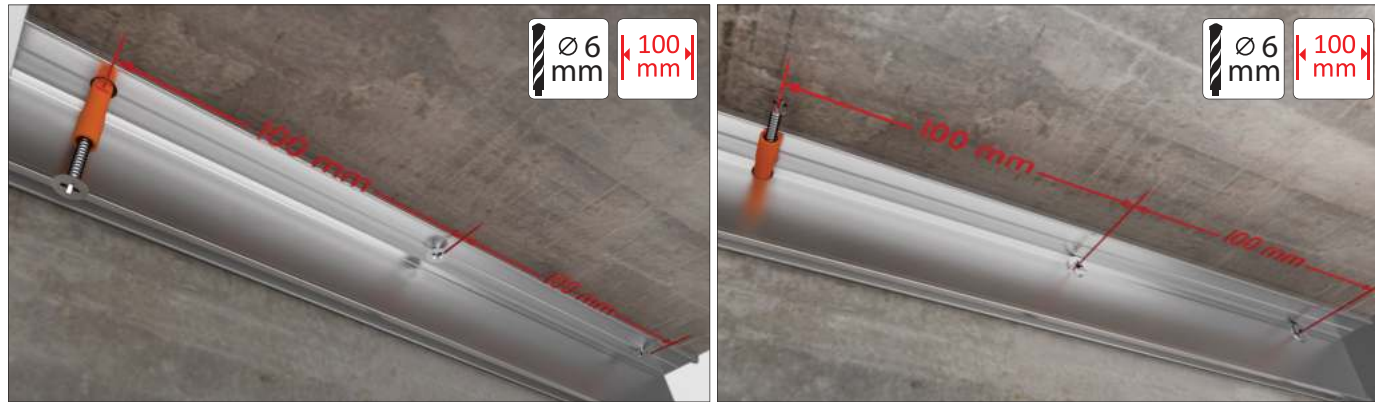


Stretch ceilings connection with profiles AL 05, AL 03 and AL 06A

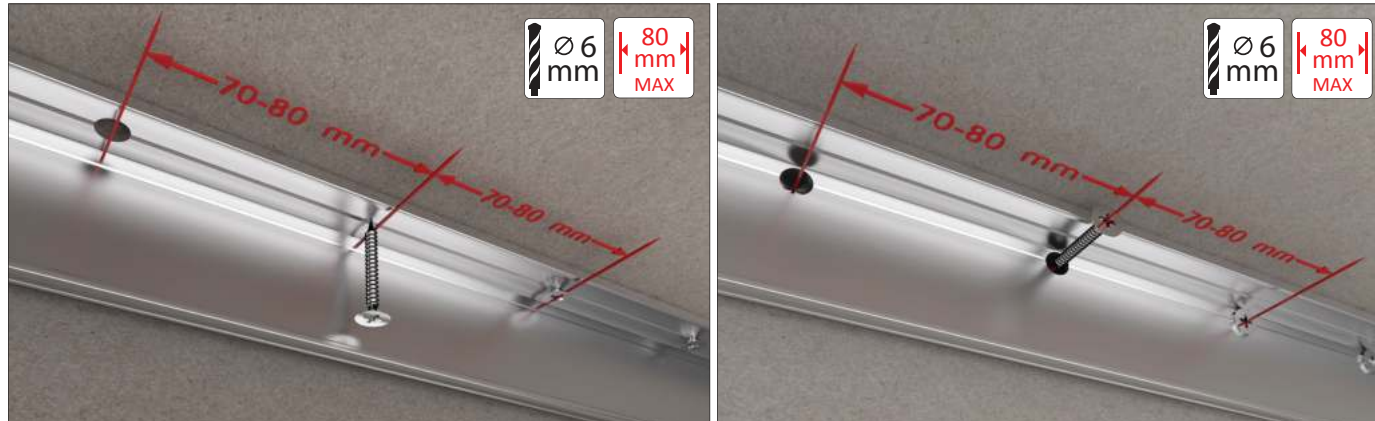


Stretch ceiling connection with profiles AL 05 and AL 01S

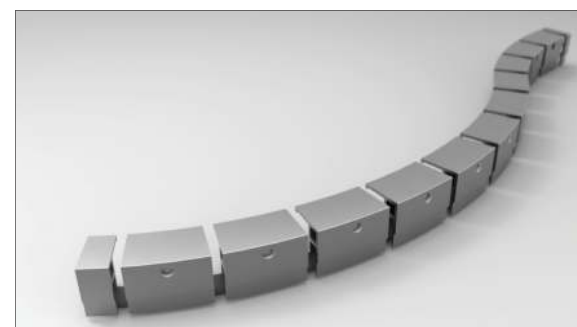
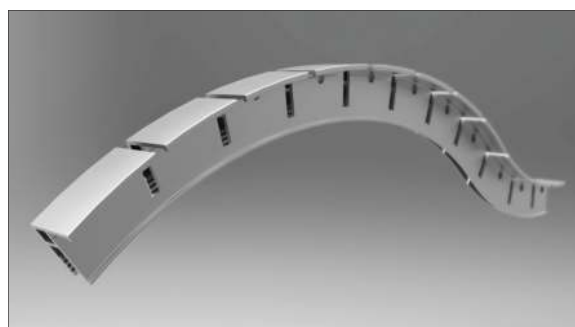
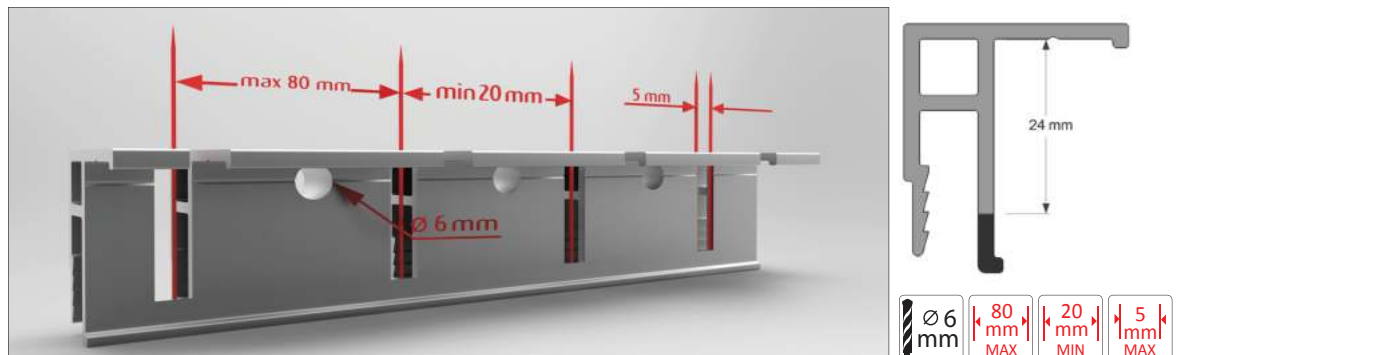
Fastening the profile to the concrete ceiling



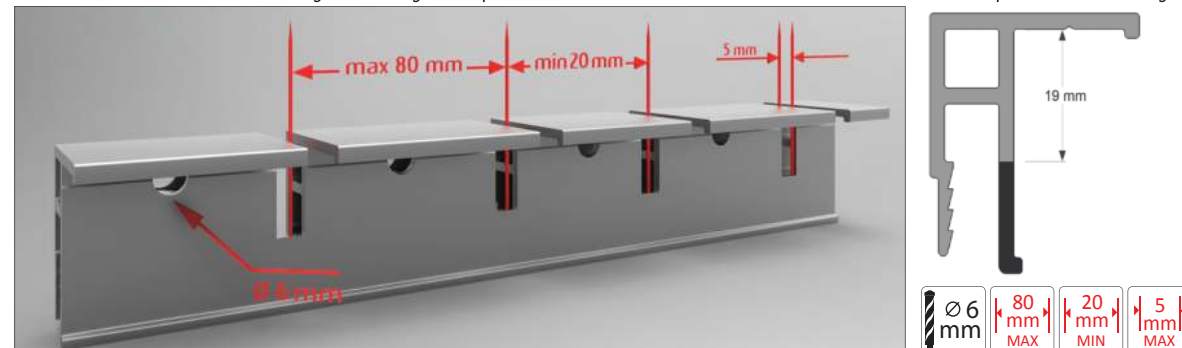
Fastening the profile to the plasterboard ceiling



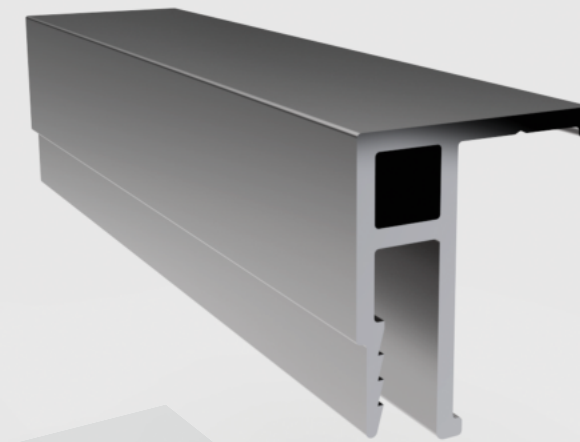
Pre-notched in the factory for easy adaptation on site to rounded and vaulted shapes vertically



Pre-notched in the factory for easy adaptation on site to rounded and vaulted shape horizontally



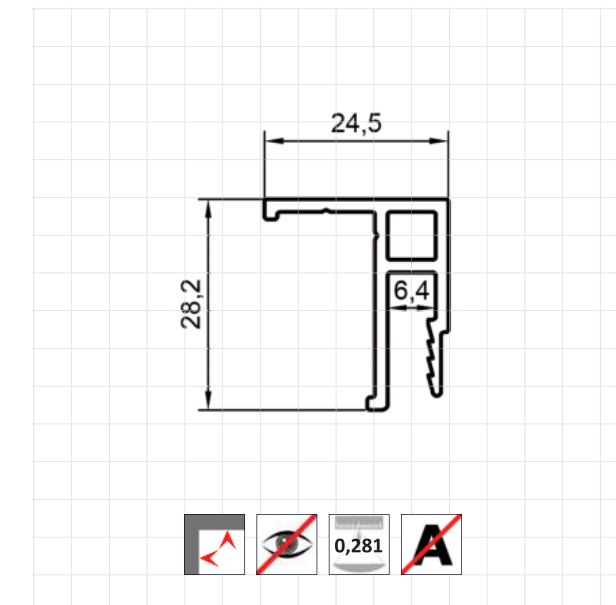
Feel free to contact in case any questions: info@vectadesign.com | phone: +372 44 23 023 | fax: +372 43 70 339



AL 01

Universal aluminum profile used with decoration strip

PROFILE REAL-SIZE DIMENSIONS



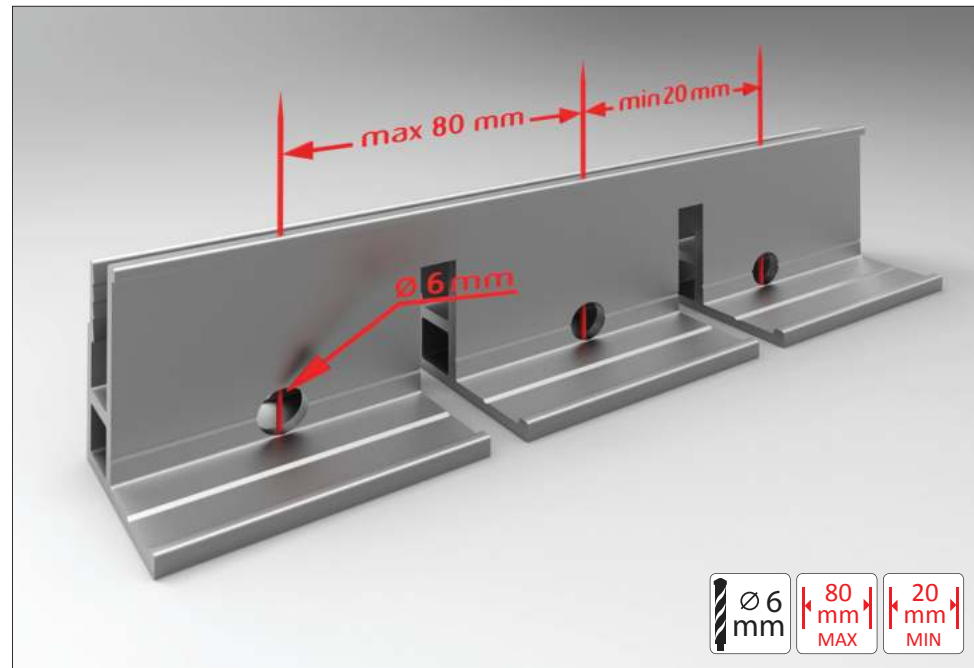
DESCRIPTION

Profile is used with decoration strip for installing stretch ceilings to the wall or to the ceiling.

Anodized profile is recommended to use in the rooms with high humidity levels (bathroom, spa). Recommended area for the installation with this profile is up to 50 m².

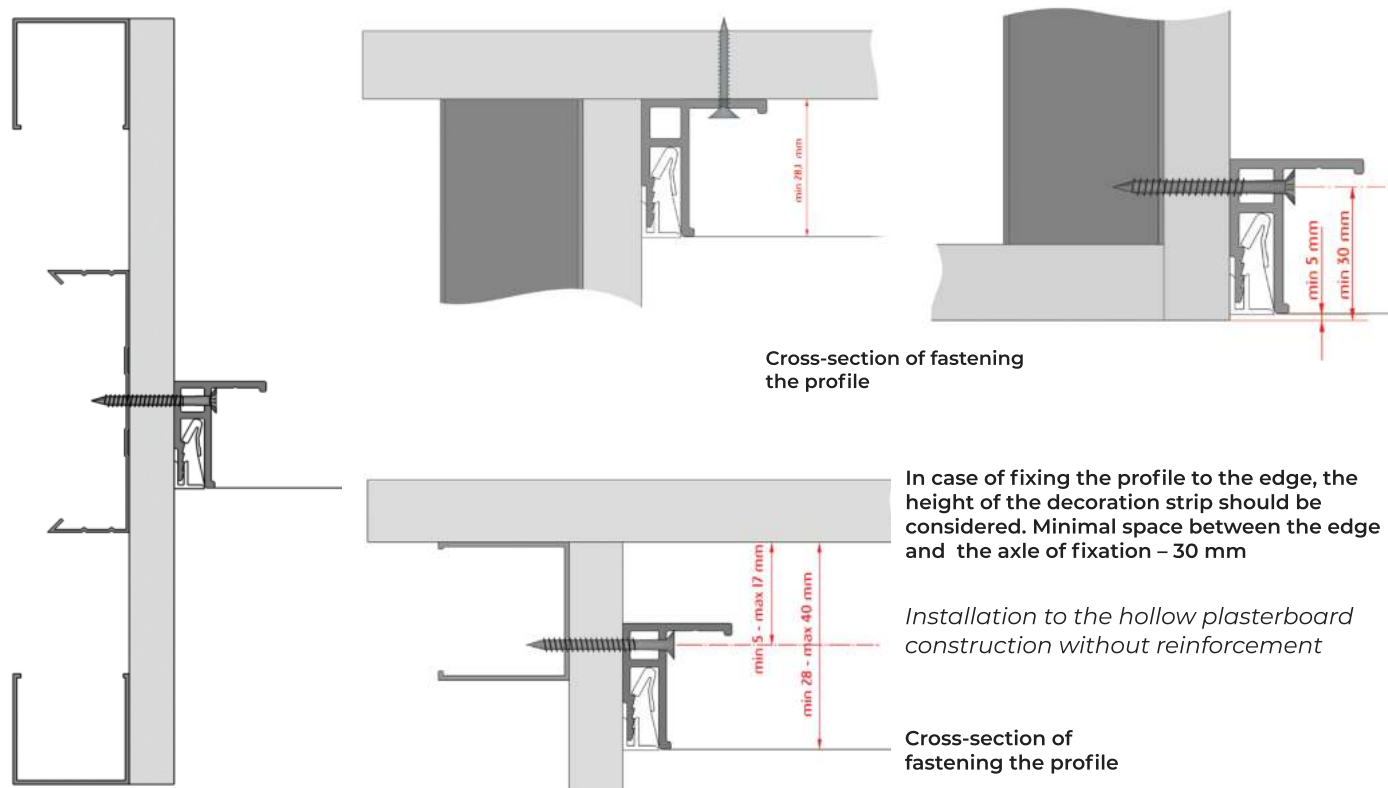
Great universal profile that is suitable for creating bent (waves) and round shape elements on the ceiling and walls. The profile frame will be aesthetically hidden behind the stretch material.

Feel free to contact in case any questions: info@vectadesign.com | phone: +372 44 23 023 | fax: +372 43 70 339

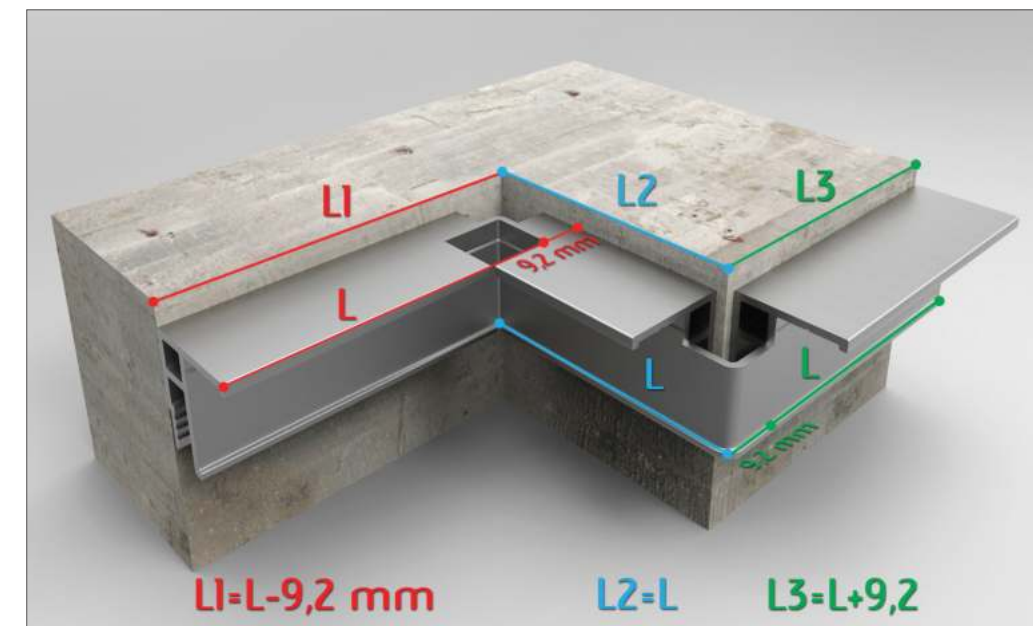
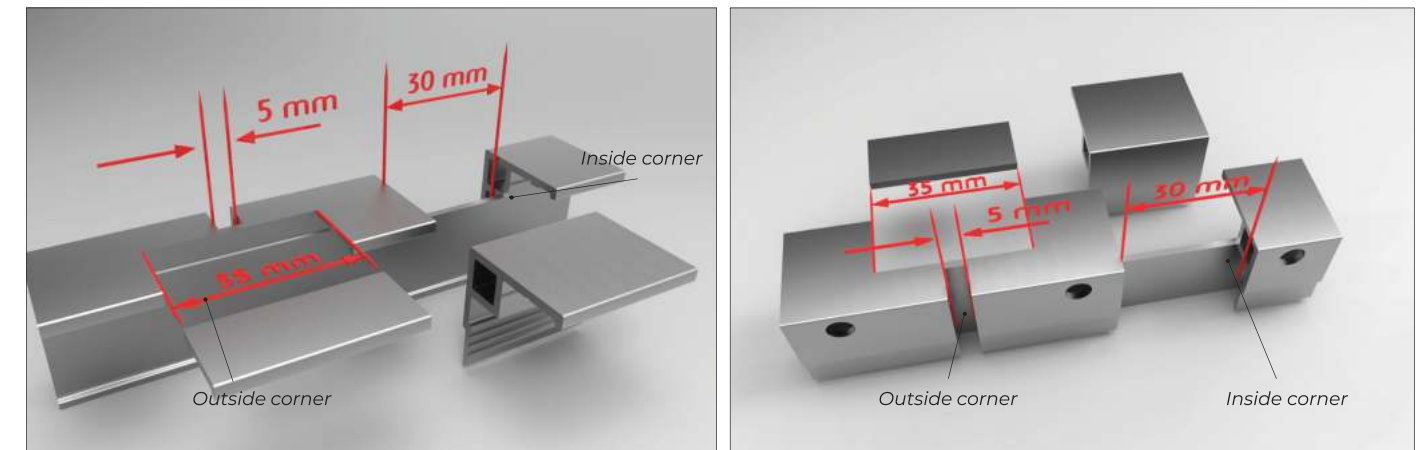


Pre-notched in the factory for easy adaptation on site to rounded and vaulted shapes

FASTENING THE PROFILE TO THE METAL FRAMEWORK AND PLASTERBOARD



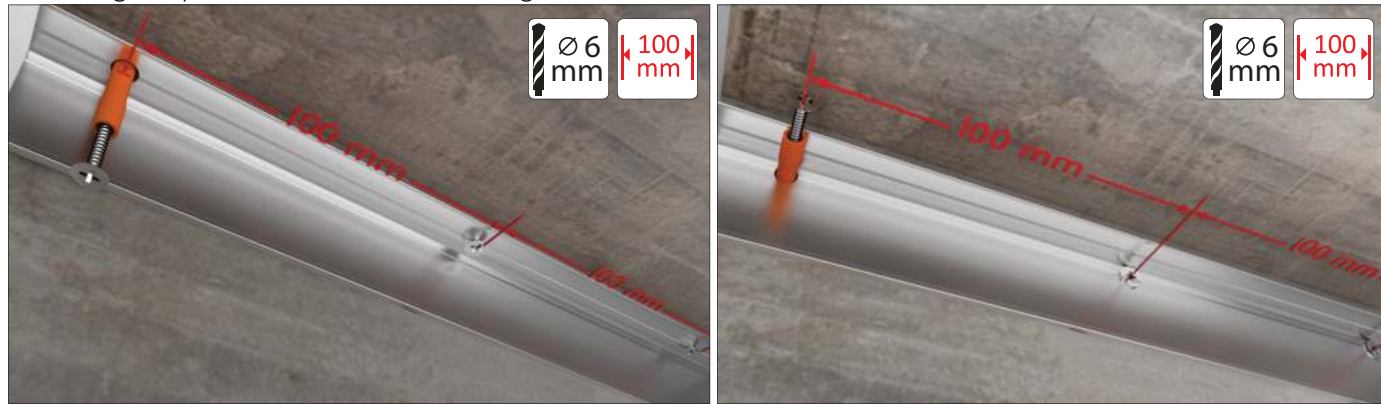
CUTTING PROFILE CORNERS



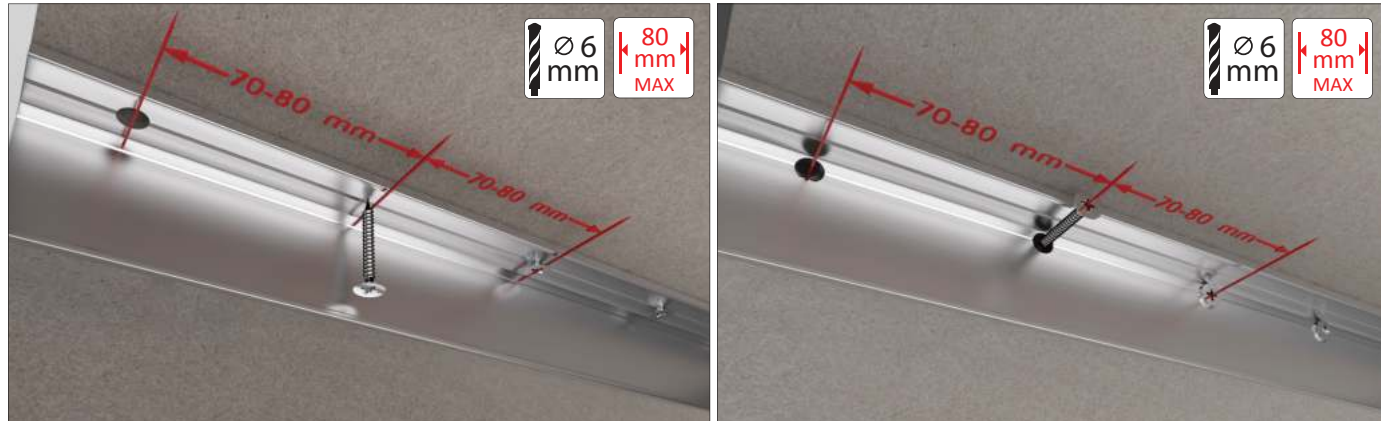
DECORATION STRIP PC 03W IN USAGET WITH AL 01



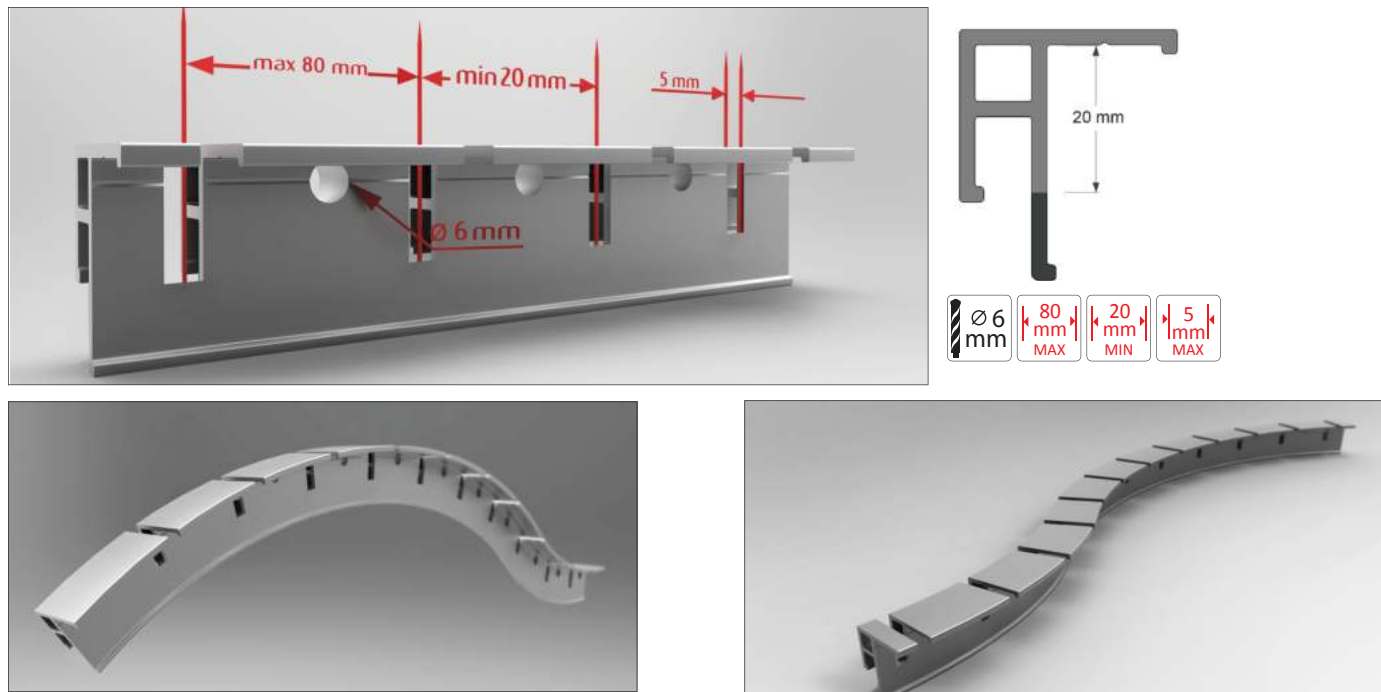
Fastening the profile to the concrete ceiling



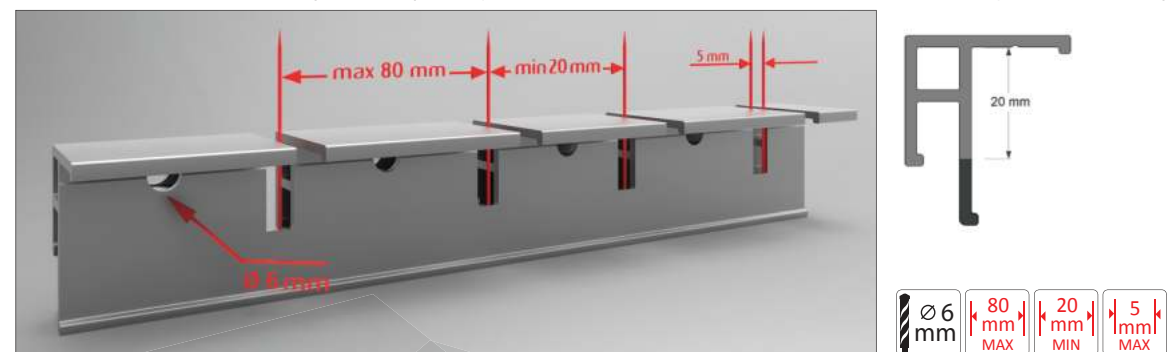
Fastening the profile to the plasterboard ceiling



Pre-notched in the factory for easy adaptation on site to rounded and vaulted shapes vertically



Pre-notched in the factory for easy adaptation on site to rounded and vaulted shape horizontally

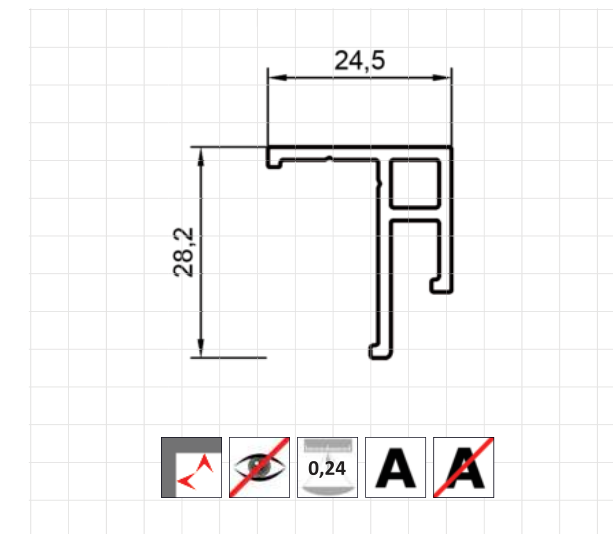


Feel free to contact in case any questions: info@vectadesign.com | phone: +372 44 23 023 | fax: +372 43 70 339

AL 01 S

Aluminum profile used without decoration strip

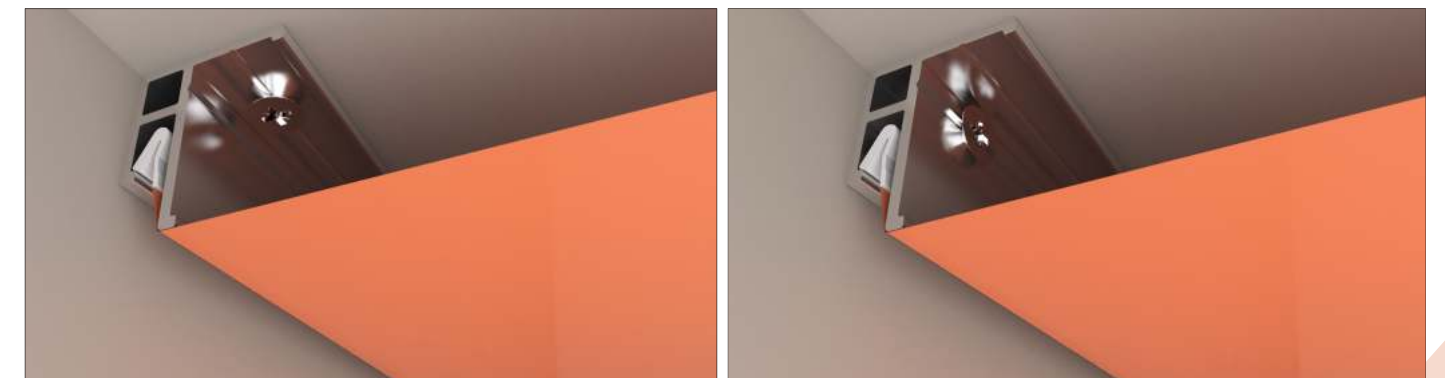
PROFILE REAL-SIZE DIMENSIONS



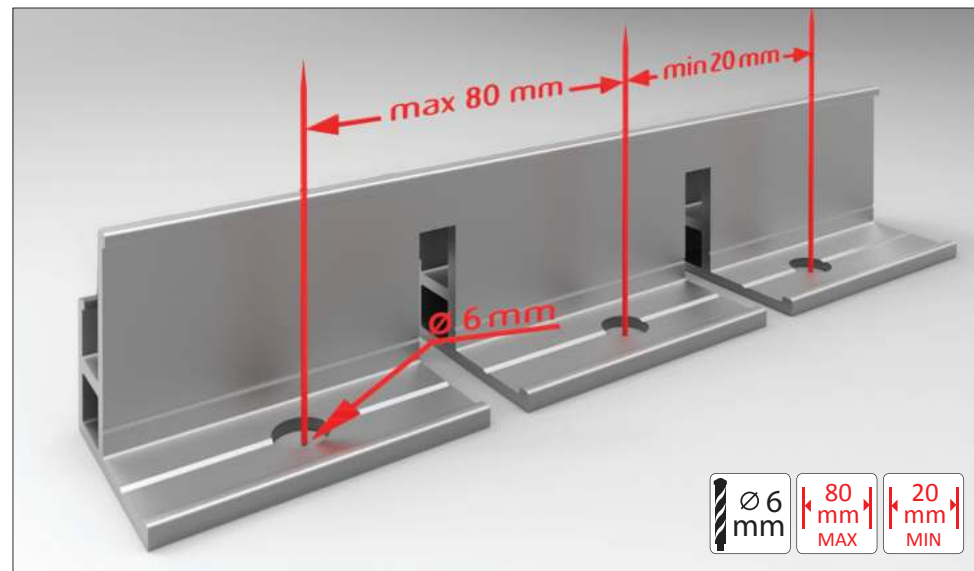
DESCRIPTION

Profile is used without decoration strip for installing stretch ceilings to the wall or ceiling, creating an impression of the ceiling floating in the air. Anodized profile is recommended to use in the rooms with high humidity level (pool, bathroom, spa). Recommended area for installation with this profile is up to 50 m². Given profile visually reduces the defects and irregularities of the walls by 1-2,5 mm. The ceiling benefits from extremely pure lines, without visible tracks.

MOUNTING PROFILE AL 01 S

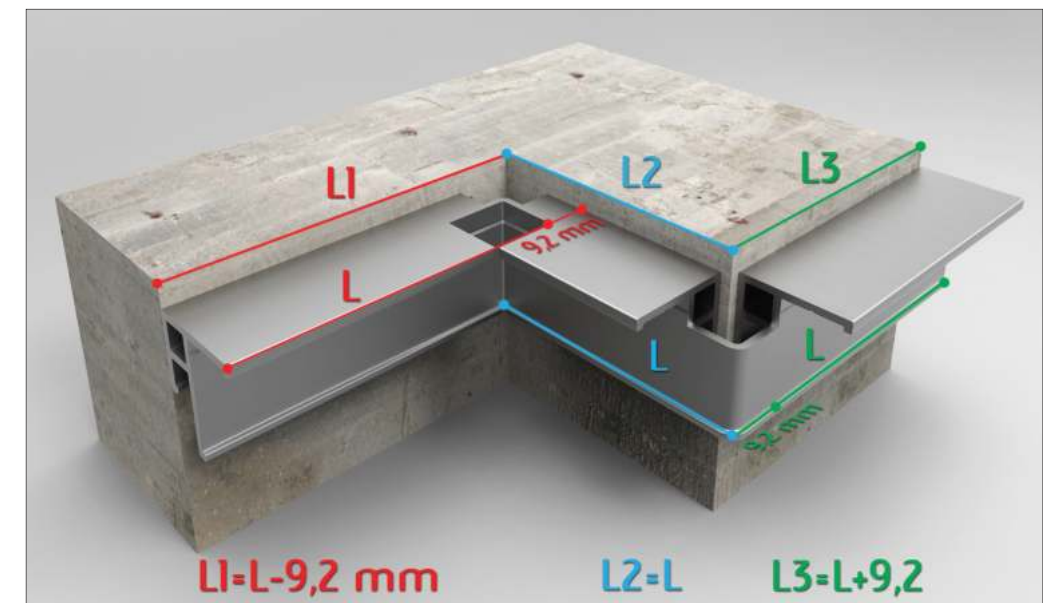
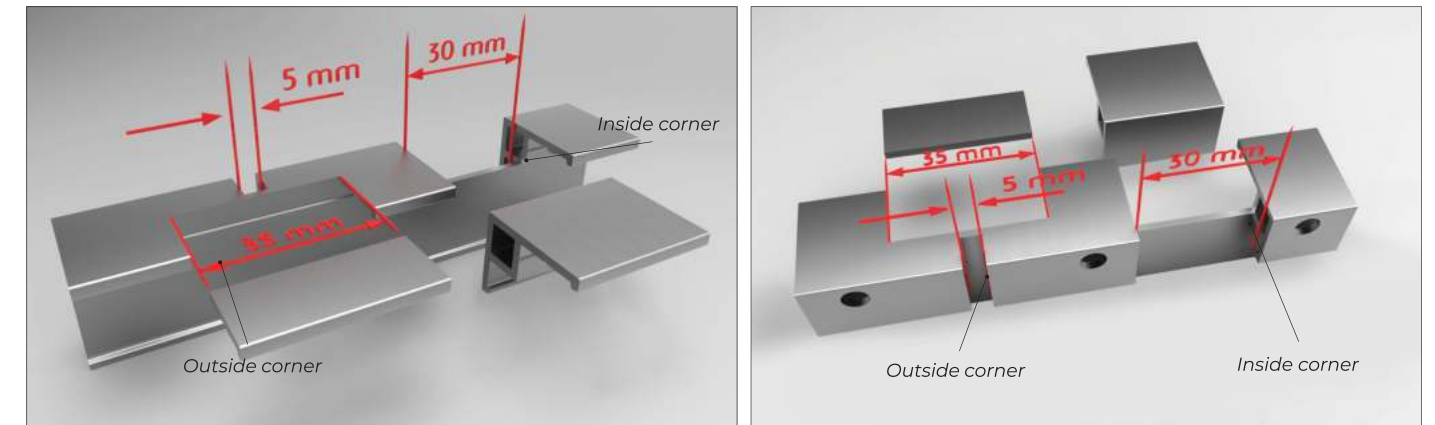


Feel free to contact in case any questions: info@vectadesign.com | phone: +372 44 23 023 | fax: +372 43 70 339

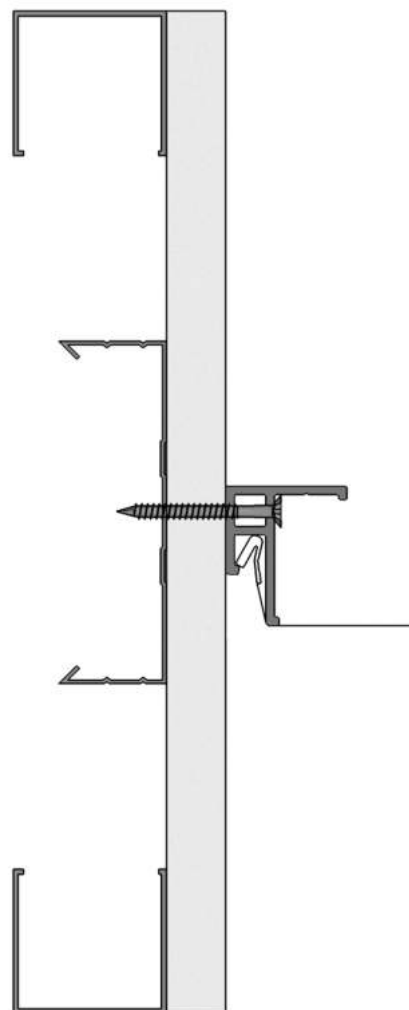


Pre-notched in the factory for easy adaptation on site to rounded and vaulted shapes

CUTTING PROFILE CORNERS

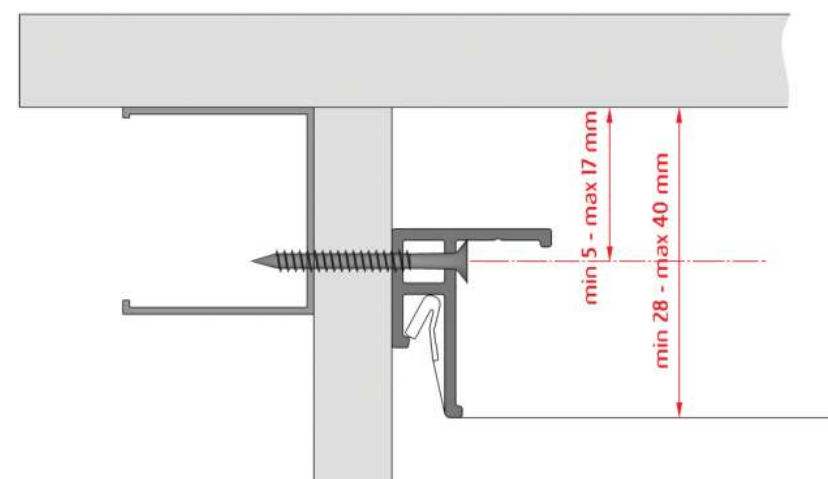


FASTENING THE PROFILE TO THE METAL FRAMEWORK AND PLASTERBOARD

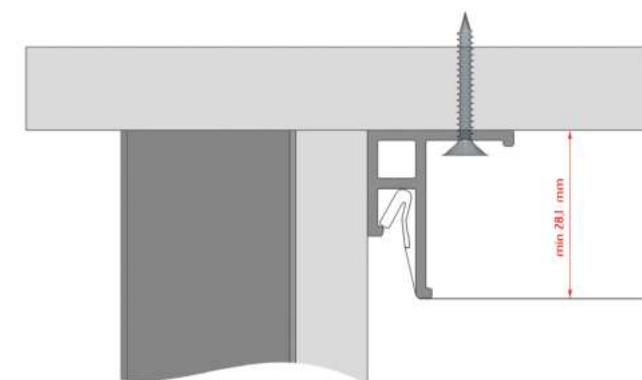


Installation to the hollow plasterboard construction without reinforcement

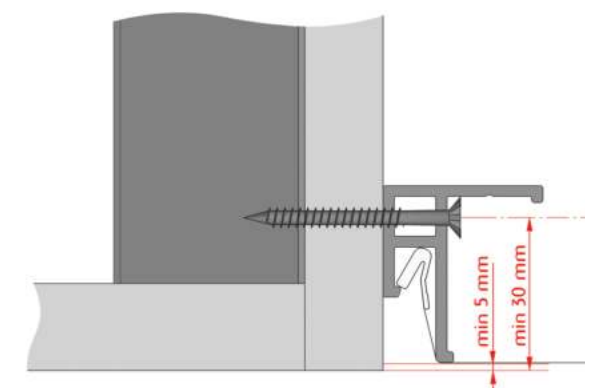
Cross-section of fastening the profile



Installation to the hollow plasterboard construction without reinforcement



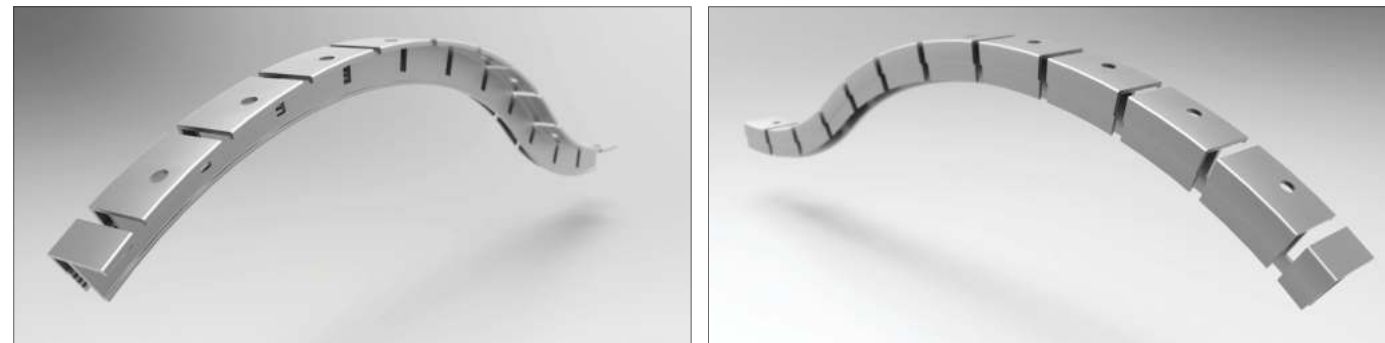
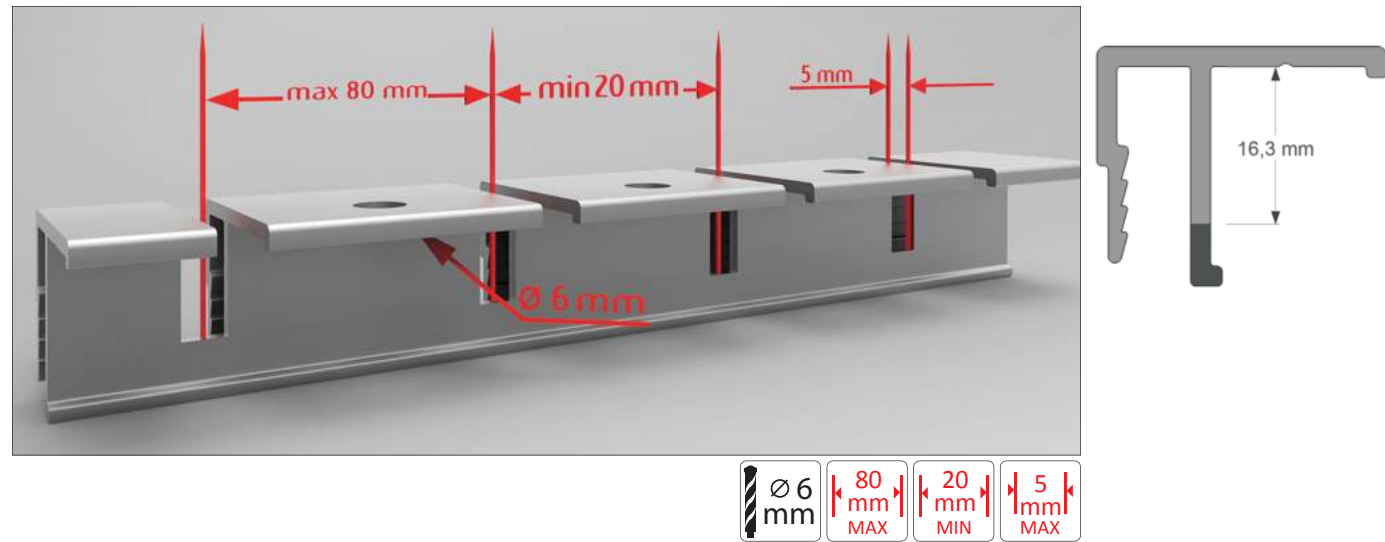
Cross-section of fastening the profile



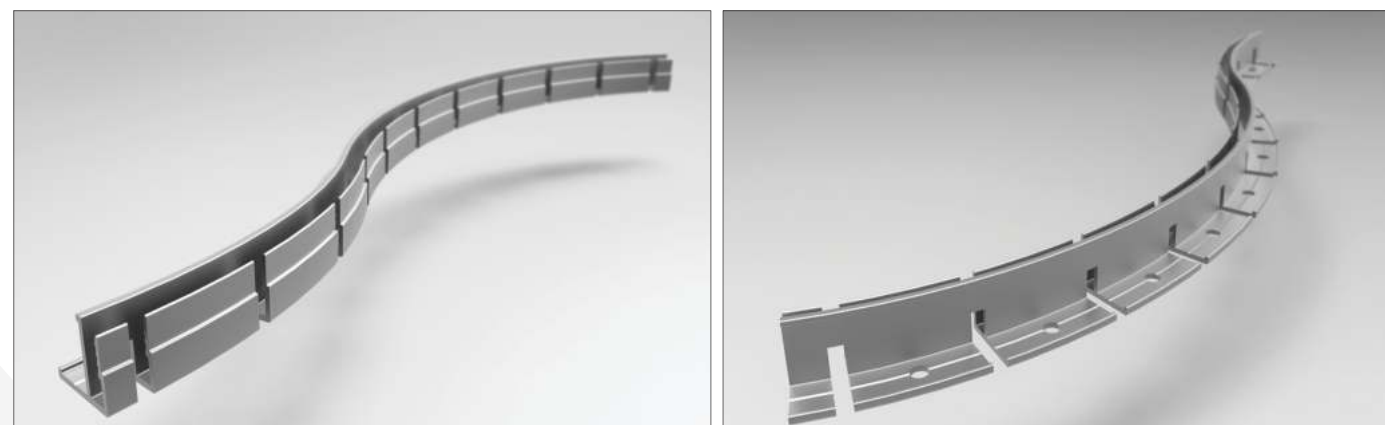
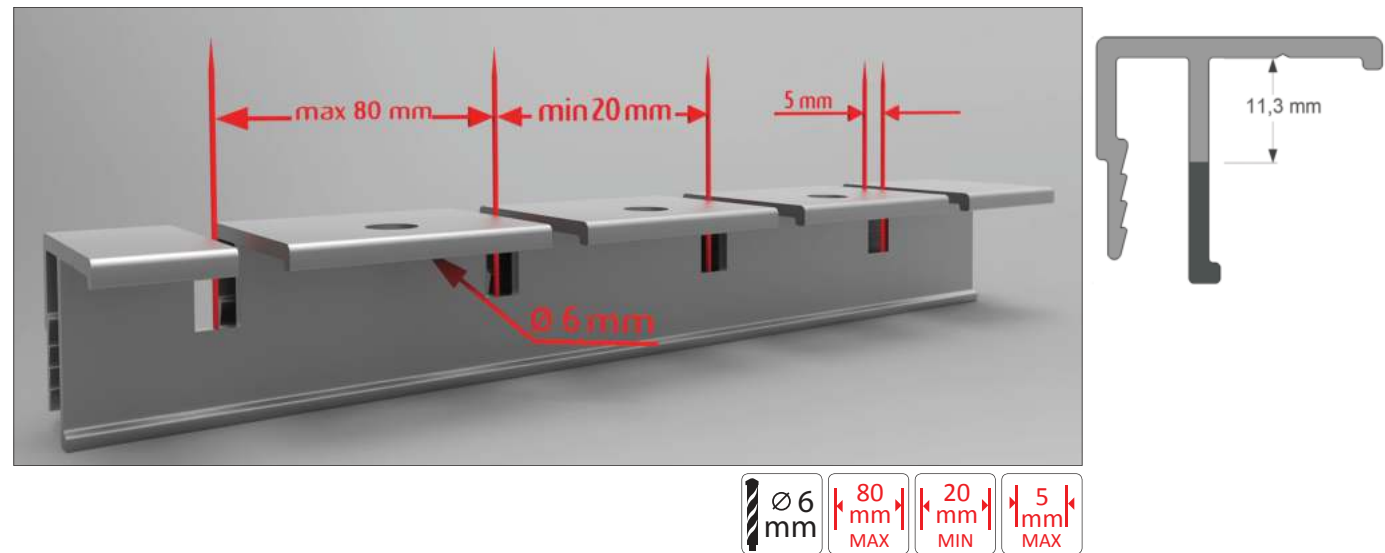
Cross-section of fastening the profile

In case of fixing the profile to the edge, the height of the decoration strip should be considered. Minimal space between the edge and the axle of fixation - 30 mm

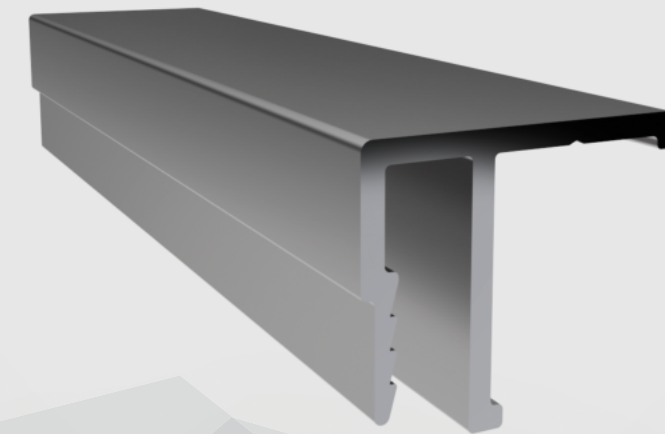
Pre-notched in the factory for easy adaptation on site to rounded and vaulted shape vertically



Pre-notched in the factory for easy adaptation on site to rounded and vaulted shape horizontally



Feel free to contact in case any questions: info@vectadesign.com | phone: +372 44 23 023 | fax: +372 43 70 339



AL 02

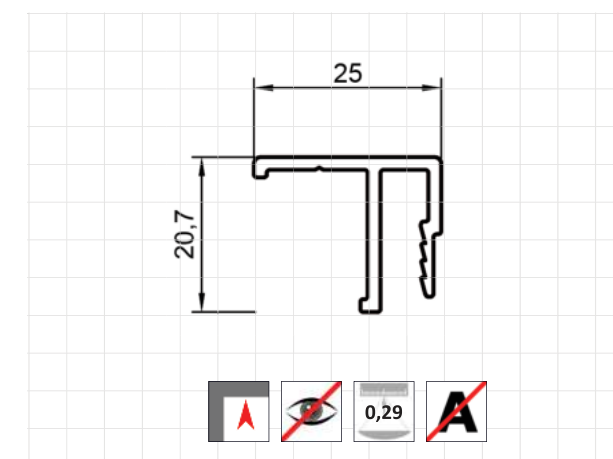
Aluminum profile used with decoration strip

SENSATIONAL OBJECTS DONE WITH THIS PROFILE



Pärnu Bus Station Estonia / Pärnu Installer: Vecta Design

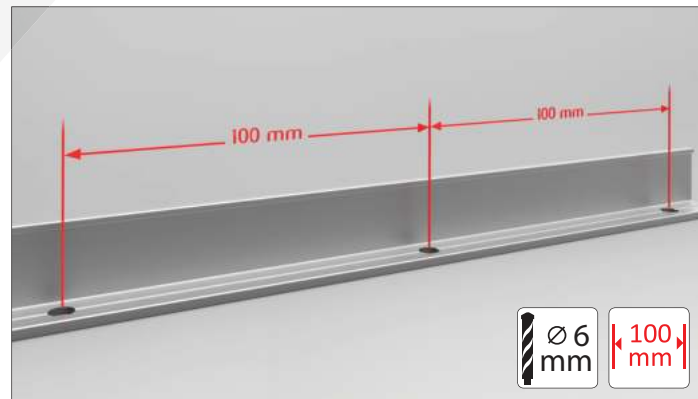
PROFILE REAL-SIZE DIMENSIONS



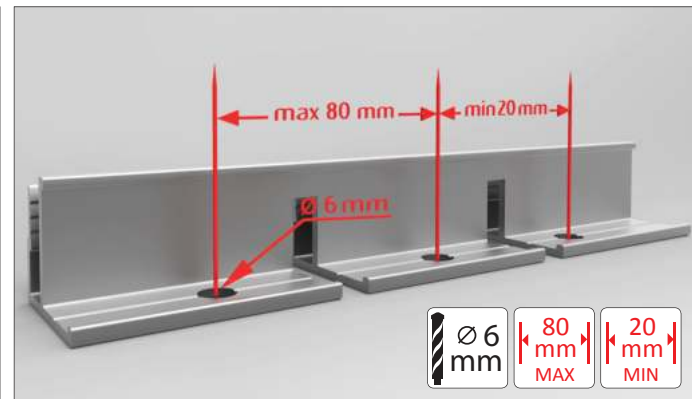
DESCRIPTION

Profile is used with decoration strip for installing stretch ceiling to the ceiling and in certain cases to the wall. Anodized profile is recommended to use in the rooms with high humidity level (pool, bathroom, spa). Recommended area for installation with this profile is up to 50 m².

Feel free to contact in case any questions: info@vectadesign.com | phone: +372 44 23 023 | fax: +372 43 70 339



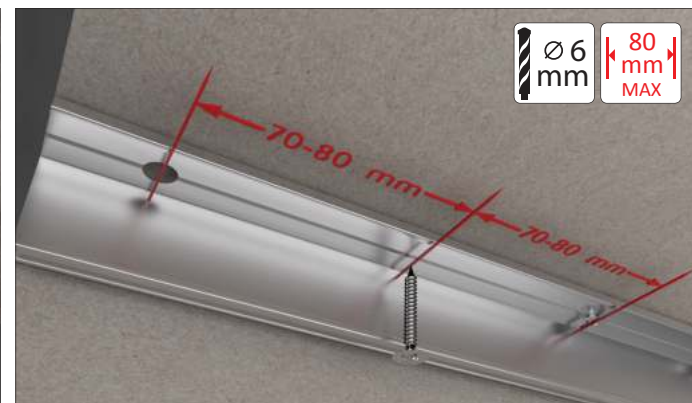
Fastening the profile to the straight line



Pre-notched in the factory for easy adaptation on site to rounded and vaulted shapes



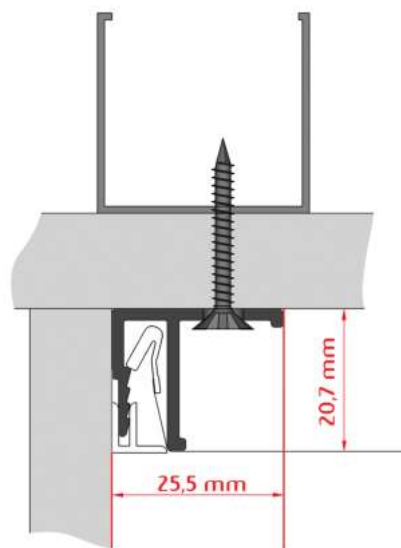
Fastening the profile to the concrete ceiling



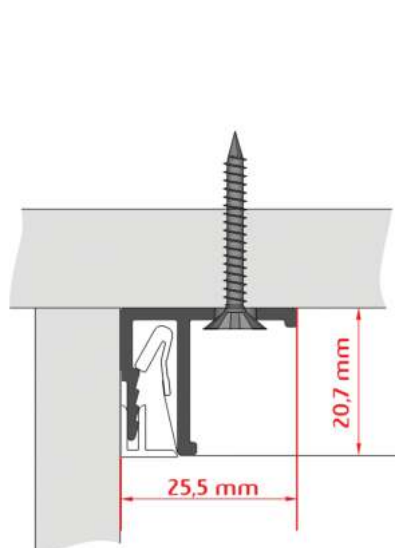
Fastening the profile to the plasterboard ceiling

FASTENING THE PROFILE TO THE METAL FRAMEWORK AND PLASTERBOARD

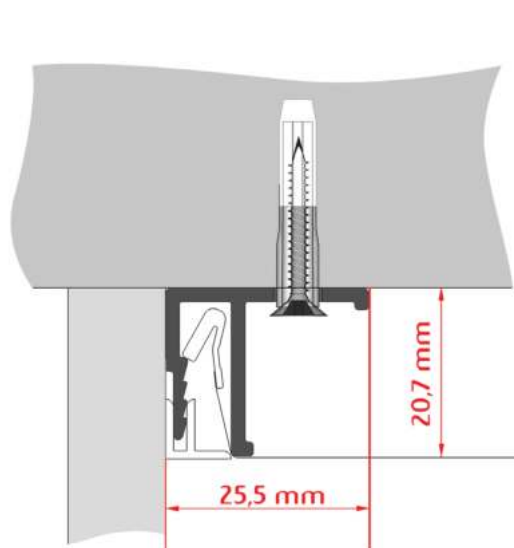
- Fastening the profile to the metal framework and plasterboard



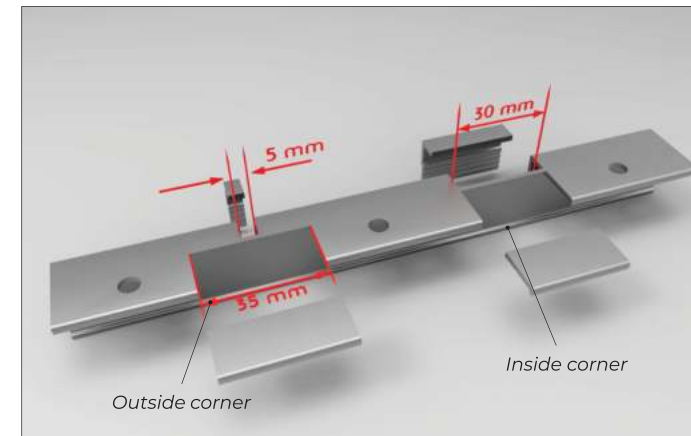
- Fastening the profile to the hollow plasterboard construction without reinforcement



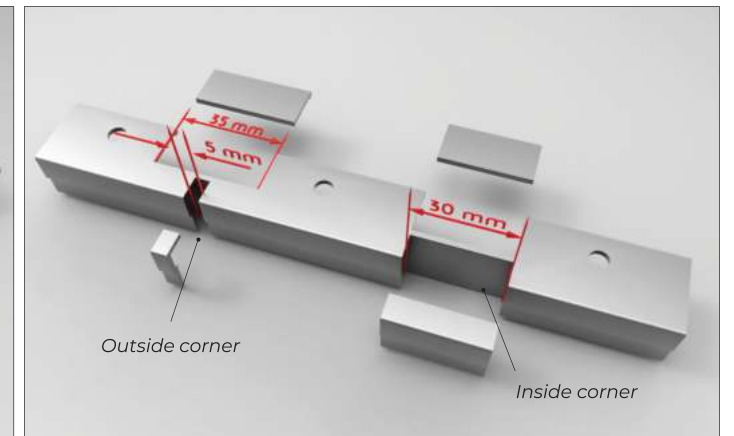
- Fastening the profile to the concrete and brick walls



CUTTING PROFILE CORNERS

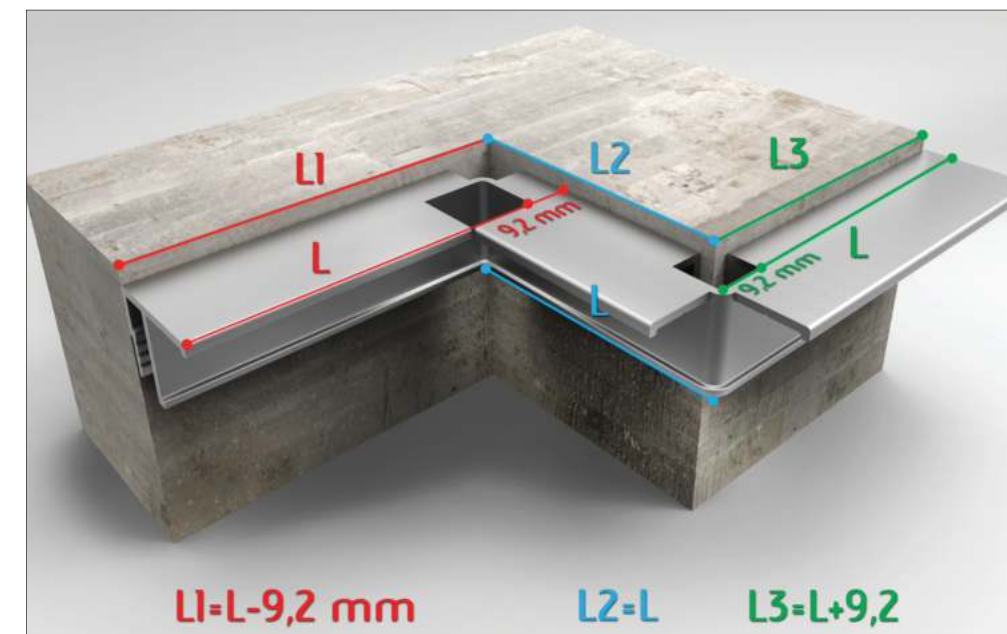


Outside corner



Outside corner

Inside corner

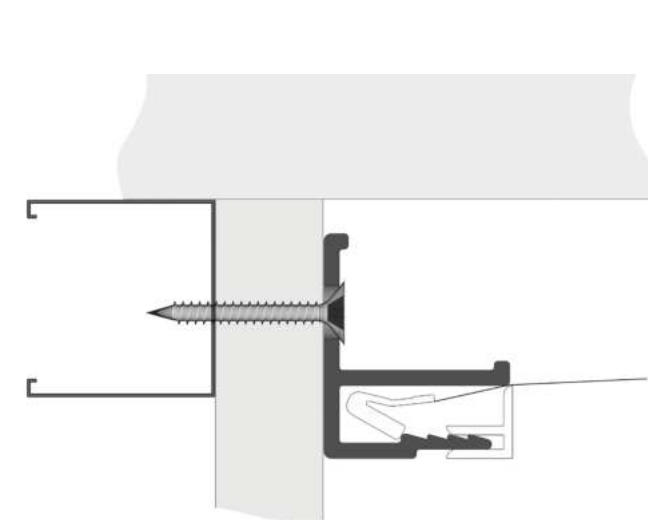


L1=L-9,2 mm

L2=L

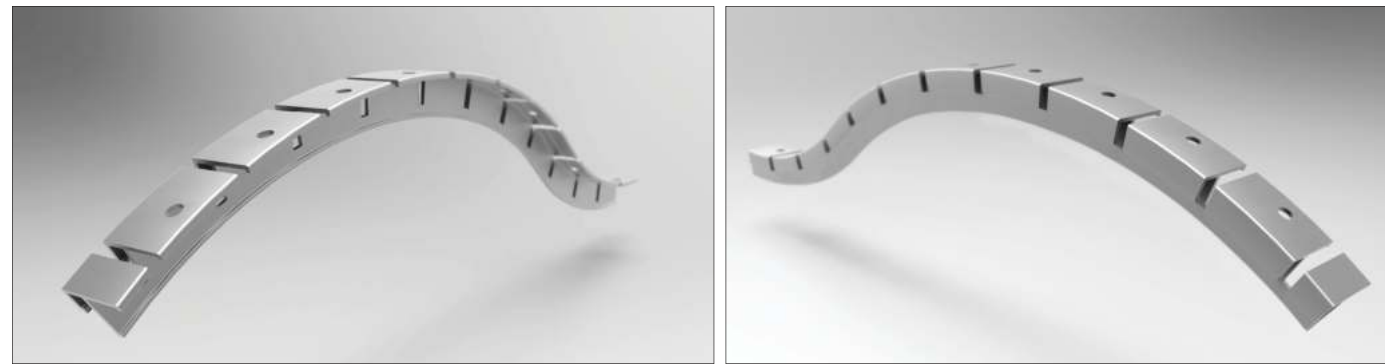
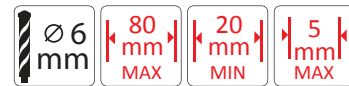
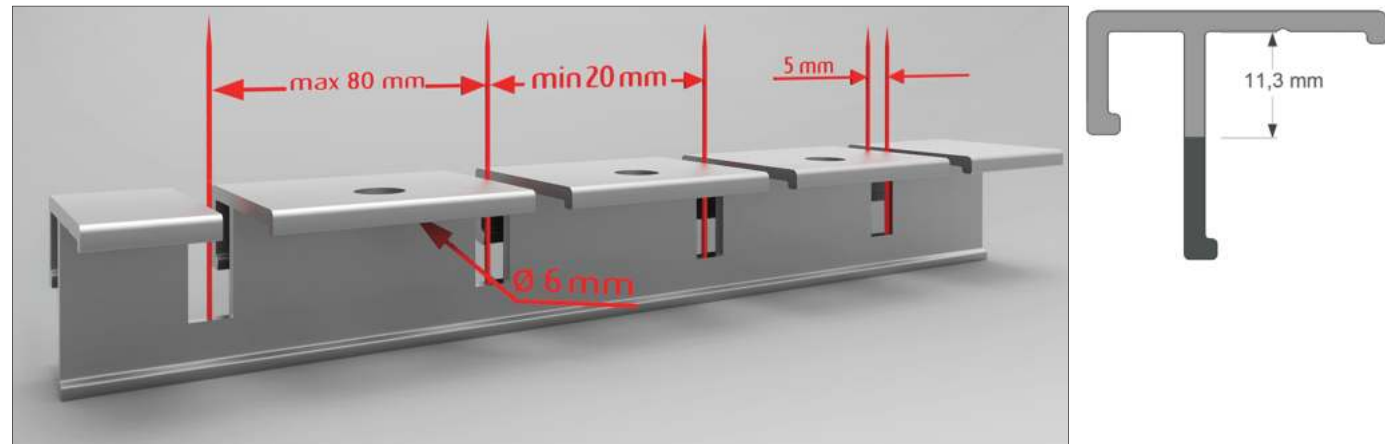
L3=L+9,2

- Fastening the profile to the metal framework and plasterboard wall

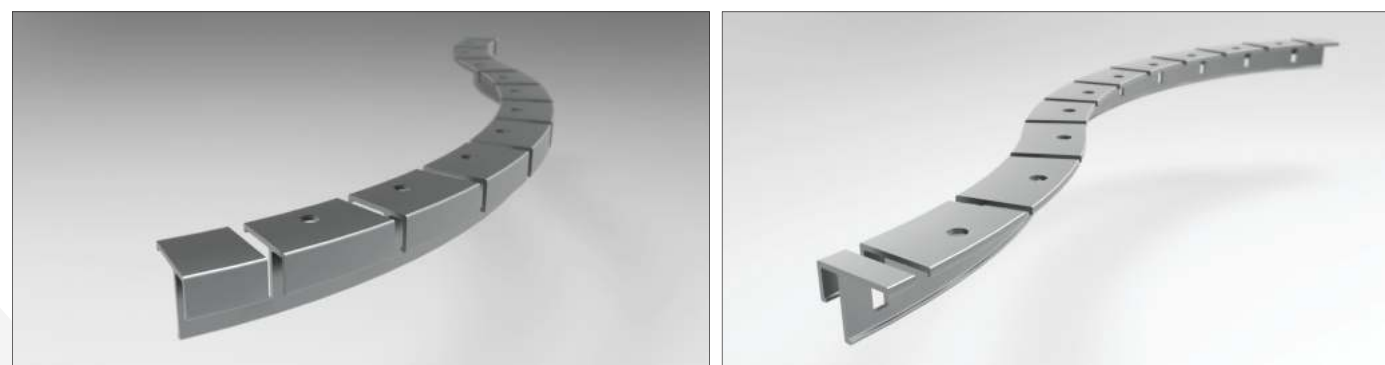
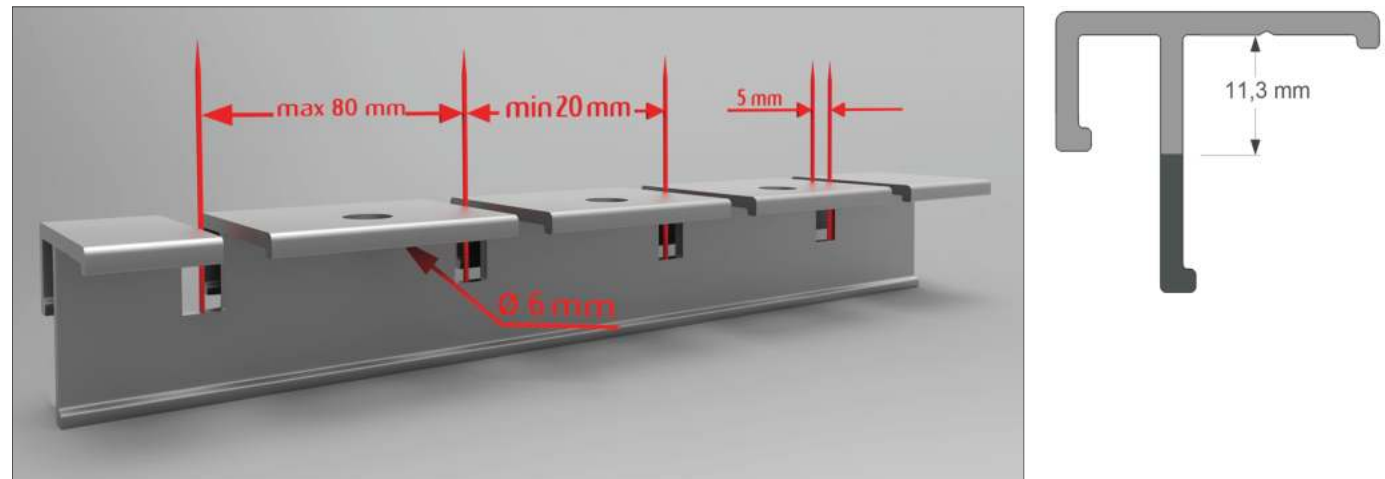


Decoration strip PC 03w in usaget with AL 02

Pre-notched in the factory for easy adaptation on site to rounded and vaulted shape vertically



Pre-notched in the factory for easy adaptation on site to rounded and vaulted shape horizontally

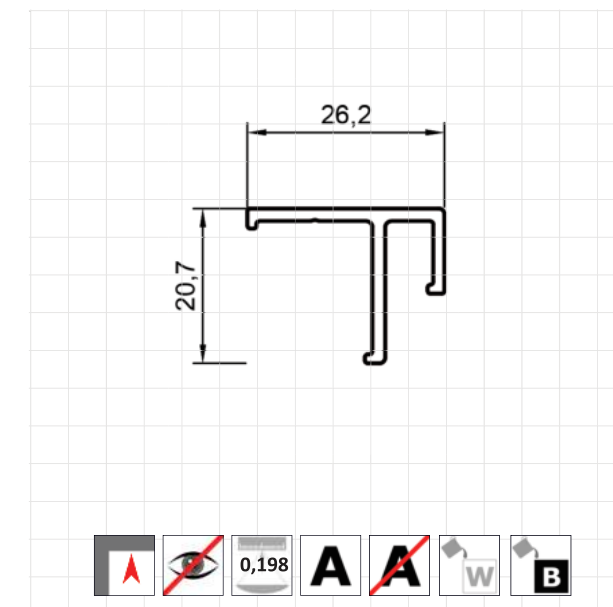


Feel free to contact in case any questions: info@vectadesign.com | phone: +372 44 23 023 | fax: +372 43 70 339

AL 02 S

Aluminum profile, is available as anodized, white, black or without decoration strip

PROFILE REAL-SIZE DIMENSIONS

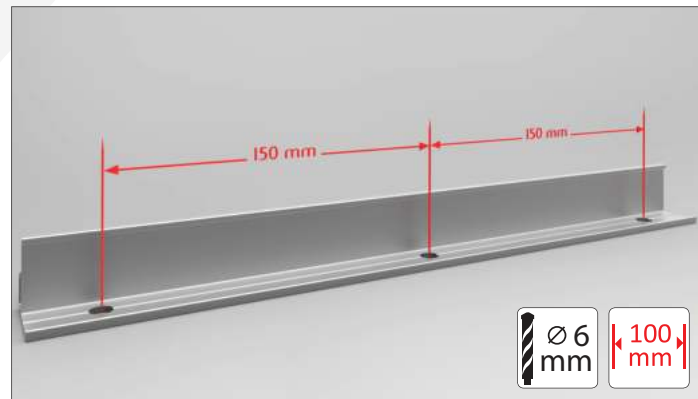


DESCRIPTION

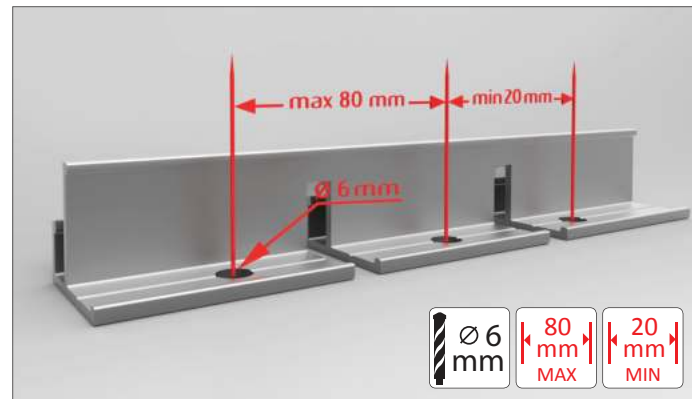
Profile is used without decoration strip for installing stretch ceilings to the ceiling and in certain cases to the wall creating the effect of the ceiling floating in the air. Anodized profile is recommended to use in the high humidity rooms. Recommended area for installation with this profile is up to 50m². This profile visually reduces defects and irregularities of the walls by 1-2,5 mm. The ceiling benefits from extremely pure lines, without visible tracks.



Feel free to contact in case any questions: info@vectadesign.com | phone: +372 44 23 023 | fax: +372 43 70 339



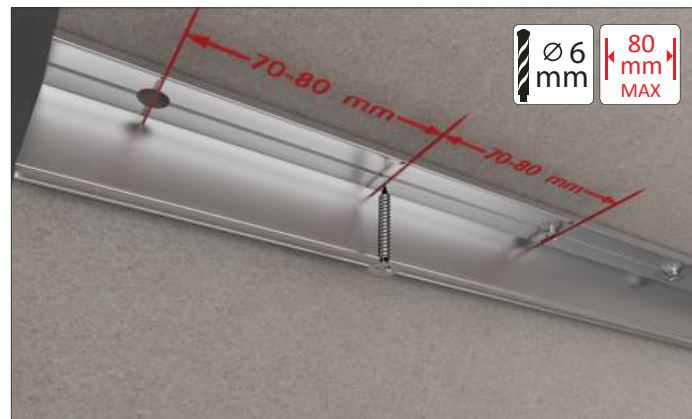
Fastening the profile to the straight line



Pre-notched in the factory for easy adaptation on site to rounded and vaulted shapes

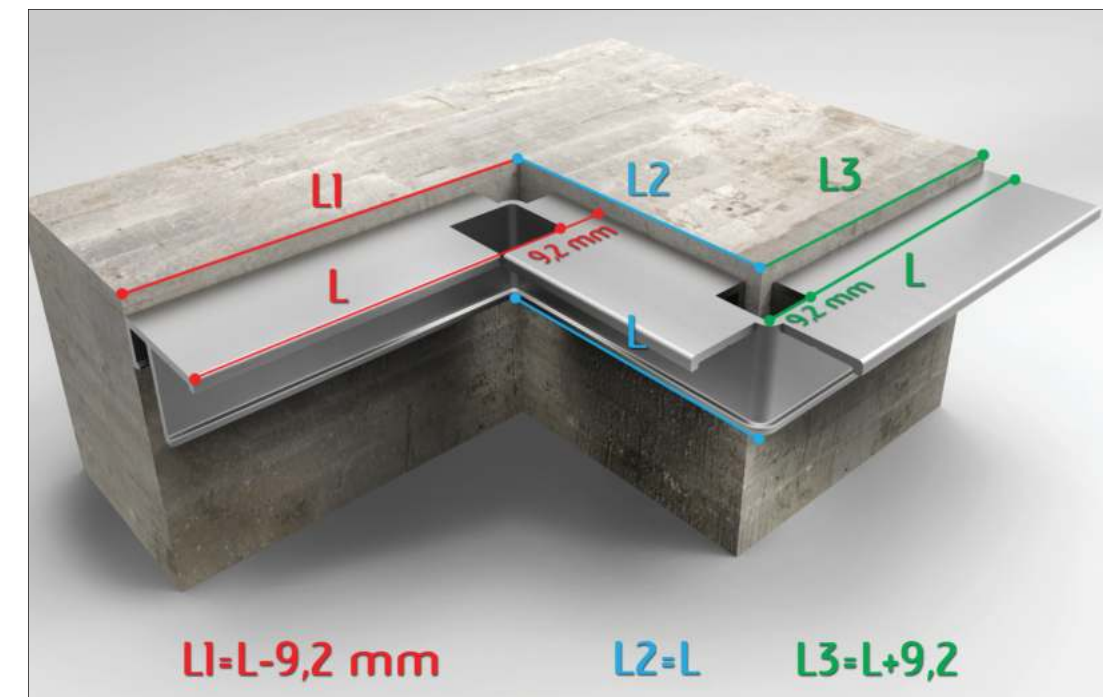
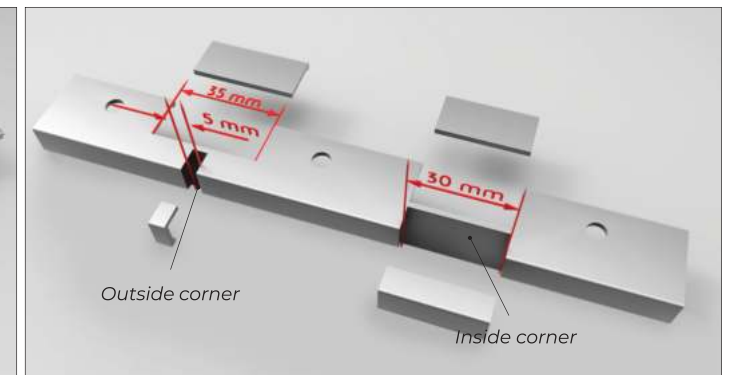
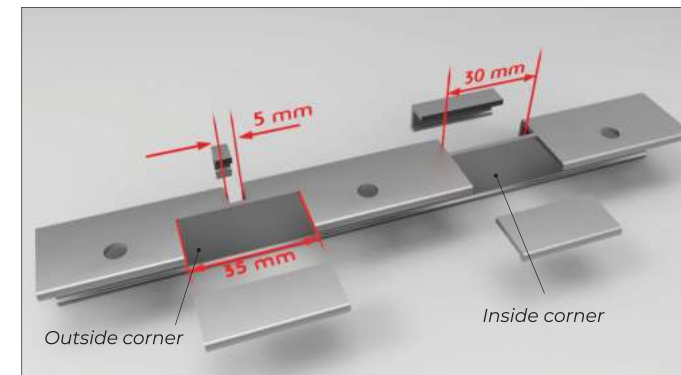


Fastening the profile to the concrete ceiling



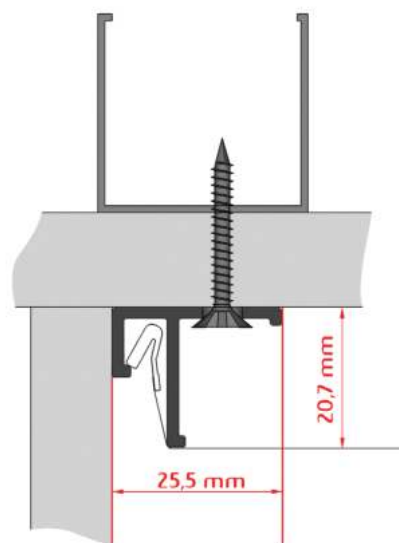
Fastening the profile to the plasterboard ceiling

CUTTING PROFILE CORNERS

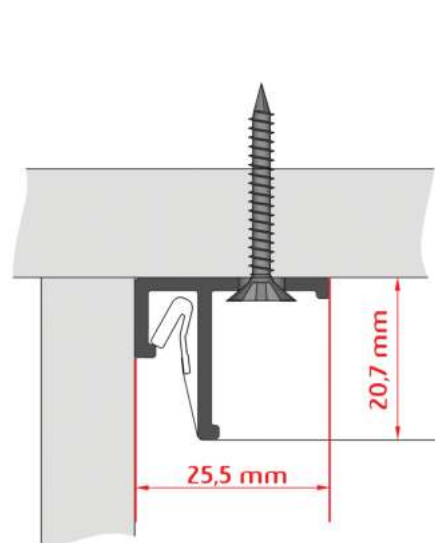


FASTENING THE PROFILE TO THE METAL FRAMEWORK AND PLASTERBOARD

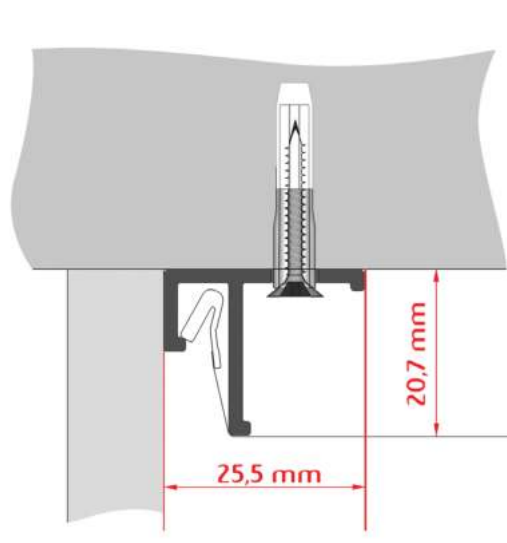
Fastening the profile to the metal framework and plasterboard



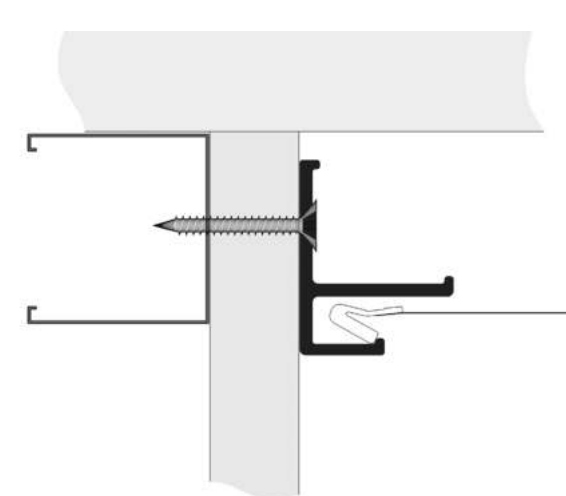
Fastening the profile to the hollow plasterboard construction without reinforcement



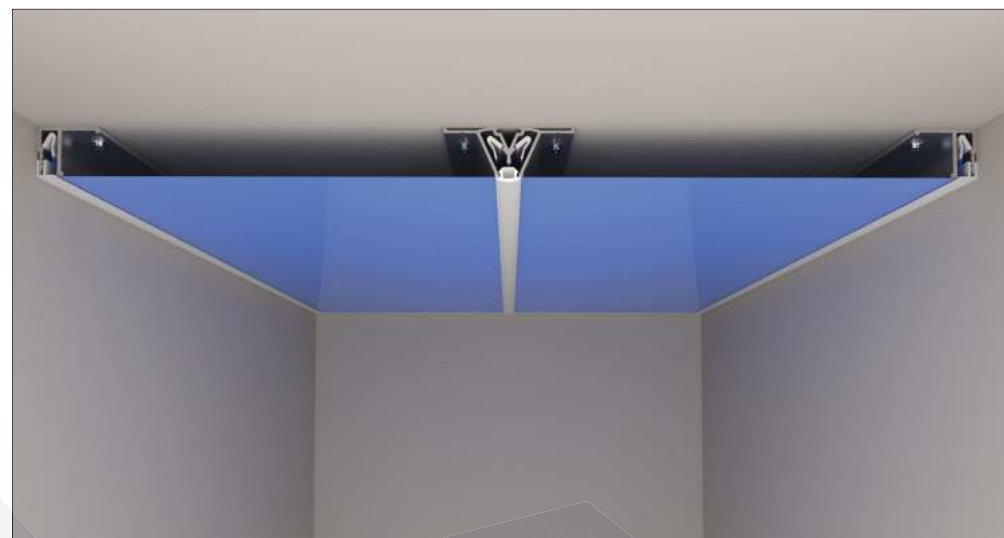
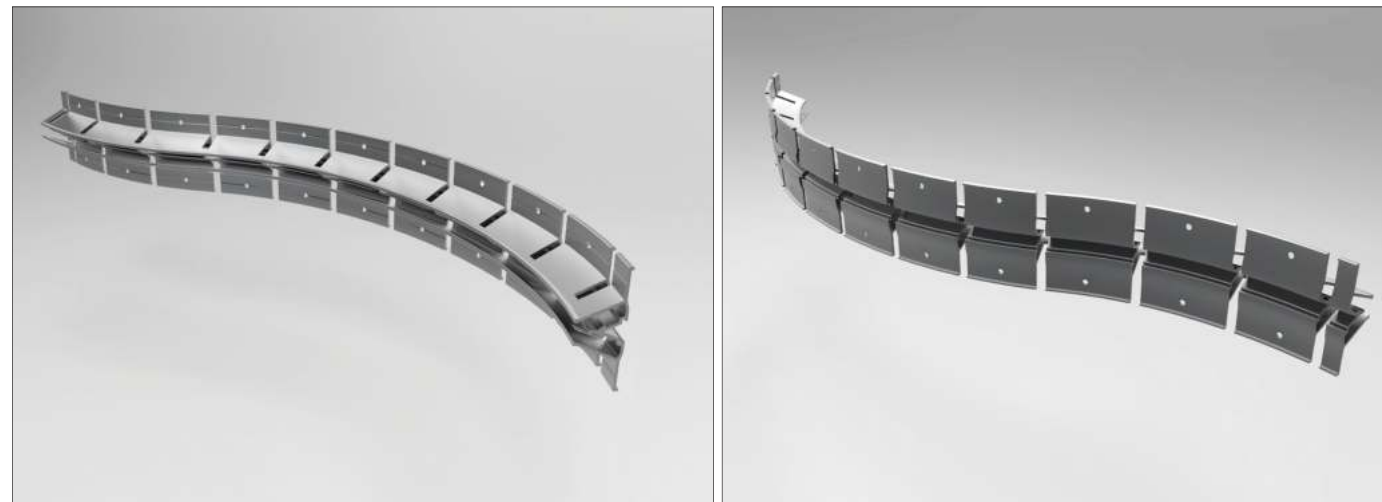
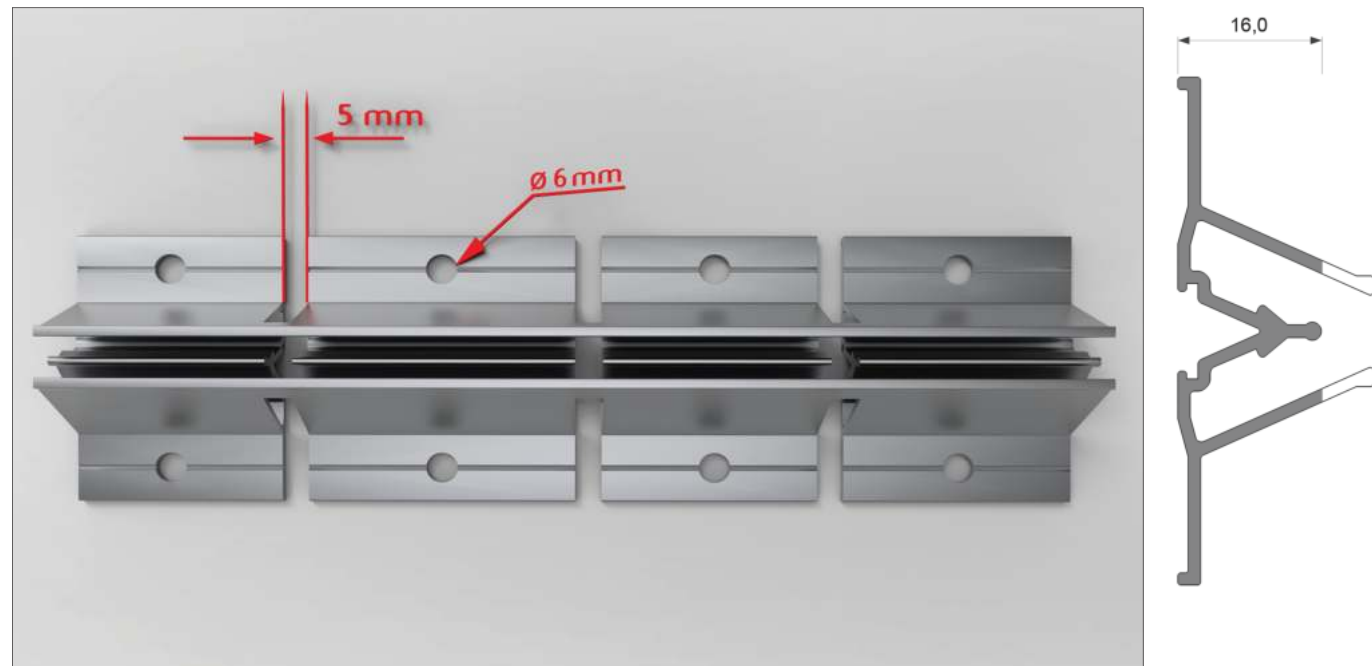
Fastening the profile to the concrete and brick walls



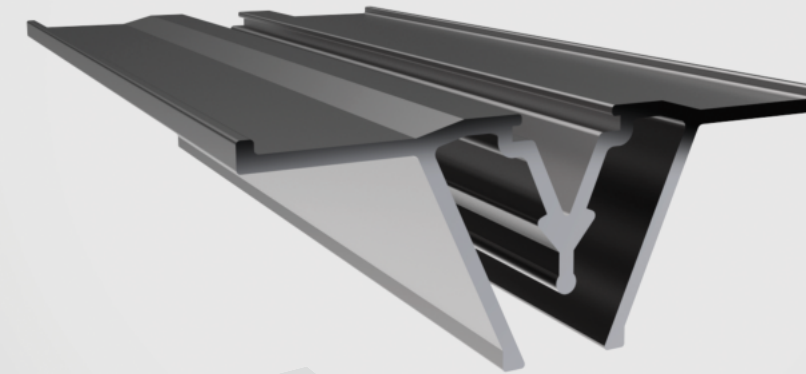
Fastening the profile to the metal framework and plasterboard wall



Pre-notched in the factory for easy adaptation on site to rounded and vaulted shape horizontally



Feel free to contact in case any questions: info@vectadesign.com | phone: +372 44 23 023 | fax: +372 43 70 339



AL 03

Aluminum separator.

The profile can be ordered also as anodized or black finish (3m long) versions.

OBJECTS DONE WITH THIS PROFILE



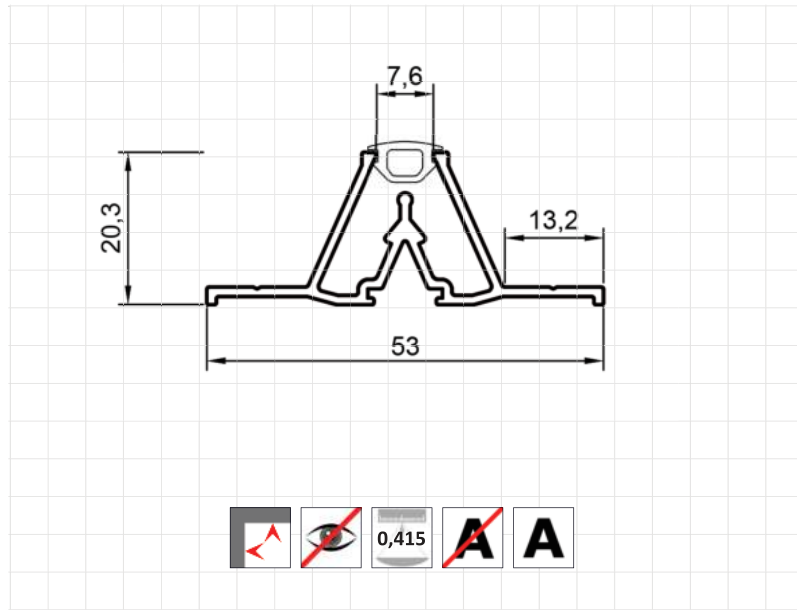
Estonia Resort hotel & Spa Estonia / Pärnu Installer: Vecta Design

DESCRIPTION

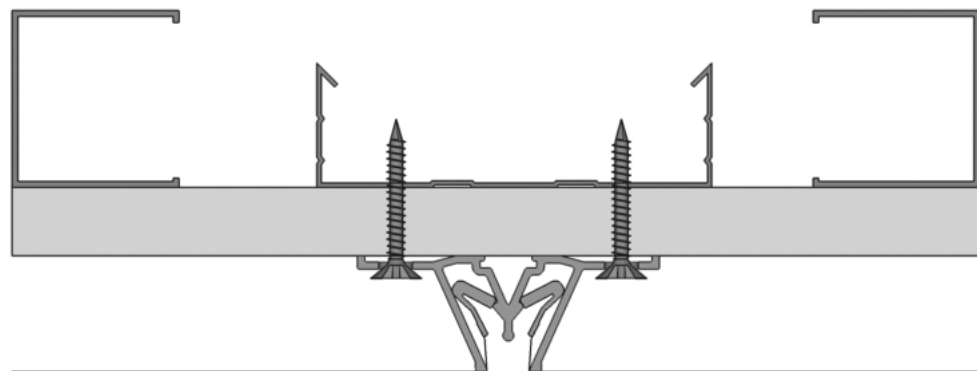
Profile is used for installing a stretch ceiling to the wall and ceiling. Used to divide the grand areas of the ceiling to the segments, and for the two-level ceilings. Recommended area for installation with this profile is up to 50 m². Using the profile as a ceiling divisor: Ceilings have to be ordered simultaneously, as there can be tone difference of various film lots. If there will be a time gap between the orders, production might use another roll for the order. Multiple ceilings in the same room must be ordered together.

Feel free to contact in case any questions: info@vectadesign.com | phone: +372 44 23 023 | fax: +372 43 70 339

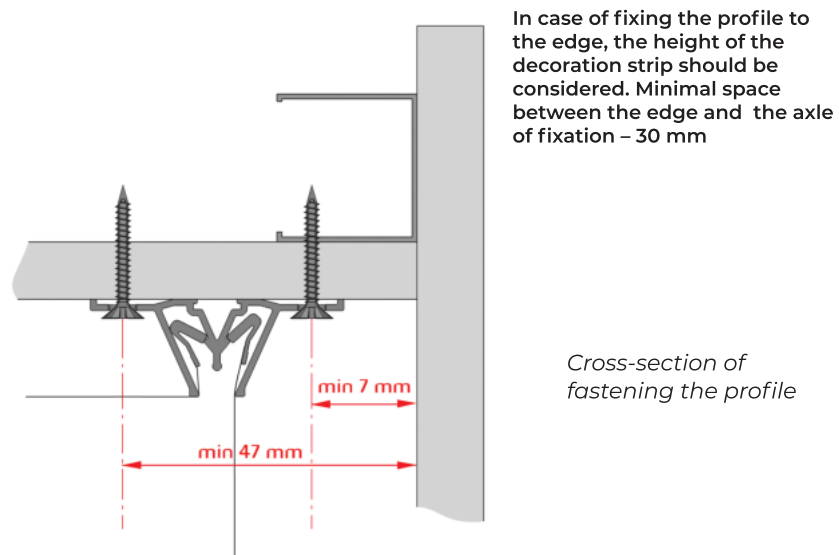
PROFILE REAL-SIZE DIMENSIONS



FASTENING THE PROFILE TO THE METAL FRAMEWORK AND PLASTERBOARD

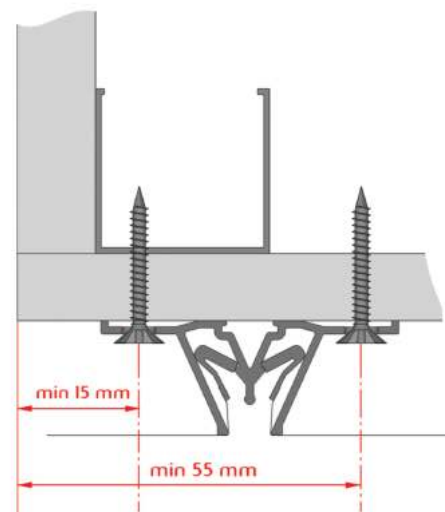


Cross-section of fastening the profile

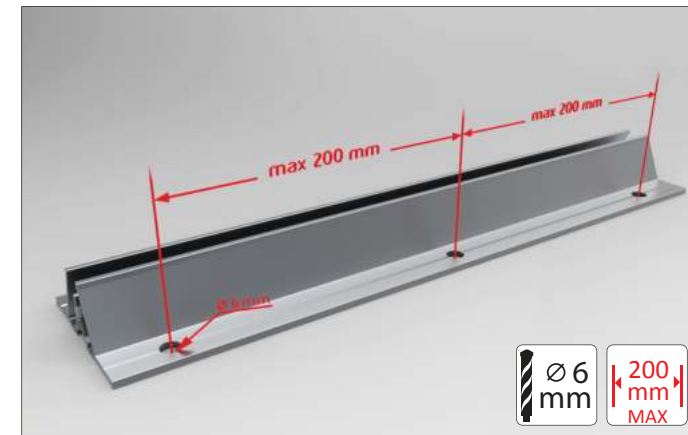


In case of fixing the profile to the edge, the height of the decoration strip should be considered. Minimal space between the edge and the axle of fixation - 30 mm

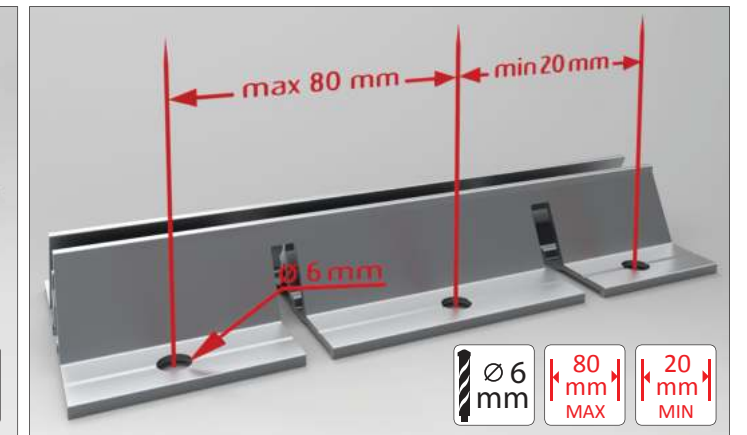
Cross-section of fastening the profile



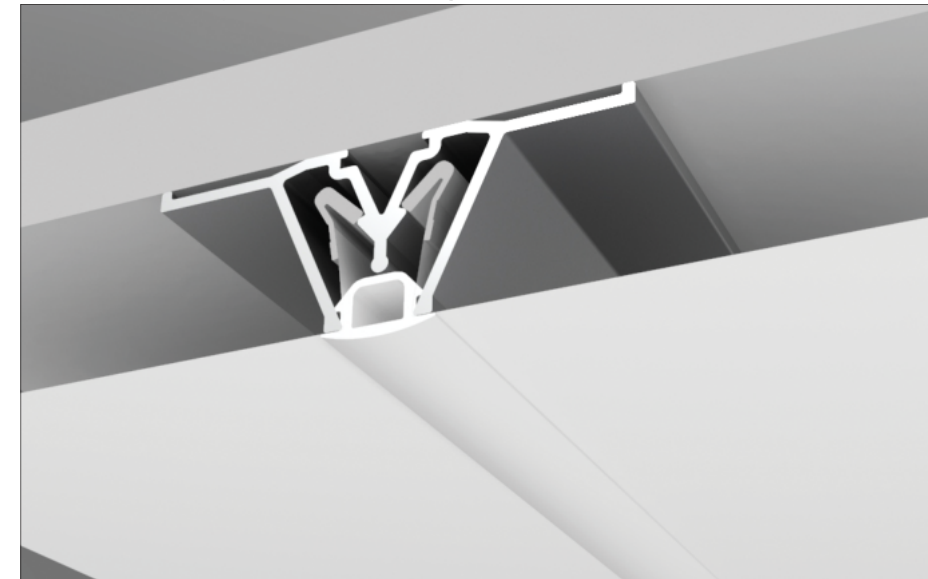
Fastening the profile to the straight lined surface



Pre-notched in the factory for easy adaptation on site to rounded and vaulted shape



Decoration strip PC 04W in usage

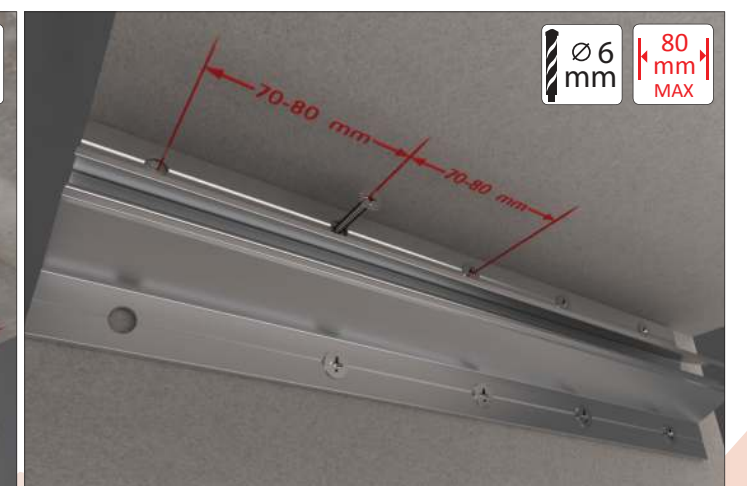


MOUNTING PROFILE AL 03

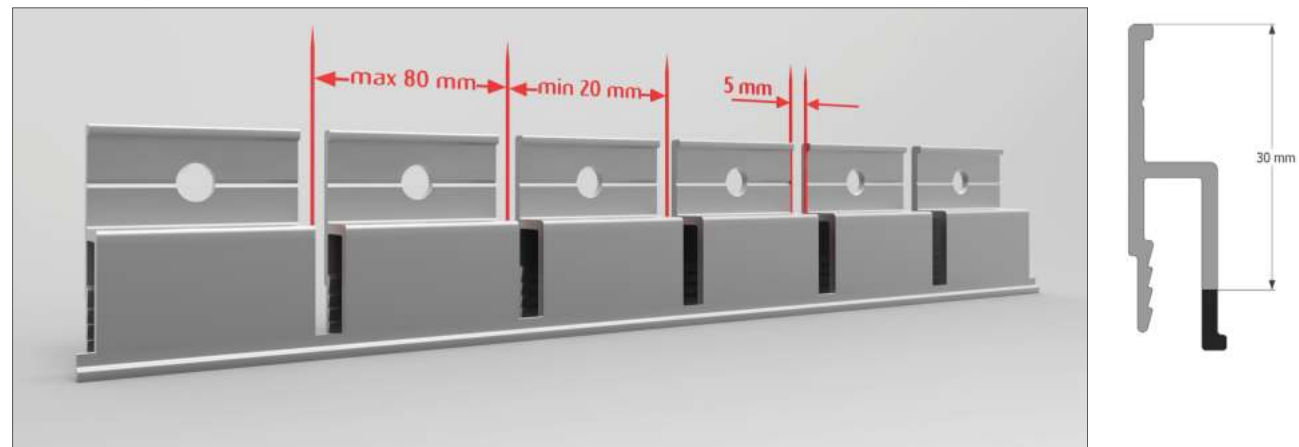
Fastening the profile to the concrete wall or ceiling



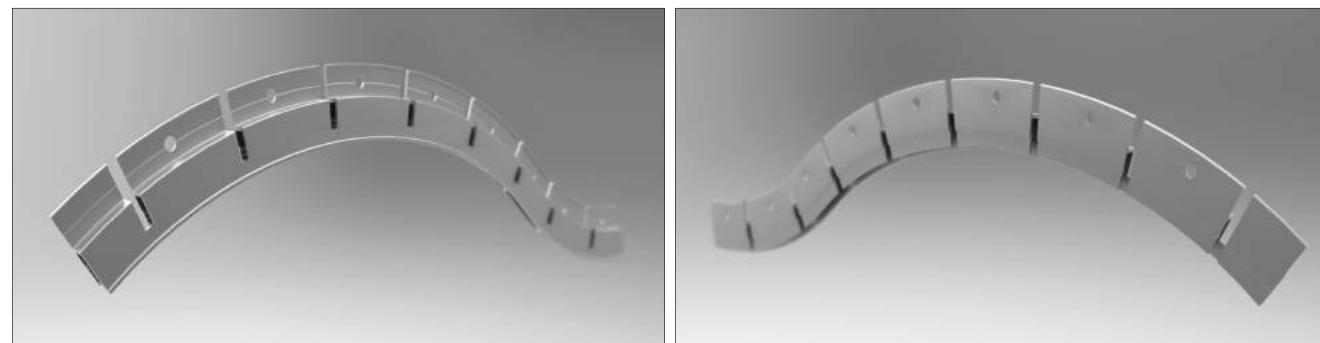
Fastening the profile to the plasterboard wall or ceiling



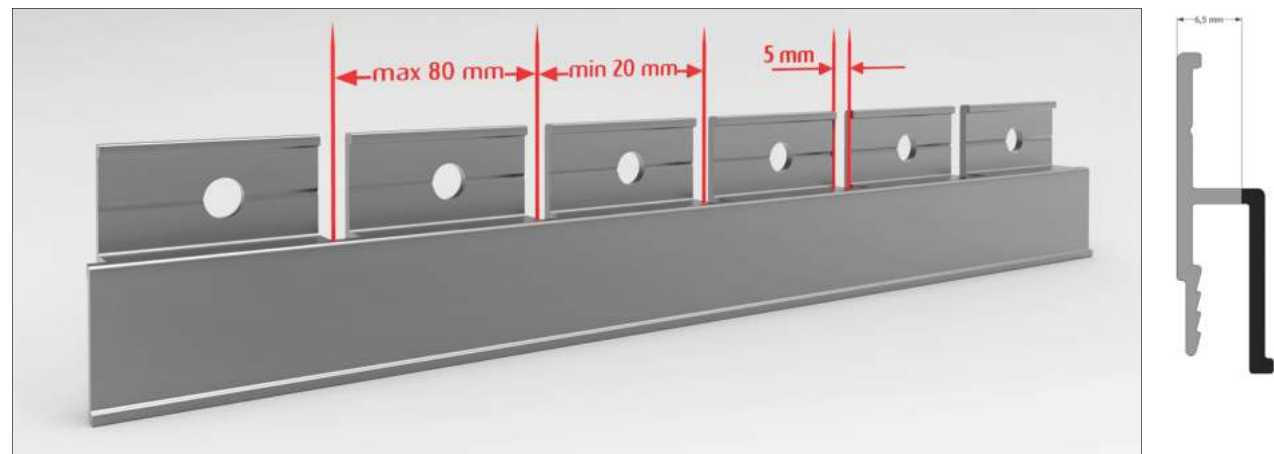
Pre-notched in the factory for easy adaptation on site to rounded and vaulted shape horizontally



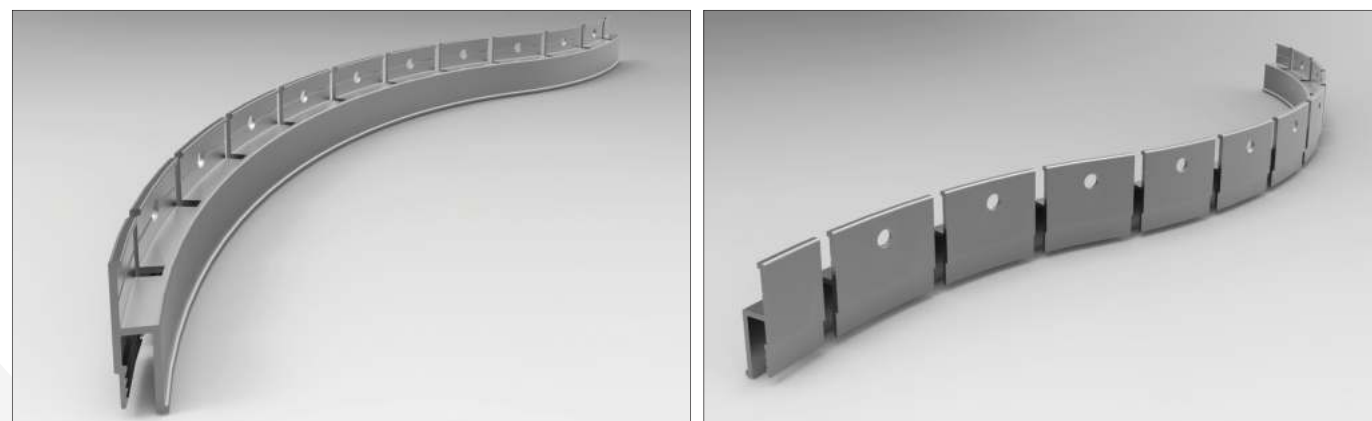
∅ 6 mm	80 mm MAX	20 mm MIN	5 mm MAX
--------	-----------	-----------	----------



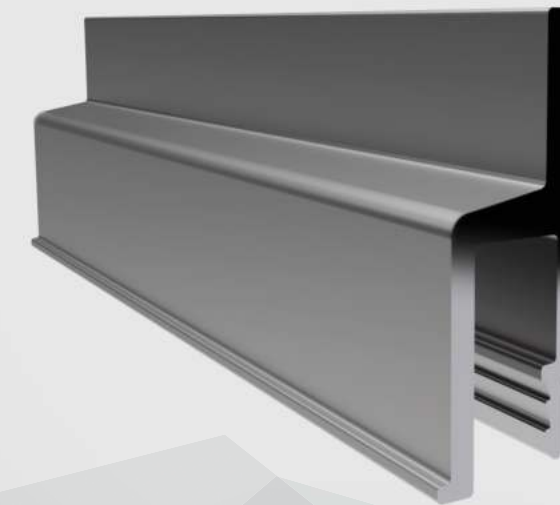
Pre-notched in the factory for easy adaptation on site to rounded and vaulted shape horizontally



∅ 6 mm	80 mm MAX	20 mm MIN	5 mm MAX
--------	-----------	-----------	----------



Feel free to contact in case any questions: info@vectadesign.com | phone: +372 44 23 023 | fax: +372 43 70 339



AL 04

Aluminum wall profile used with decoration strip

DESCRIPTION

Profile is used with decoration strip for installing stretch ceilings to the wall. Recommended area for installation with this profile is up to 50m².

OBJECTS DONE WITH THIS PROFILE

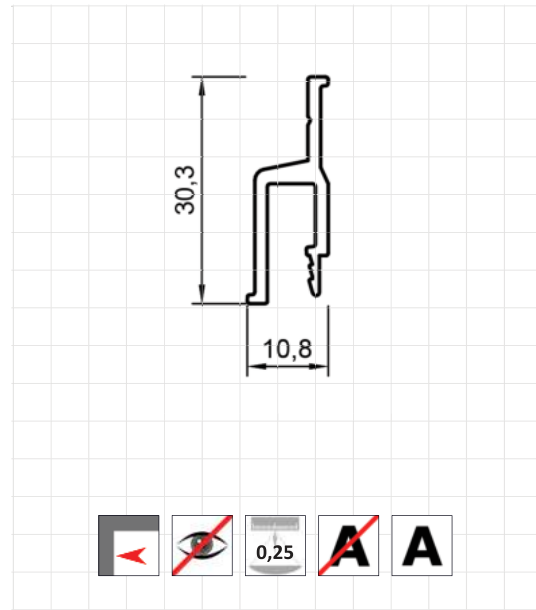


Hotel Viking SPA & Wellness
Estonia / Pärnu
Installer: Vecta Design

Eesden Shopping Mall
Estonia / Tartu
Installer: Vecta Design

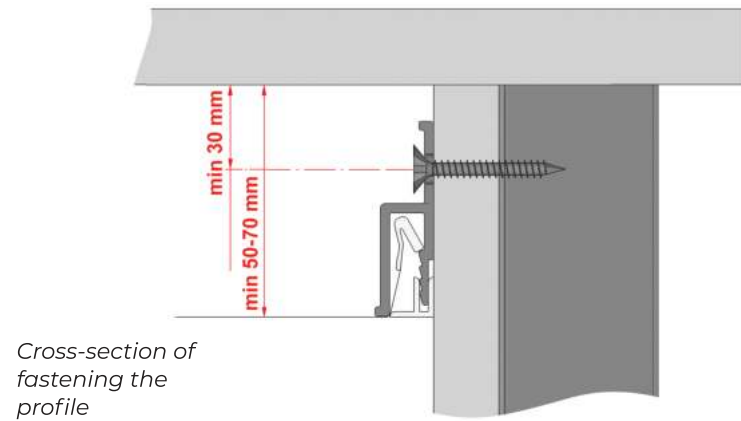
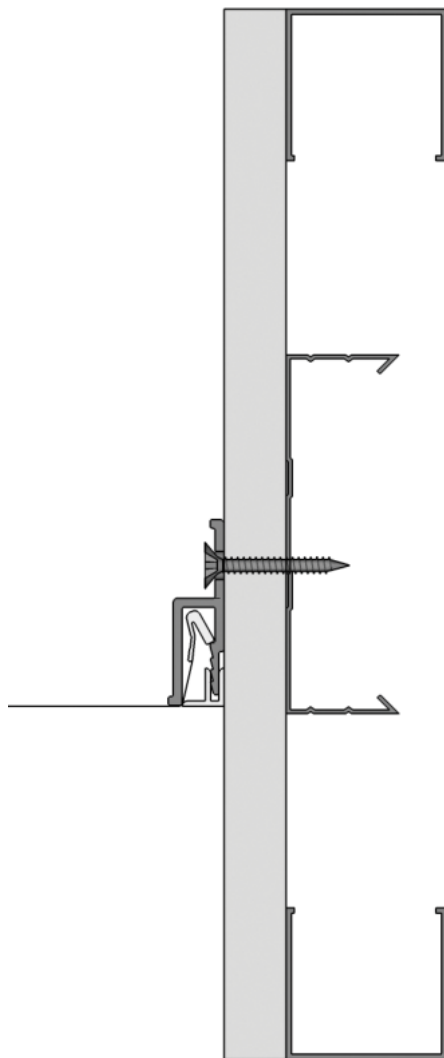
Feel free to contact in case any questions: info@vectadesign.com | phone: +372 44 23 023 | fax: +372 43 70 339

PROFILE REAL-SIZE DIMENSIONS



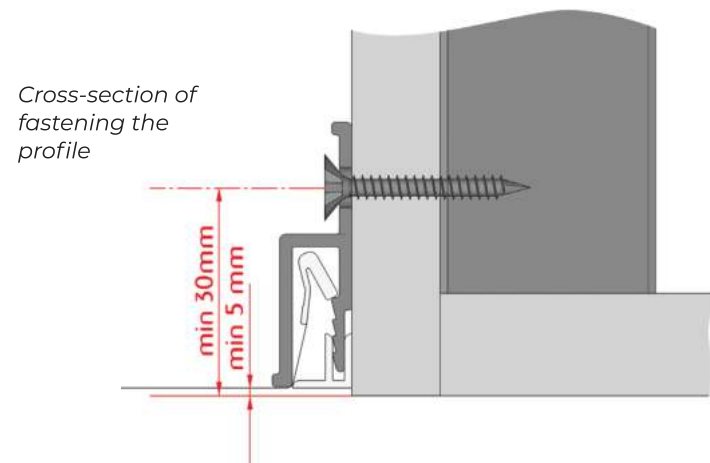
Used with decoration strip PC 03W

FASTENING THE PROFILE TO THE METAL FRAMEWORK AND PLASTERBOARD



Cross-section of fastening the profile

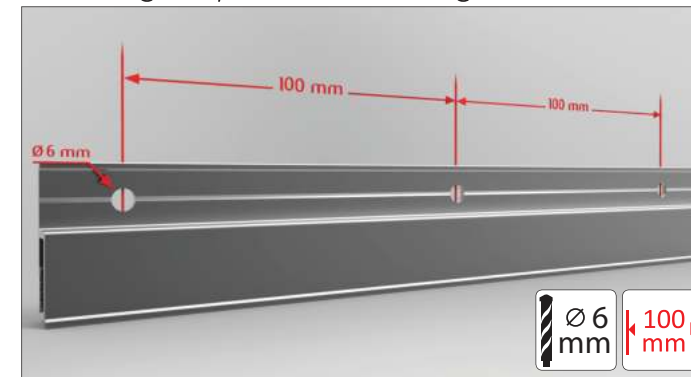
In case of fixing the profile to the edge, the height of the decoration strip should be considered. Minimal space between the edge and the axle of fixation - 30 mm



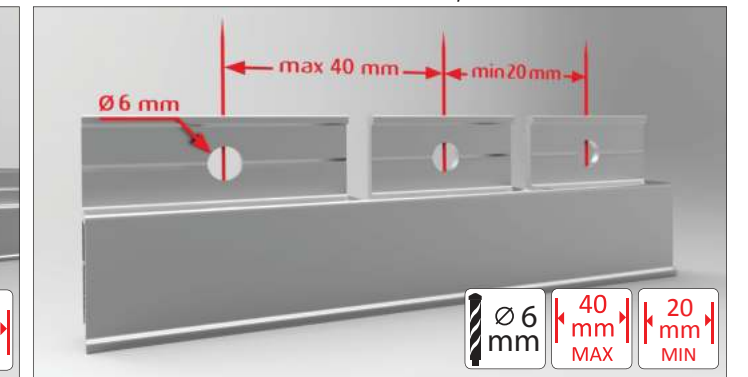
Cross-section of fastening the profile

Feel free to contact in case any questions: info@vectadesign.com | phone: +372 44 23 023 | fax: +372 43 70 339

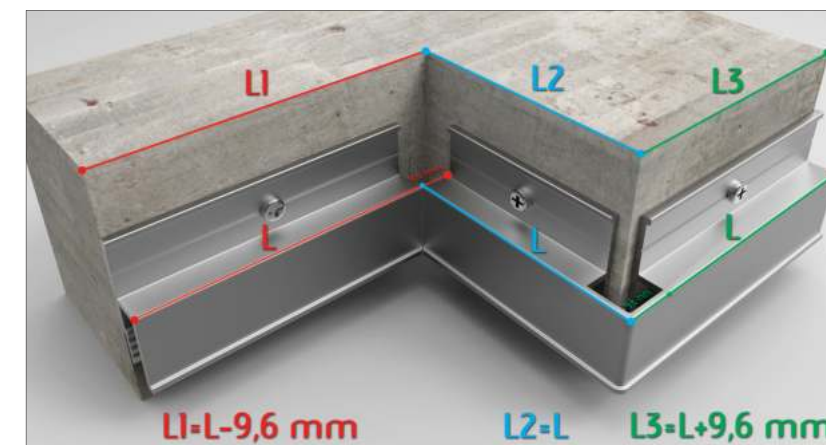
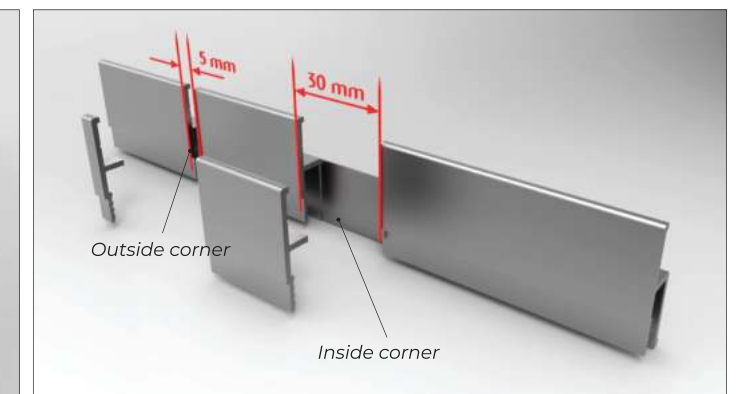
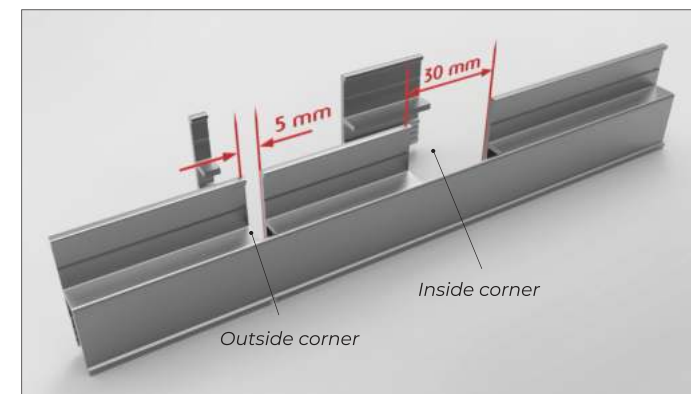
Fastening the profile to the straight lined surface



Pre-notched in the factory for easy adaptation on site to rounded and vaulted shape

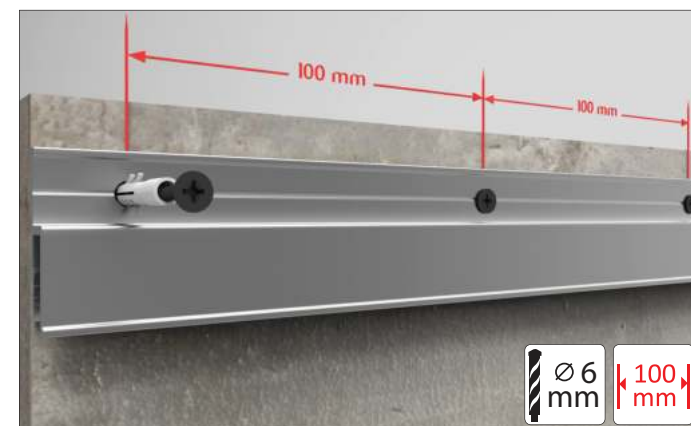


CUTTING PROFILE CORNERS

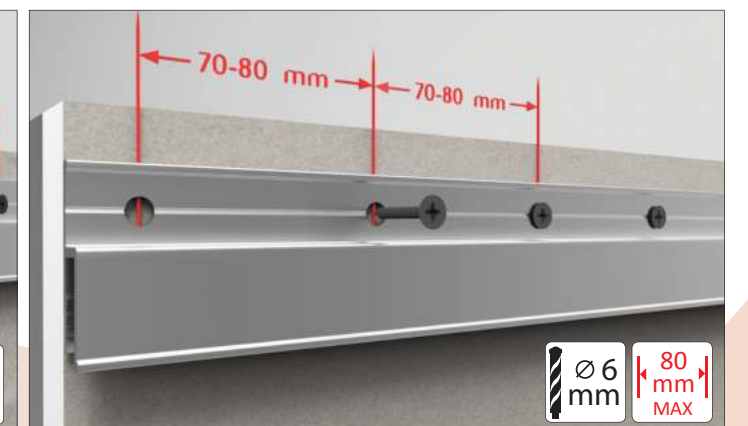


MOUNTING PROFILE AL 04

Fastening the profile to the concrete wall or ceiling

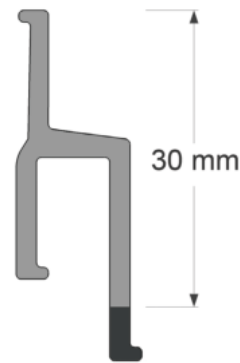
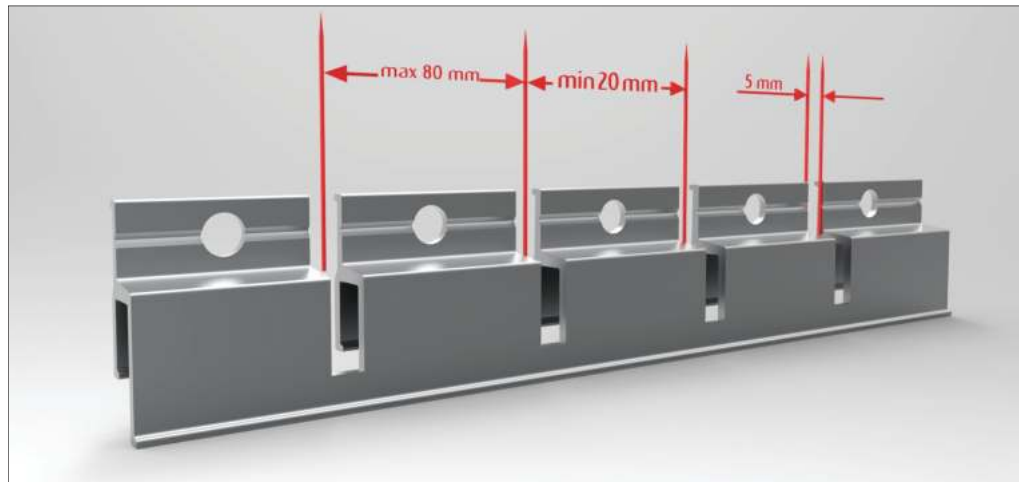


Fastening the profile to the plasterboard wall or ceiling

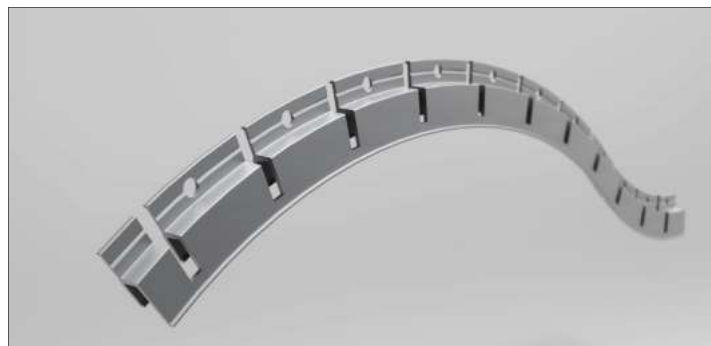


Feel free to contact in case any questions: info@vectadesign.com | phone: +372 44 23 023 | fax: +372 43 70 339

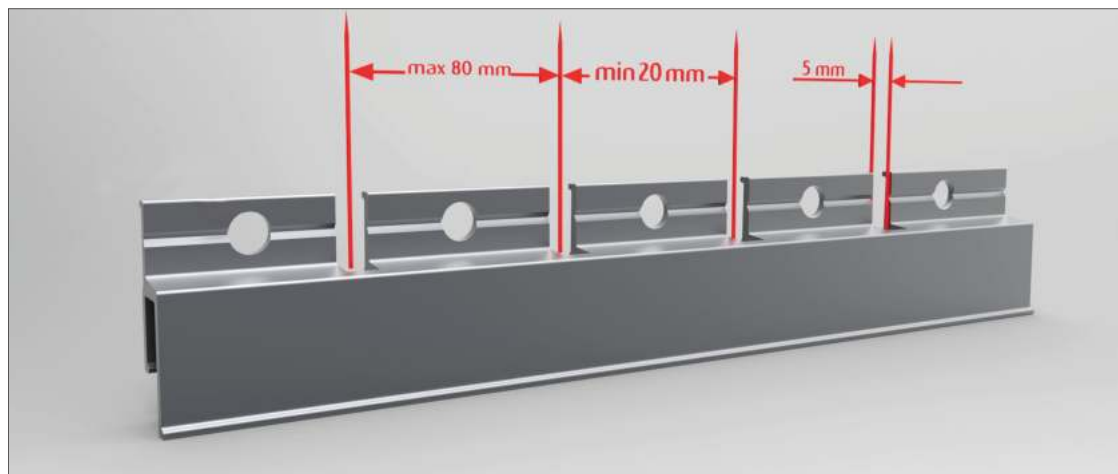
Pre-notched in the factory for easy adaptation on site to rounded and vaulted shape vertically



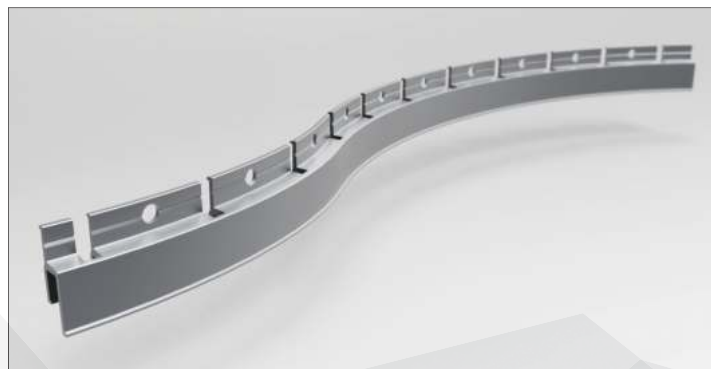
Ø 6 mm	80 mm MAX	20 mm MIN	5 mm MAX
--------	-----------	-----------	----------



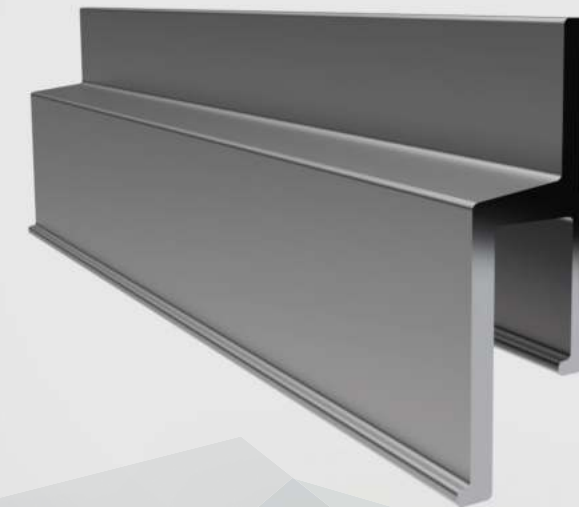
Pre-notched in the factory for easy adaptation on site to rounded and vaulted shape horizontally



Ø 6 mm	80 mm MAX	20 mm MIN	5 mm MAX
--------	-----------	-----------	----------



Feel free to contact in case any questions: info@vectadesign.com | phone: +372 44 23 023 | fax: +372 43 70 339



AL 05

Aluminum wall profile used without decoration strip

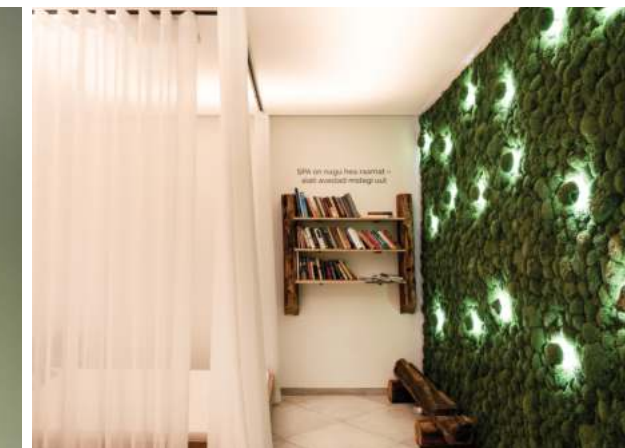
DESCRIPTION

Profile is used without decoration strip for installing stretch ceiling to the wall. Recommended area with this profile is up to 50 m². Given profile visually reduces the defects and irregularities of the walls by 1-2,5 mm. The ceiling benefits from extremely pure lines, without visible tracks.

OBJECTS DONE WITH THIS PROFILE



Wasa Hotel & Spa
Estonia / Pärnu
Installer: Vecta Design



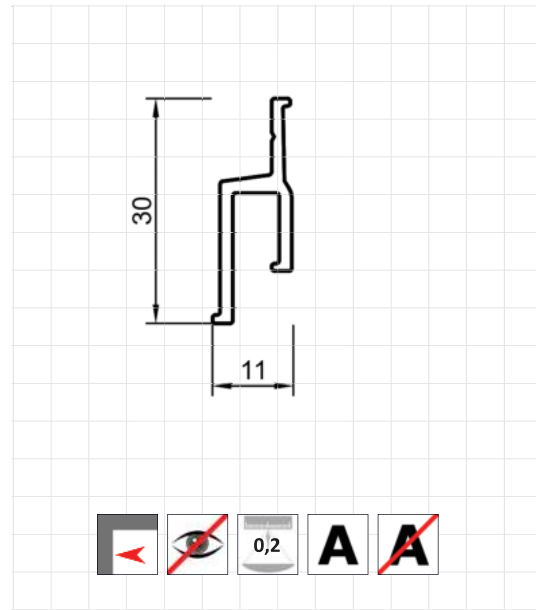
Elamus Spa
Estonia / Tallinn
Installer: Vecta Design



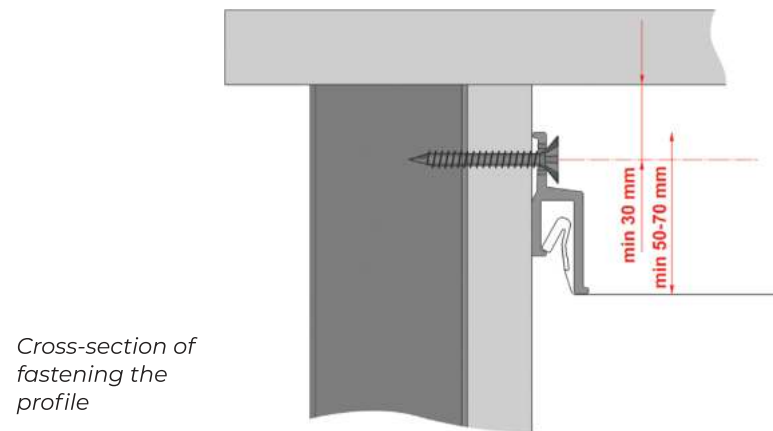
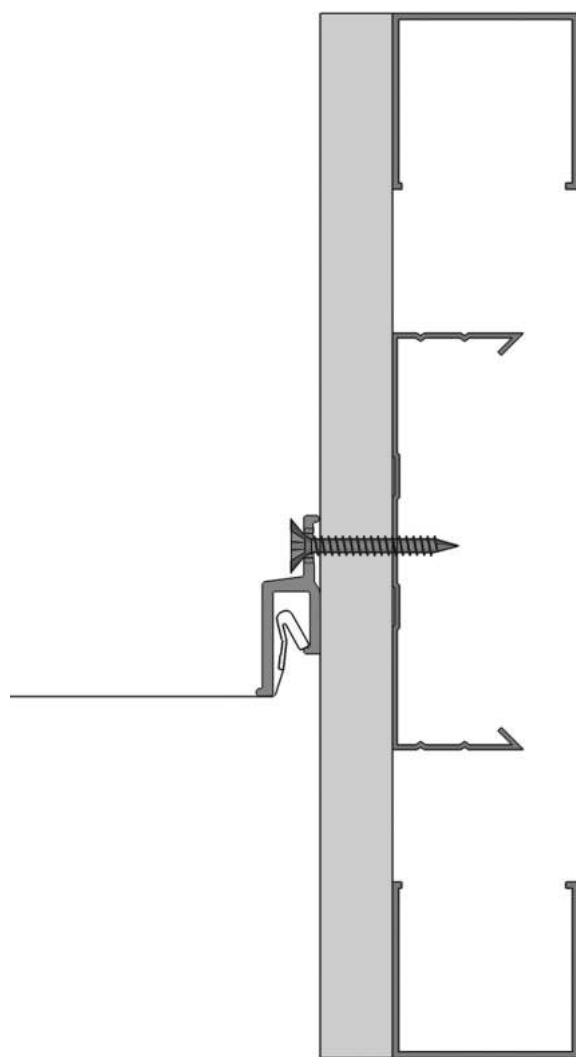
Transferwise office
Estonia / Tallinn
Installer: Vecta Design

Feel free to contact in case any questions: info@vectadesign.com | phone: +372 44 23 023 | fax: +372 43 70 339

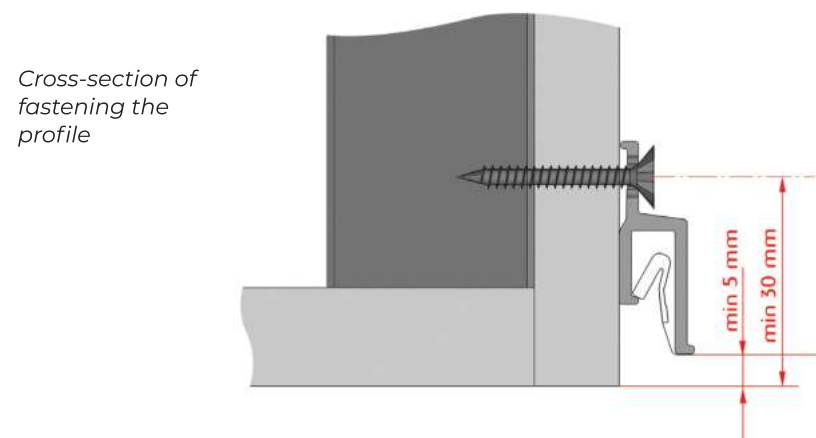
PROFILE REAL-SIZE DIMENSIONS



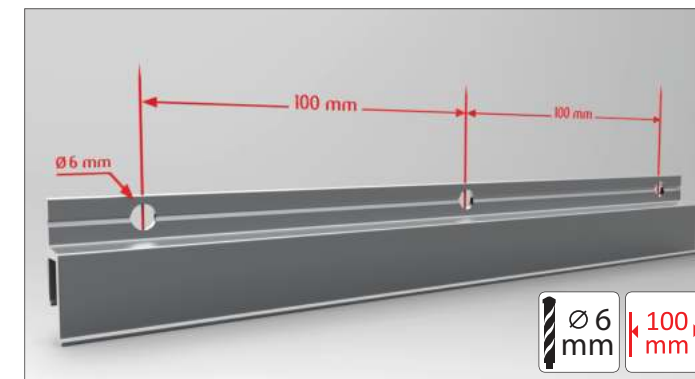
FASTENING THE PROFILE TO THE METAL FRAMEWORK AND PLASTERBOARD



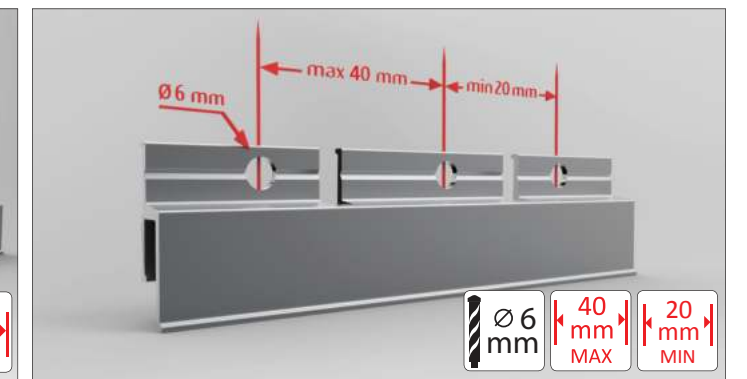
In case of fixing the profile to the edge, the height of the decoration strip should be considered. Minimal space between the edge and the axle of fixation - 30 mm



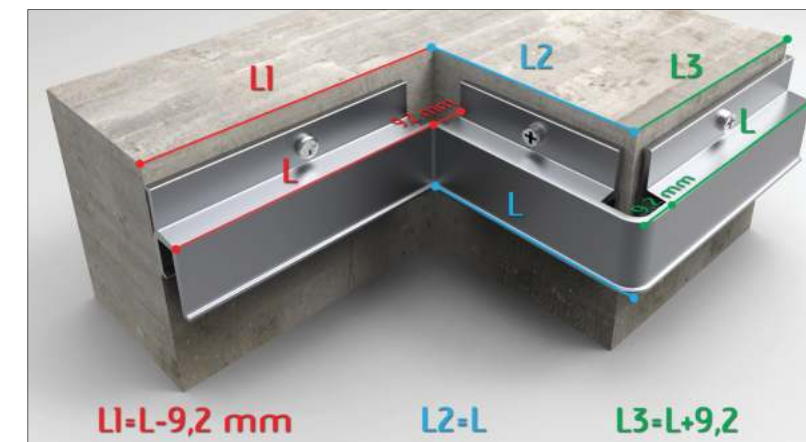
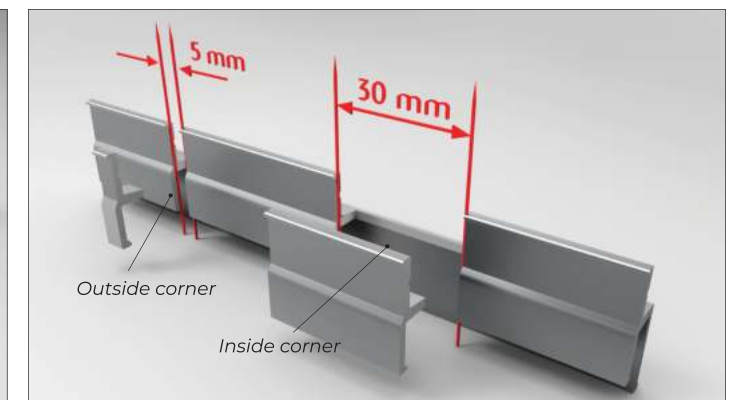
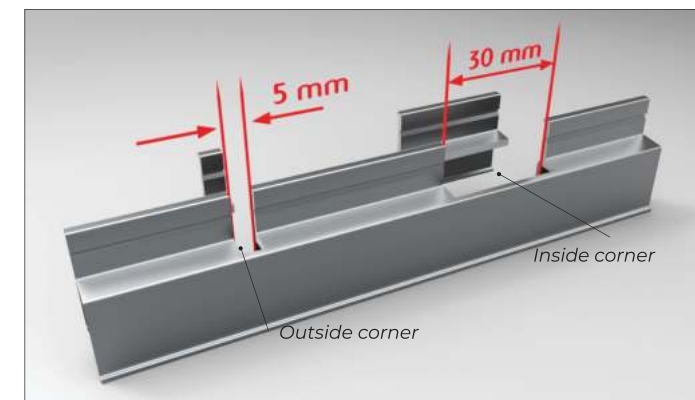
Fastening the profile to the straight lined surface



Pre-notched in the factory for easy adaptation on site to rounded and vaulted shape

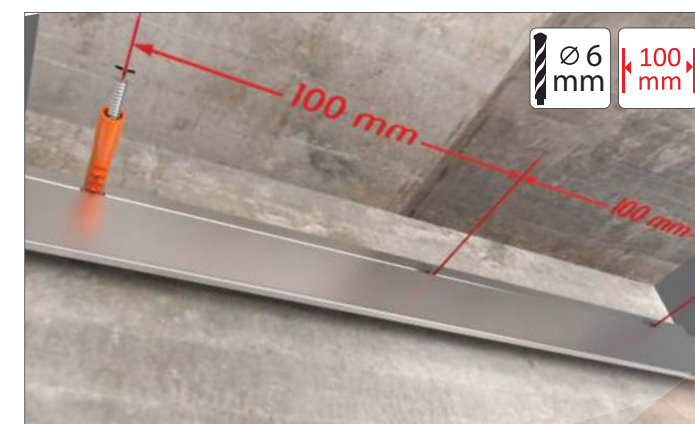


CUTTING PROFILE CORNERS

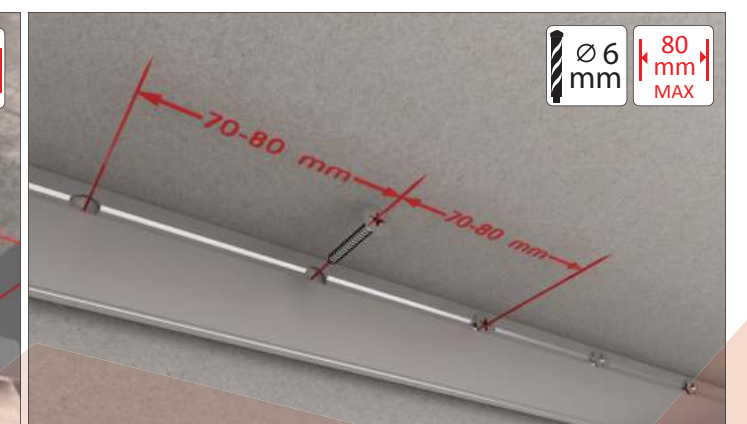


MOUNTING PROFILE AL 05

Fastening the profile to the concrete wall or ceiling



Fastening the profile to the plasterboard wall or ceiling

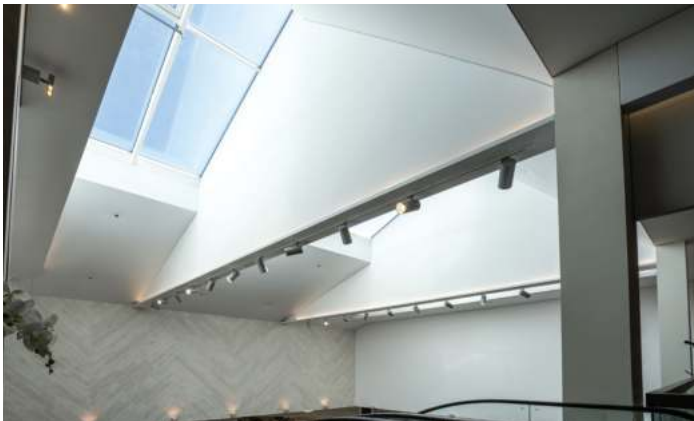




AL 06-A

Aluminum profile for installation of the second level

OBJECTS DONE WITH THIS PROFILE

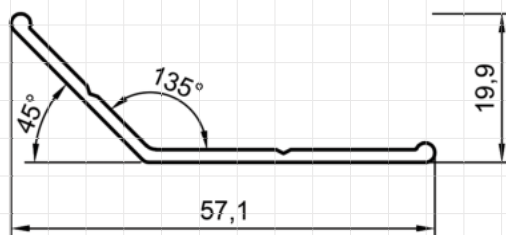


Pärnu Kaubamajakas mall

Estonia / Pärnu Installer: Vecta Design



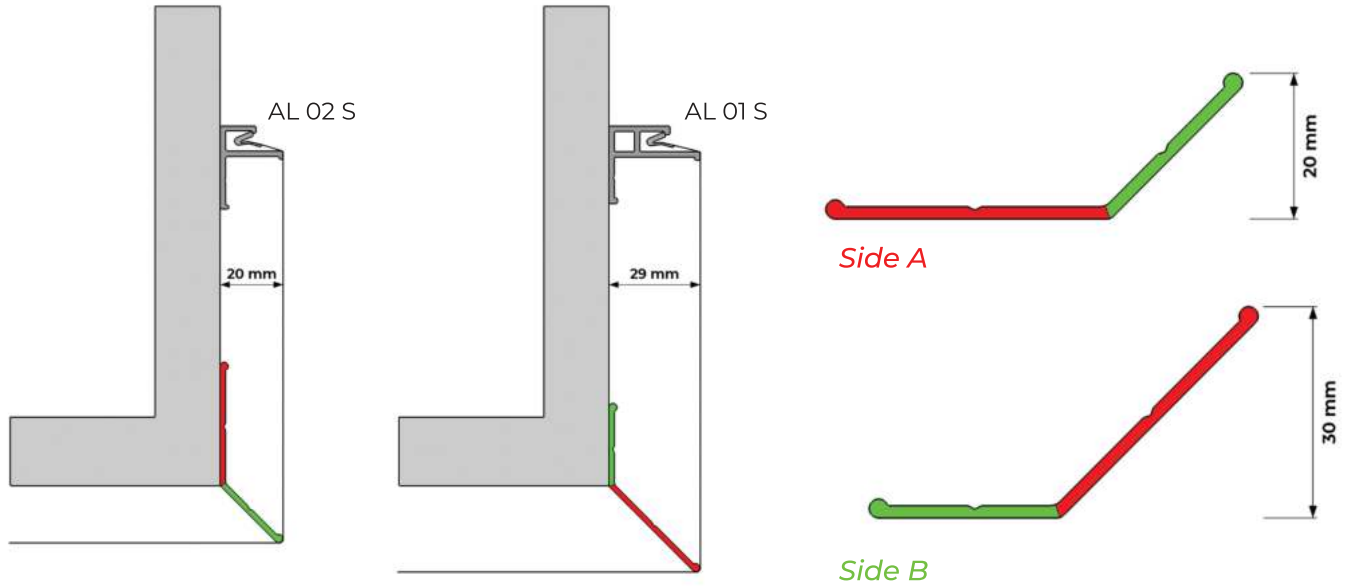
PROFILE REAL-SIZE DIMENSIONS



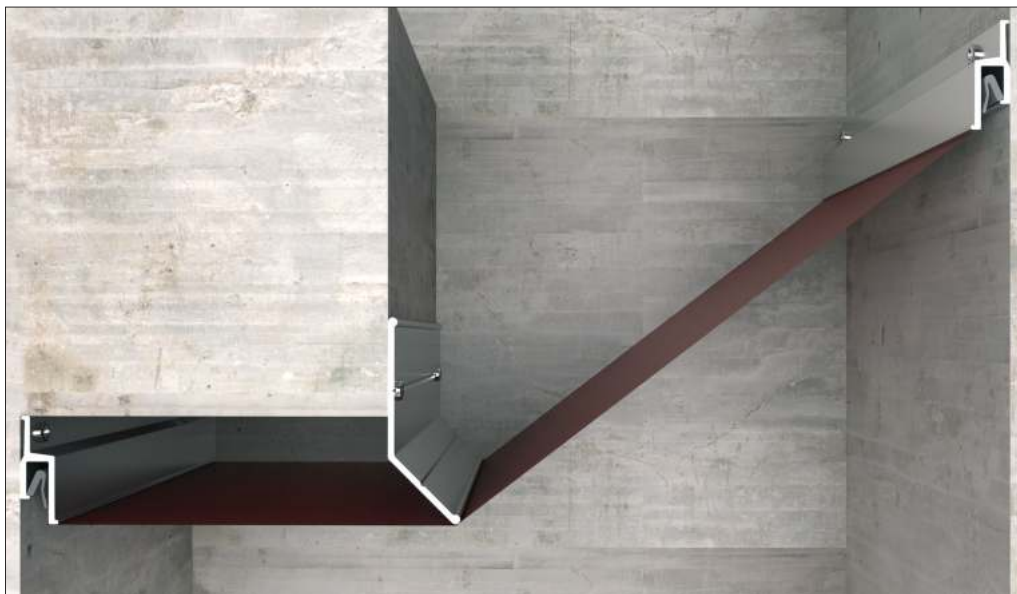
DESCRIPTION

In order to create multi-level ceiling surfaces, without any remarkable height loss, or rectilinear 3D shapes and to cover different parts of the ceiling with stretch ceiling material, we recommend using this profile. The profile is easily connected with other basic line profiles AL01, AL02, AL03, AL05, AL07 and AL11. The installation on the surface of the base ceiling or walls is an easy and effortless process.

USING OF PROFILE



- Stretch ceilings connection with profiles AL 05, AL 06A, AL 03 and AL 01S



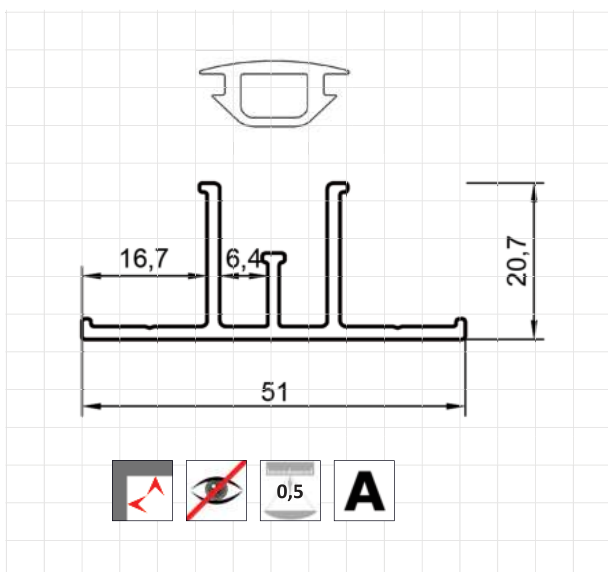
- Stretch ceiling connection with profiles AL 05 and AL 06A



AL 07-A

Aluminum straight separator

PROFILE REAL-SIZE DIMENSIONS



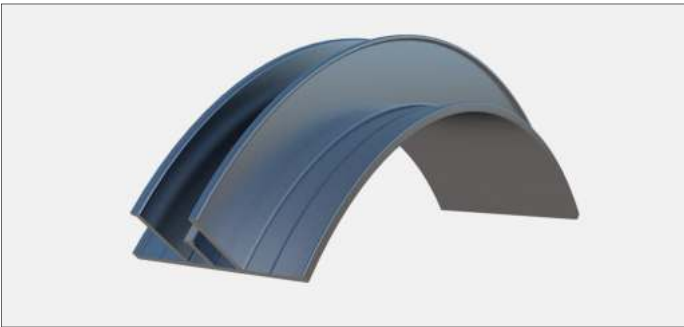
Installation of profile to the base ceiling using Vecta Design support ceiling system

DESCRIPTION

Separator is used for installing stretch ceilings to the wall or ceiling. Used for dividing grand surfaces of the ceiling to segments, and for passage to the second level, creation of the 3D shapes (arc, grotto, dome, and wave). Recommended area for installation with this profile is up to 50 m².

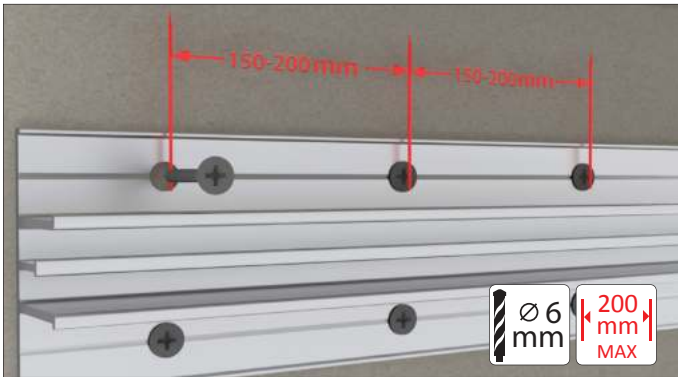
Using the profile as a ceiling divider: Ceilings have to be ordered simultaneously, as there can be tone difference of various film lots. If there will be a time gap between the orders, the production team might use another roll for the order. Multiple ceilings in the same room must be ordered together.

BENDING OF PROFILE

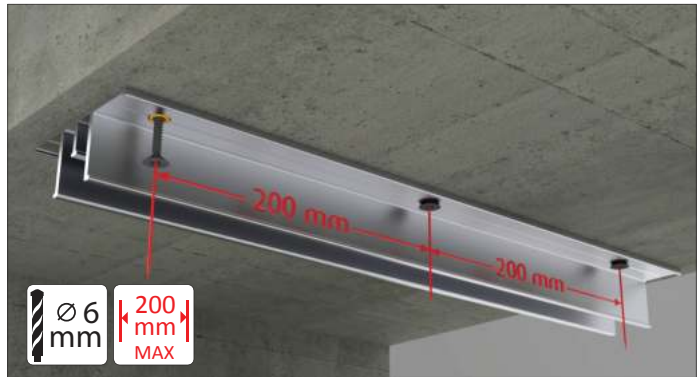


Bended in the factory aluminium profile AL 07-A for easy adaptation on site to rounded and vaulted shape

FIXING OF PROFILE

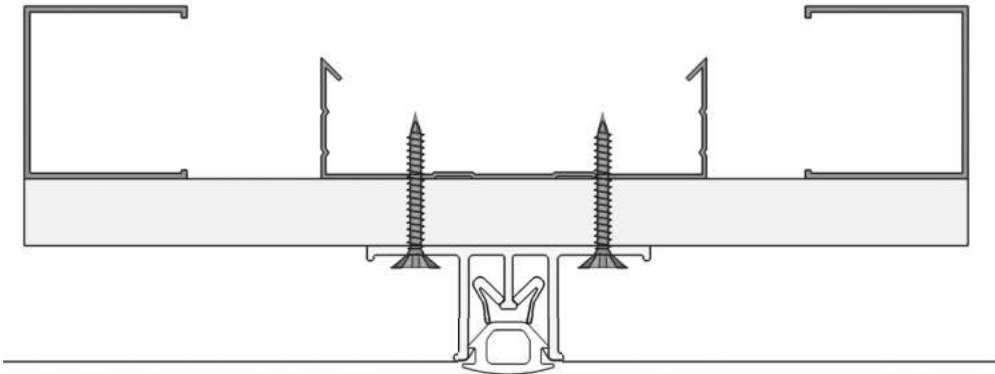


Fastening the profile to the plasterboard surface



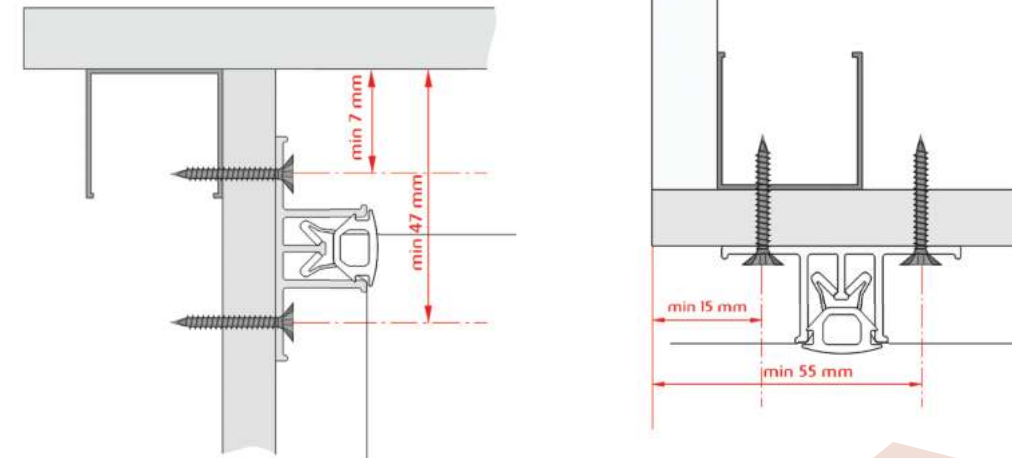
Fastening the profile to the concrete surface

FASTENING THE PROFILE TO THE METAL FRAMEWORK AND PLASTERBOARD

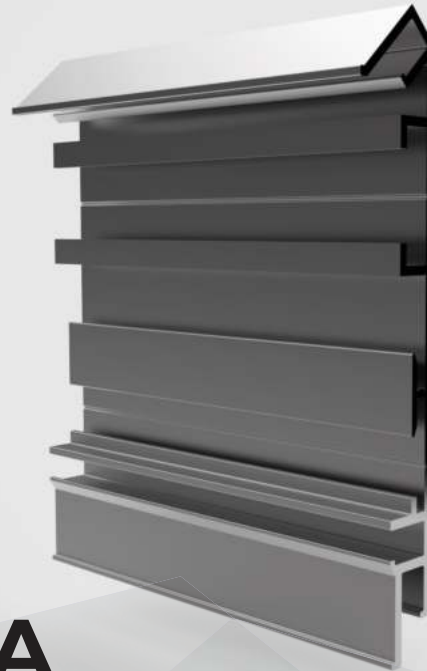


Cross-section of fastening the profile

In case of fixing the profile to the edge, the height of the decoration strip should be considered. Minimal space between the edge and the axle of fixation – 30 mm



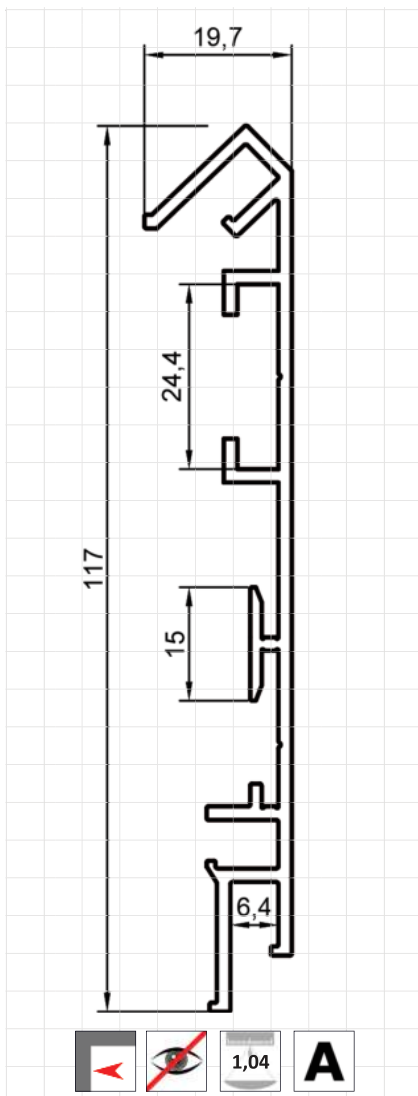
Cross-section of fastening the profile



AL 08 A

Aluminum light profile

PROFILE REAL-SIZE DIMENSIONS



DESCRIPTION

Profile is used for installing transparent stretch ceilings to the wall. Used also for creating an impression of perforated printed light stretch ceilings. The ceiling benefits from extremely pure lines, without visible tracks. The profile design enables the installation of different materials on 3 different layers. When creating corners with this profile, it is necessary to cut it precisely in 45-degree angles and mount together, because this profile can not be bent.

USING OF BAR WITH PROFILES

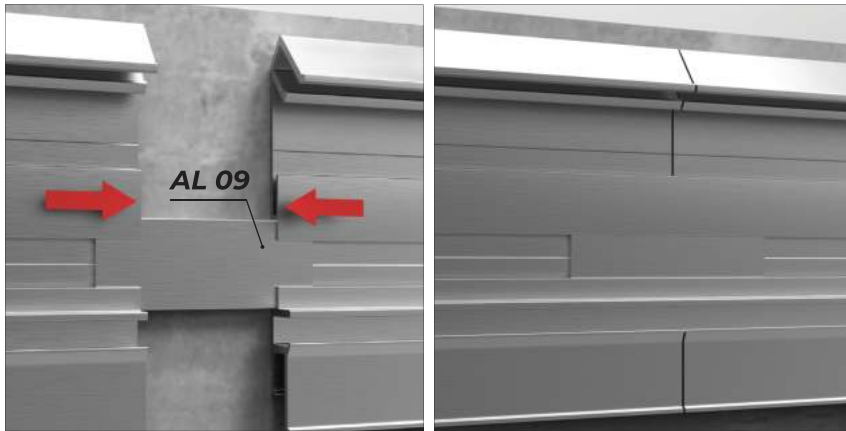


High Power LED is fastened to the 28mm wide section, placed on optimal distance from translucent membrane to avoid shades.

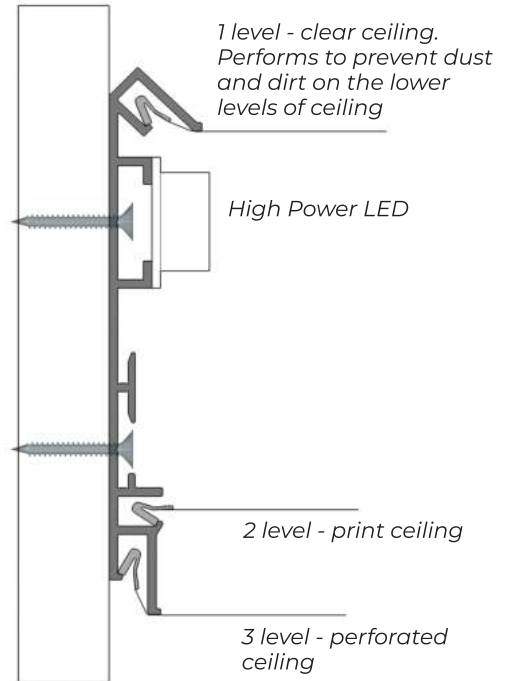


Mounting element HPF-01 enables an easy fixation of High Power LED to the profile.

CONNECTING PROFILES



Aluminum bar AL 09 20x2mm for connection of profile AL 08-A



FASTENING THE PROFILE

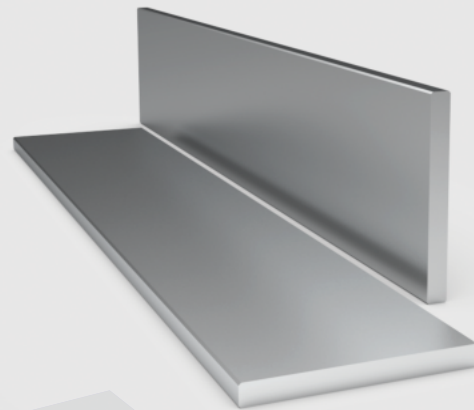


Fastening the profile to the plasterboard wall



Fastening the profile to the concrete wall

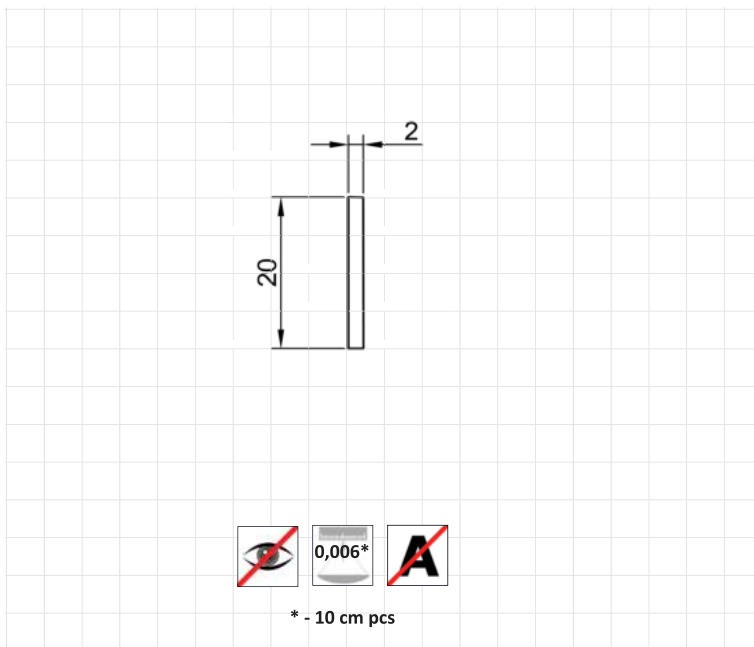




AL 09

Aluminum bar for mm connection of profile

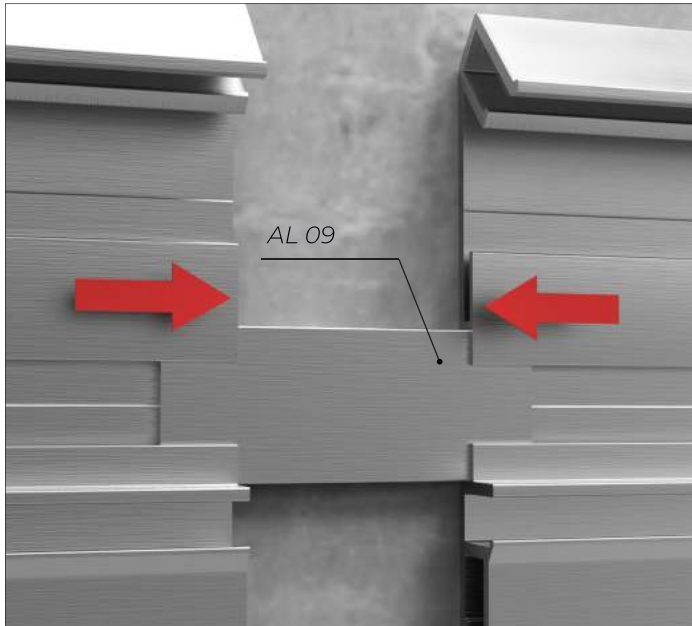
PROFILE REAL-SIZE DIMENSIONS



DESCRIPTION

The profile or rather extension strip is used as a connector between the profiles AL 08, AL 12 and AL 13, in order to stably and firmly connect two profiles with a side length longer than the standard dimensions (the standard dimension is 2,5m). For example, if the two profiles that need to be connected and continued are 5m long (2,5m x 2,5m) then we recommend to use up to 50 cm long connection bar that will hold the profiles securely united.

USING OF BAR WITH PROFILES



Aluminum bar 20x2 for connection of profile AL 08-A



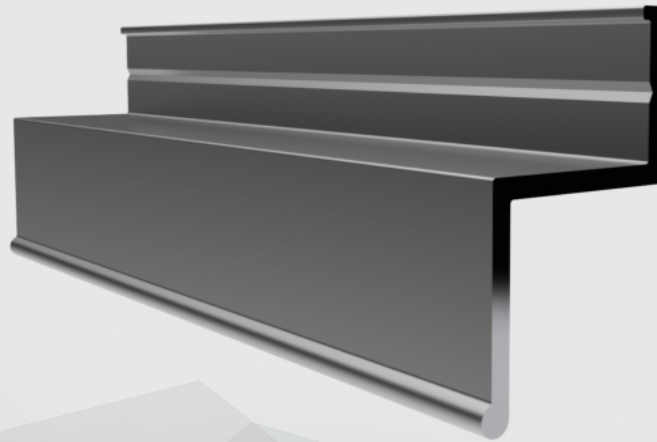
Aluminum bar 20x2 for connection of profile AL 12



Aluminum bar 20x2 for connection of profile AL 13



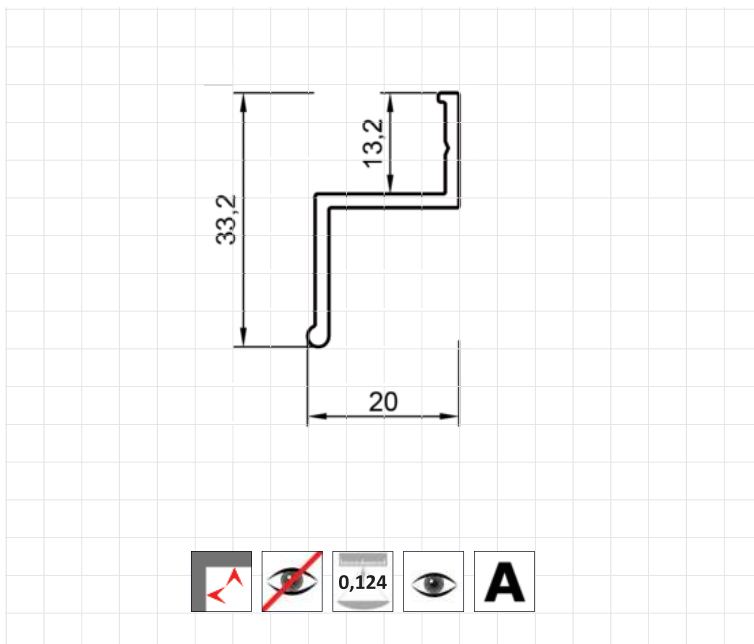
Aluminum bar 20x2 for connection of profiles AL 36 and AL 37



AL 10

Aluminum profile for installation of the second level.

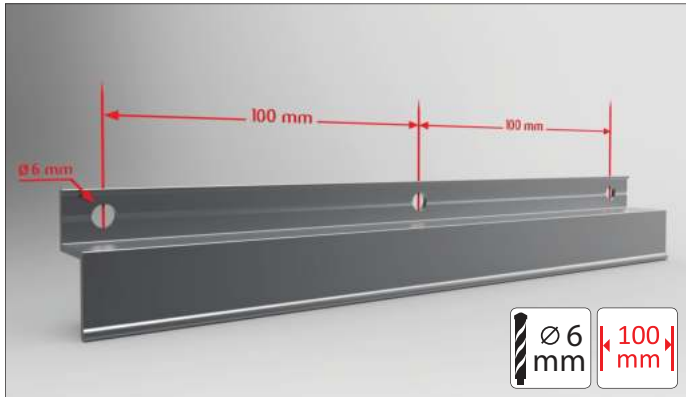
PROFILE REAL-SIZE DIMENSIONS



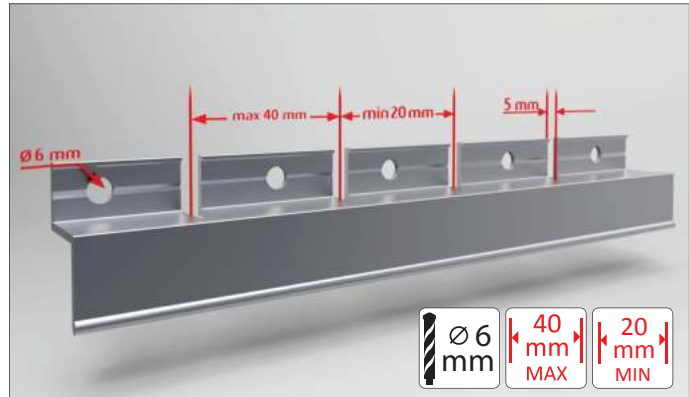
DESCRIPTION

Profile is used for creating curved 3D shapes in horizontal space. Easily connected with profiles AL01, AL02, AL03, AL05, AL07, and AL 11.

FASTENING THE PROFILE

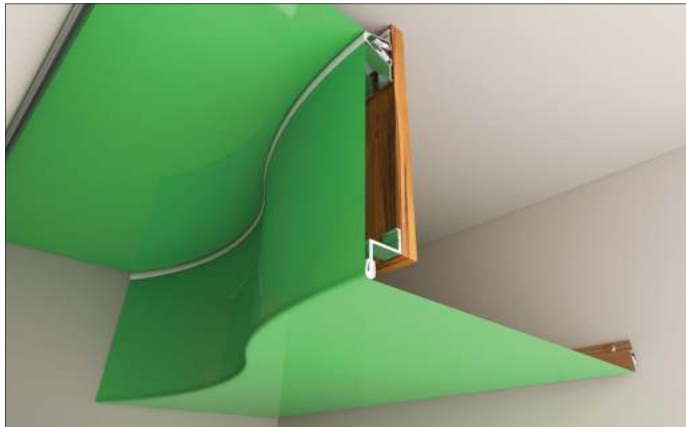
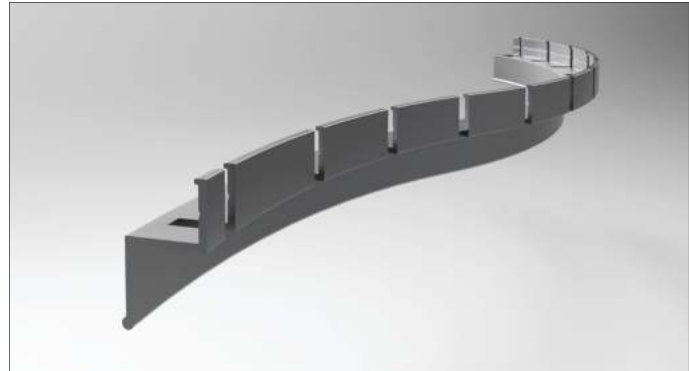
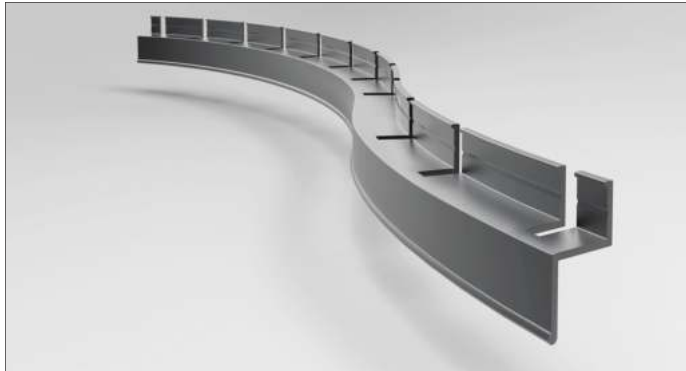


Fastening the profile to the straight surface

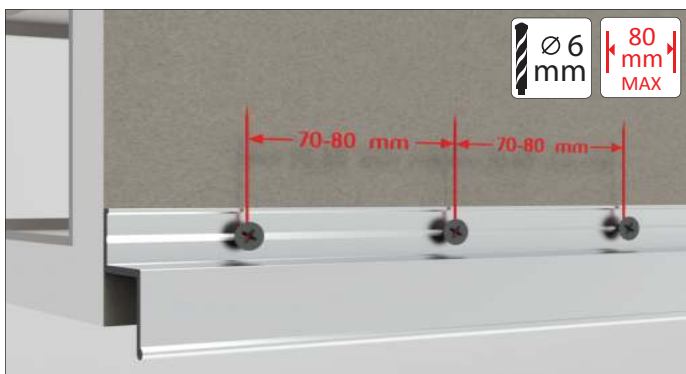


Pre-notched in the factory for easy adaptation on site to rounded and vaulted shape

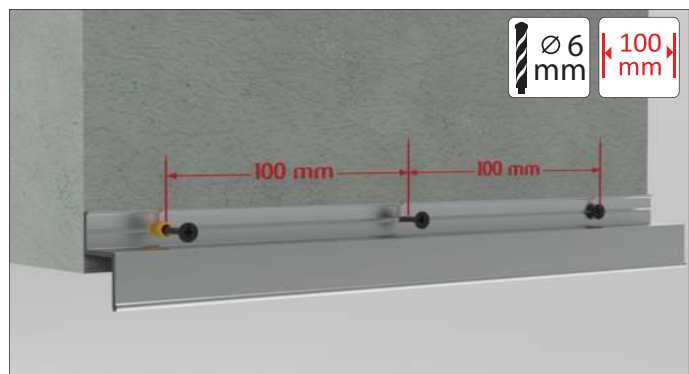
BENDING THE PROFILE

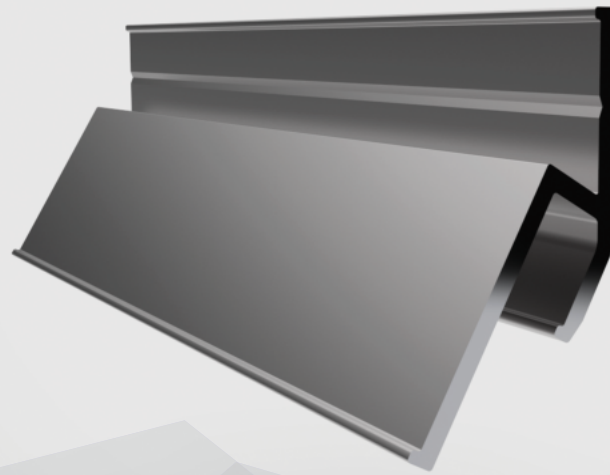


Fastening the profile to the plasterboard ceiling



Fastening the profile to the concrete ceiling

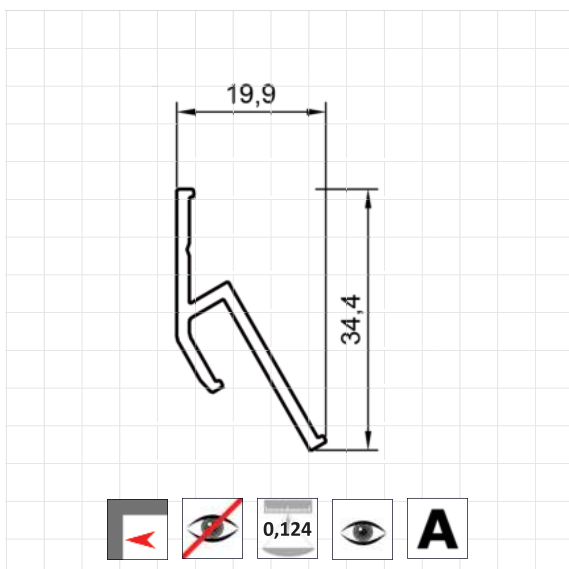




AL 11

Construction is used for connecting PVC film, on the outer angle of 90 degrees. It can be used as a separator.

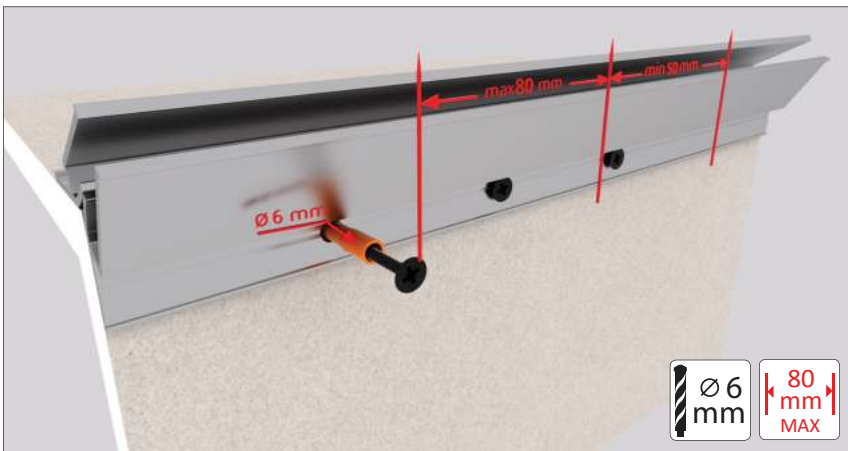
PROFILE REAL-SIZE DIMENSIONS



DESCRIPTION

The profile is suitable for creating divided zones of the stretch ceiling material and to create outstanding interior design, where different levels of the ceiling or walls can be covered with various materials.

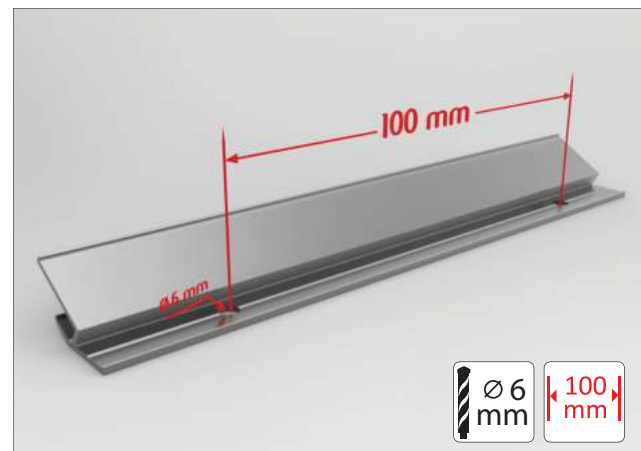
For the easy to use profile to be stably attached it needs to be fixed with screws after every 10 cm. When one would like to use the profile as a ceiling divider or create multiple ceilings in the same room, then it is important to order the ceilings at the same time as there can be slight color differences when comparing various stretch film batches.



Fastening the profile to the plasterboard



Fastening the profile to the concrete



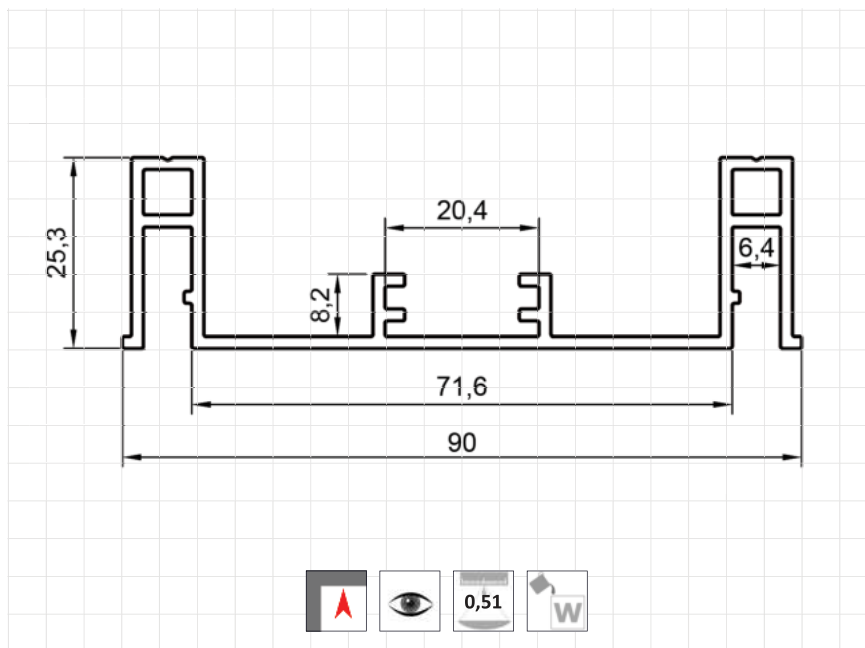
Drilling of the holes for the profile fixing on the straight surfaces



AL 12

Profile is used for installing stretch ceilings, used for the ceiling with cables.

PROFILE REAL-SIZE DIMENSIONS



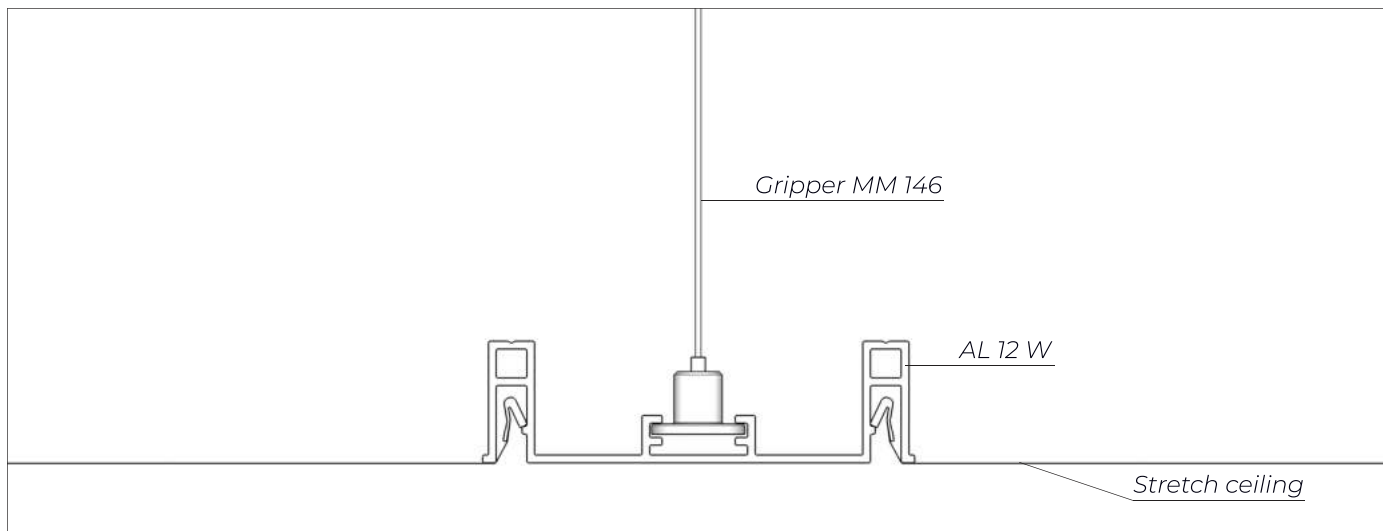
DISCRPTION

Profile is used for installing stretch ceilings in the rooms, where there are many cables and wires that need to be hidden inside the profile. It is suitable for dividing large ceiling areas, creating different zones, and installing lighting and other elements which require electrical cabling (such as lamps, fire detectors, etc). The recommended surface for the installation with this profile is up to 50 m². When using the profile as a ceiling divider then the ceilings have to be ordered simultaneously, as there can be tone difference in various stretch film batches. If there will be a time gap between the orders, production might use another roll to complete the order. Multiple ceilings in the same room must be ordered together.

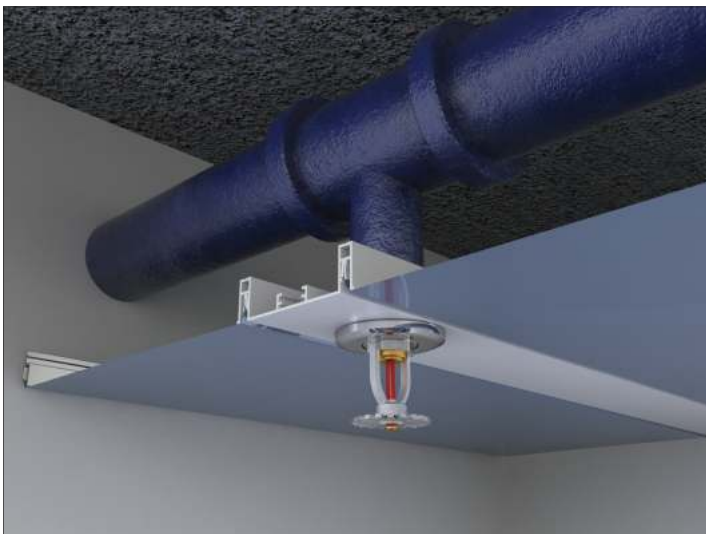
CONNECTING PROFILES BY THE LENGTH



Aluminum bar 20x2 for connection of profile AL 12



Sprinklers can be built into Vecta Design stretch ceilings using suitable techniques according to applicable standards.



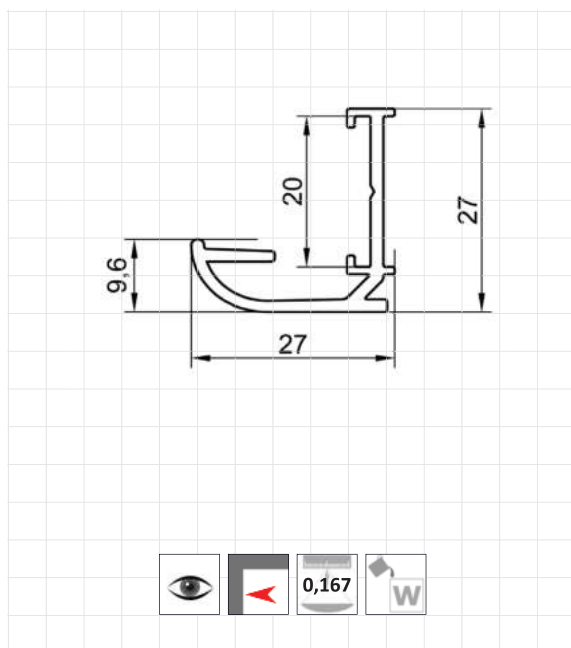


AL 13

Used with visible harpoon

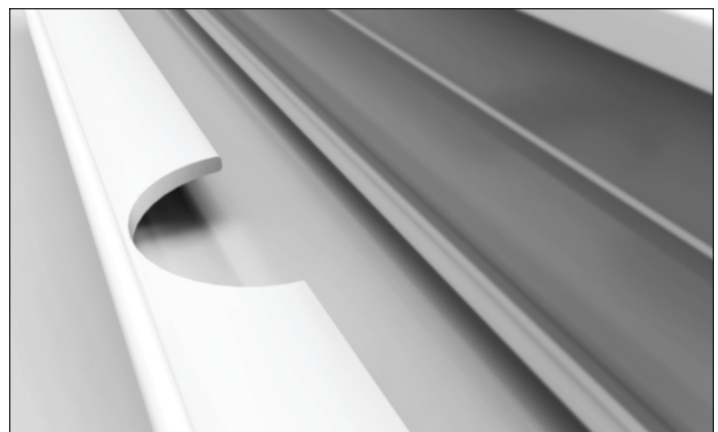
Profile is used for installing stretch ceilings exclusively to the wall. It creates the effect of molding around the perimeter of the stretch ceiling. The profile cannot be bent. The profile will be pre-notched (max 40mm and min 20mm steps) in the factory for an easy installation on site. Used with visible harpoon!

PROFILE REAL-SIZE DIMENSIONS



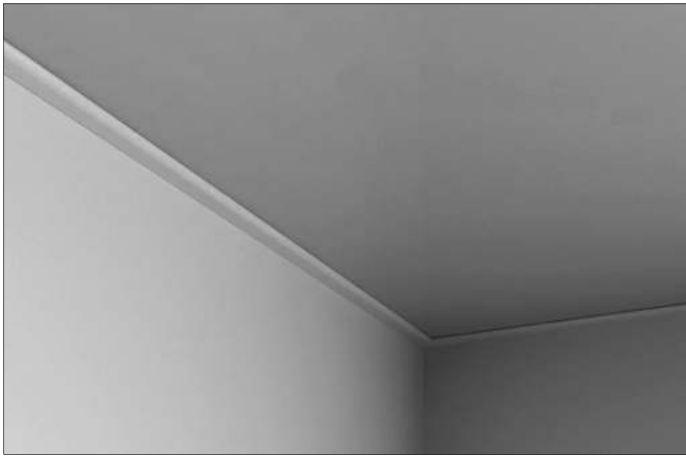
DESCRIPTION

Used in the construction for the installation of stretch ceilings exclusively to the wall. It creates the effect of molding around the perimeter of the stretch ceiling. Milled slots on the edge of the profile provide a better clutch of harpoon and profile. A special section is considered for the junction of the profiles with the special aluminum bar AL09.

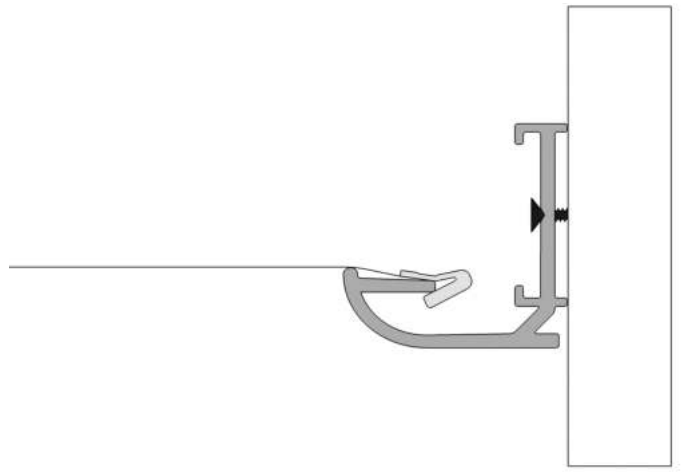


Milled slots on the edge of the profile provide better clutch of harpoon and profile.

MOLDING EFFECT WITH AL 13

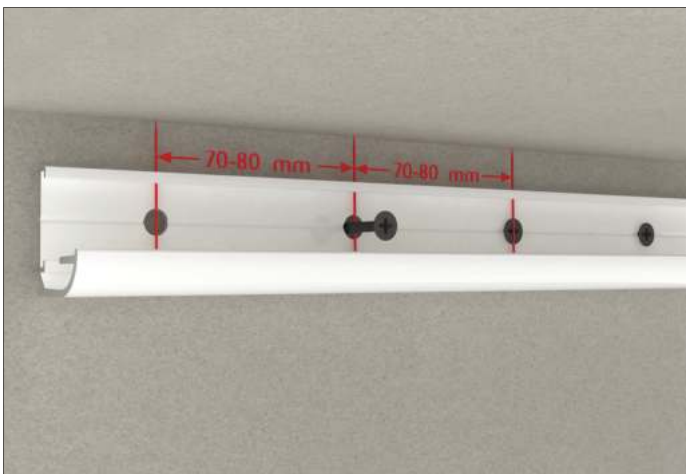


CONNECTING OF PROFILE

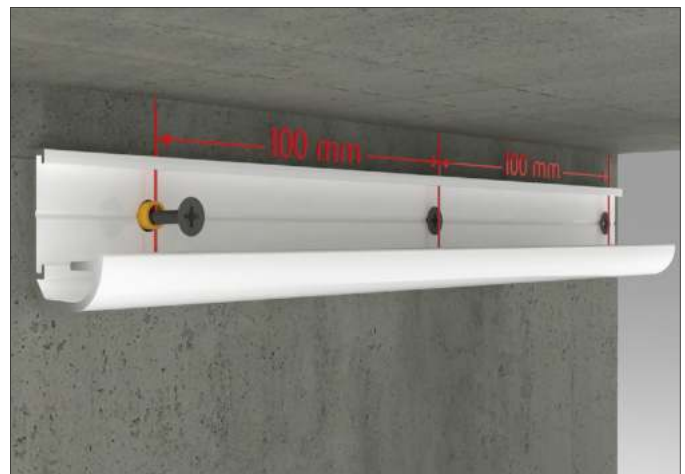


A special section is considered for the junction of the profiles with the special aluminium bar AL09.

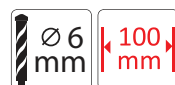
FIXING PROFILE TO THE WALL

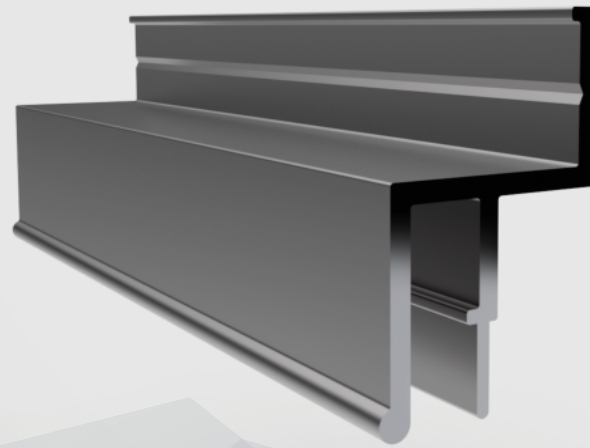


Fastening the profile to the concrete surface



Fastening the profile to the plasterboard surface





AL 14

Aluminum wall profile for a montage of the stretch ceilings with LED lighting elements

OBJECTS DONE WITH THIS PROFILE



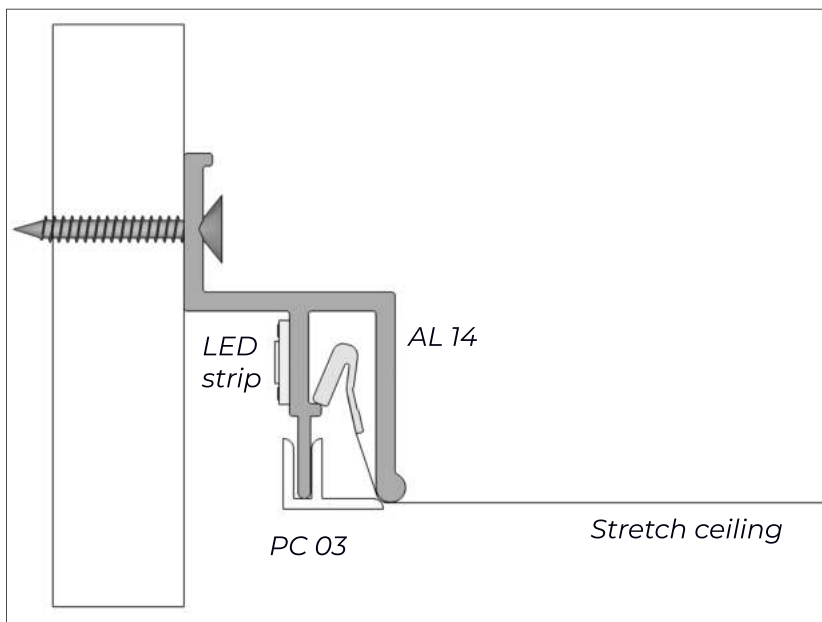
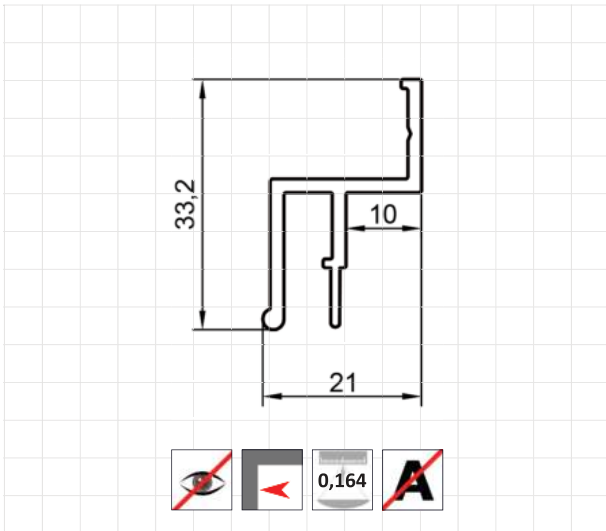
Private apartments

Germany | Installer: CBS Spanndecken

DESCRIPTION

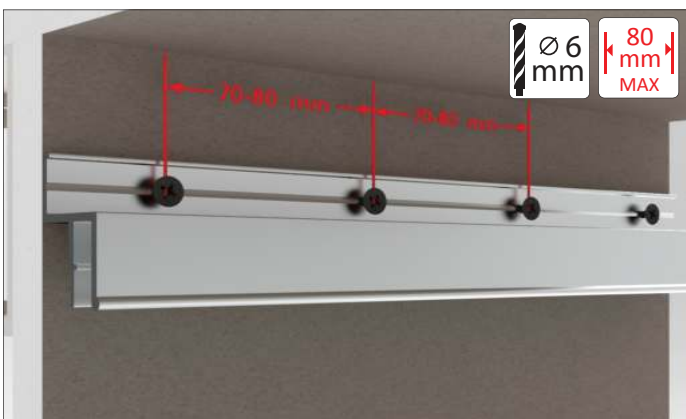
AL 14 is developed for installing stretch ceilings with LED-backlit along the perimeter. LED strip is mounted to the specially intended space with a width of 15 mm on the backside of the profile. This profile is not anodized. Used with PC 03. This profile allows bending also with minimum diameter for bending 150cm (radius 75cm).

PROFILE REAL-SIZE DIMENSIONS

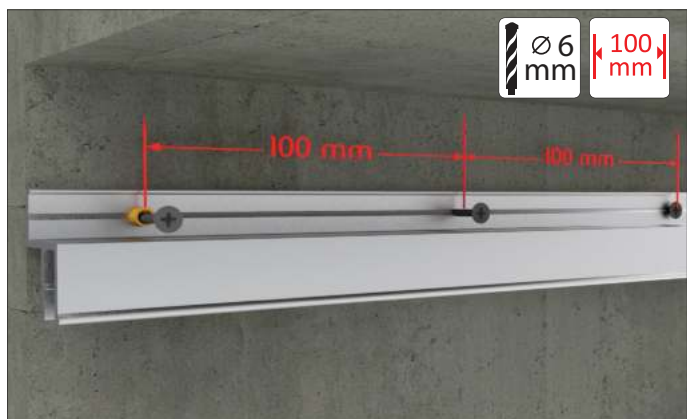


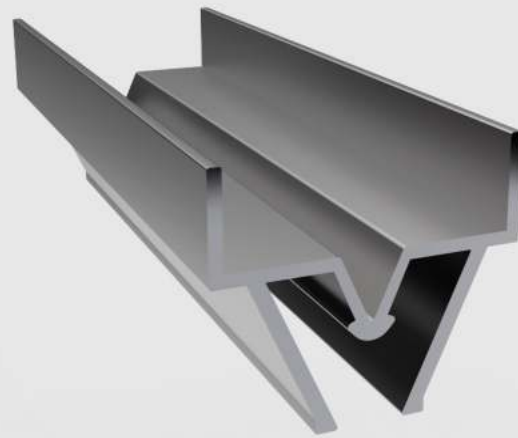
FASTENING THE PROFILE

Fastening the profile to the plasterboard ceiling



Fastening the profile to the concrete ceiling





AL 15 A

Separator AL15-A is designed to divide large stretch ceilings areas.

OBJECTS DONE WITH THIS PROFILE



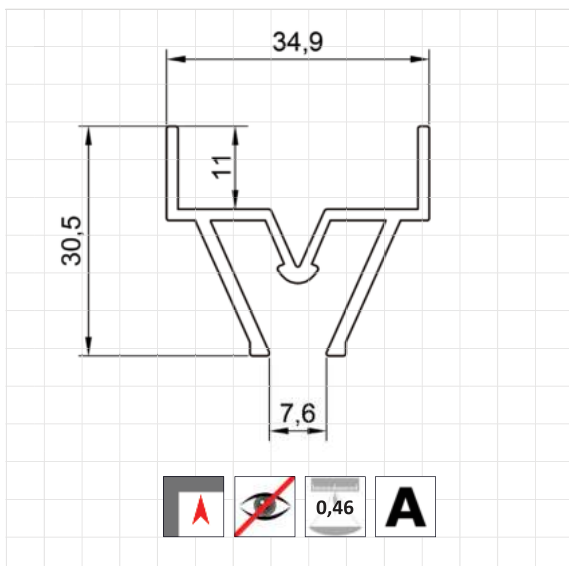
Thule Koda
Estonia / Kuressaare
Installer: Vecta Design



Suure-Jaani Wellness Center
Estonia / Viljandi District
Installer: Vecta Design



PROFILE REAL-SIZE DIMENSIONS



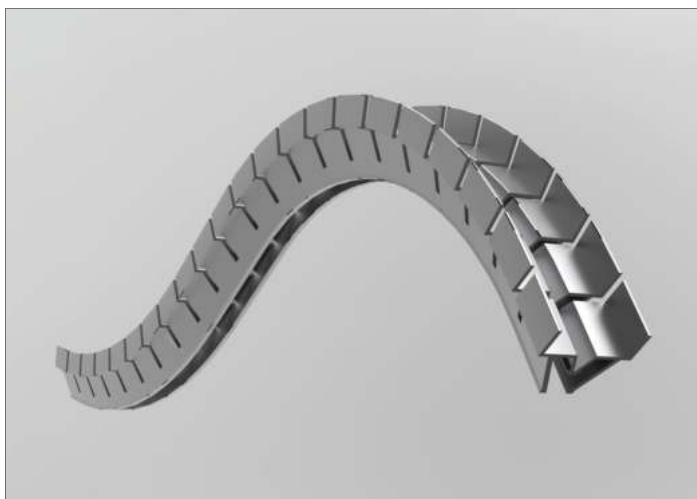
DESCRIPTION

Separator AL 15 is designed to divide large stretch ceiling areas, in order to create unified ceiling zones. The profile is also bendable, allowing to create circles with up to 50 cm diameter size. Thanks to the profile design, it doesn't create any noticeable shadow effects on the ceiling that might appear when separator profiles are used in large surfaces covered with backlit stretch material. It can be used independently as well as combined with profile AL17. Easy to install, especially when the height from the base ceiling starts from 8cm, then we would recommend special profile fixing equipment - Vecta support system.

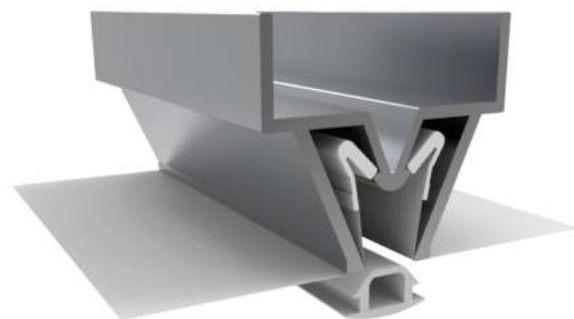
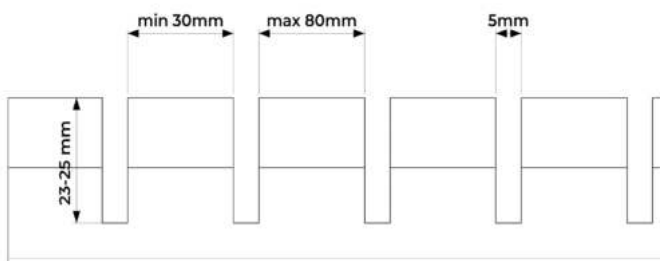
ABILITY TO INSTALL THE PROFILE TO THE BASE CEILING



ABILITY TO MAKE CURVED FORMS



When using the profile as a ceiling divider one have to keep in mind that the ceilings have to be ordered simultaneously, as there can be tone difference between various stretch film batches. If there will be a time gap between the orders, production might use another roll for the order. This is why we recommend ordering multiple ceilings for the same room at the same time.



Decoration strip PC 04W in usage with AL 15 A



▲ **Das House Commercial Building**
Estonia / Tallinn
Installer: Vecta Design

▼ **Commercial Building**
Estonia / Tallinn
Installer: Vecta Design



AL 16 and AL 17

Aluminum profiles AL 16W+AL 17 for creating reliable modular constructions and also 3D forms.

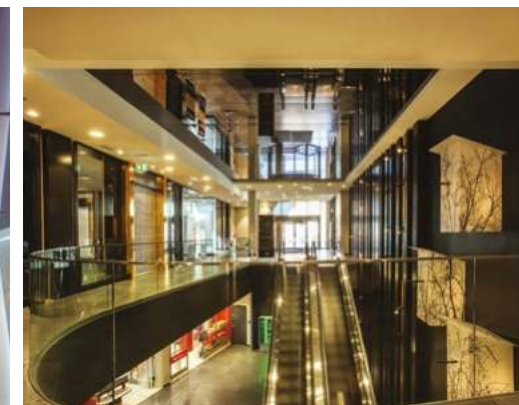
THE ADVANTAGES OF AL 16 PROFILE

- Exceptional modular/constructive profile for creating frames in interior design
- This profile is convenient to install and easy to attach with the connection details
- The system enables to have minimum height (33mm) between stretch ceiling and base ceiling

SENSATIONAL OBJECTS DONE WITH THIS PROFILE



Das House Commercial Building
Estonia / Tallinn
Installer: Vecta Design

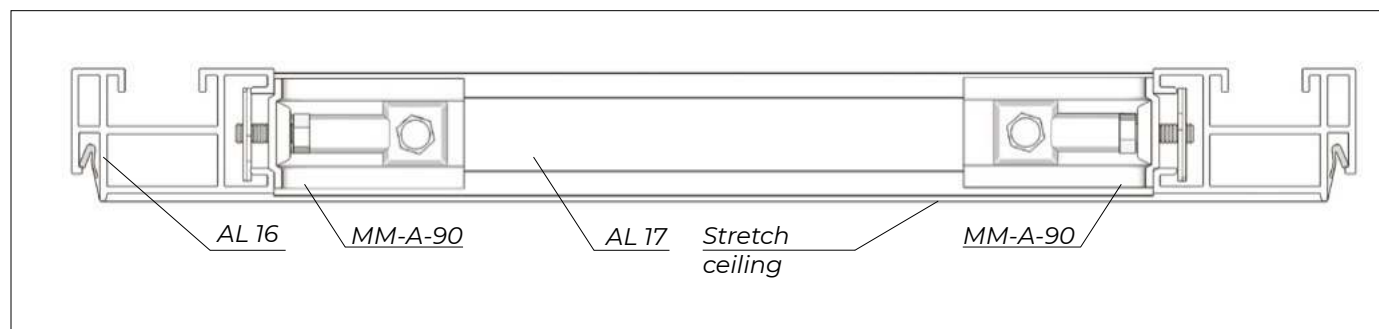
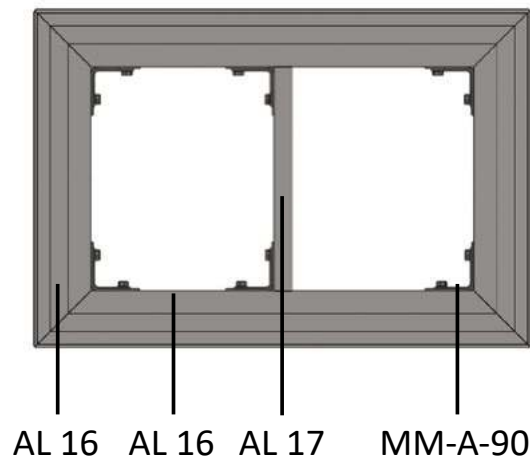
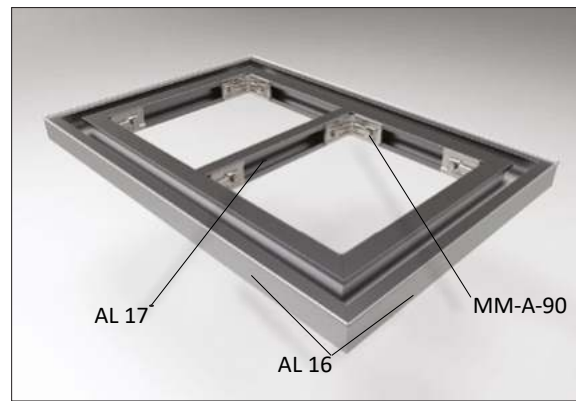
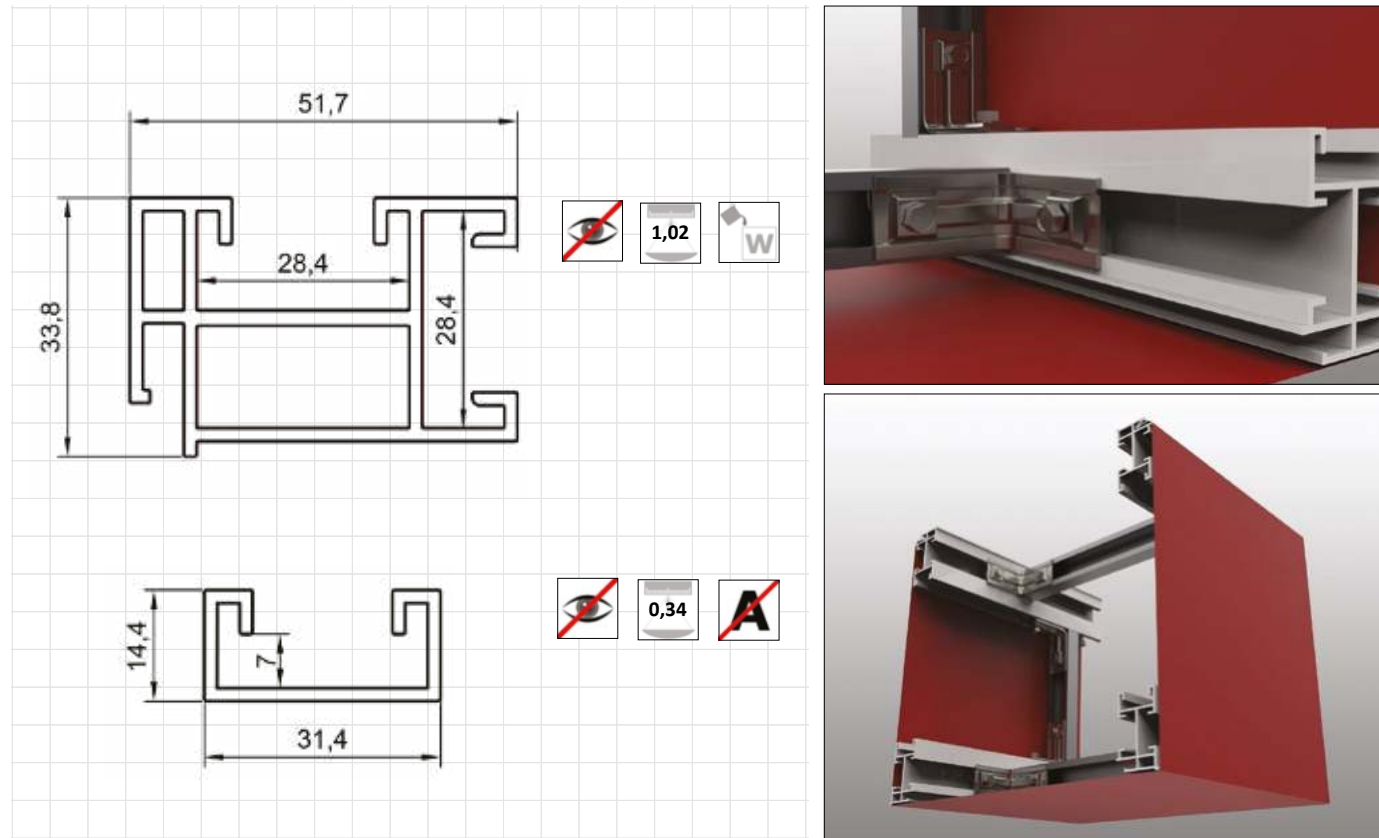


Commercial Building
Estonia / Tallinn
Installer: Vecta Design



Kalev Spa Hotel & Water Park
Estonia / Tallinn
Installer: Vecta Design

PROFILE REAL-SIZE DIMENSIONS



DESCRIPTION

This well-thought system enables to create eye-catching ceiling solutions and aesthetically framed modules. The profiles are strongly fixed with the connection details MM-S, MM-ST, MM-AH-90, and MM-A-90. The stretch ceiling used with this connected profile solution needs to have MINI harpoon, in order for the end result to be visually delightful and for the system to have all its necessary functions in the future – for example the possibility to re-open the ceiling repeatedly in case there is a need for that (water damage or other unexpected cause). Easy corner fixing with LC01 corner mounting elements. Stretch ceilings are made with small reduction using this profile.

CONNECTION DETAILS

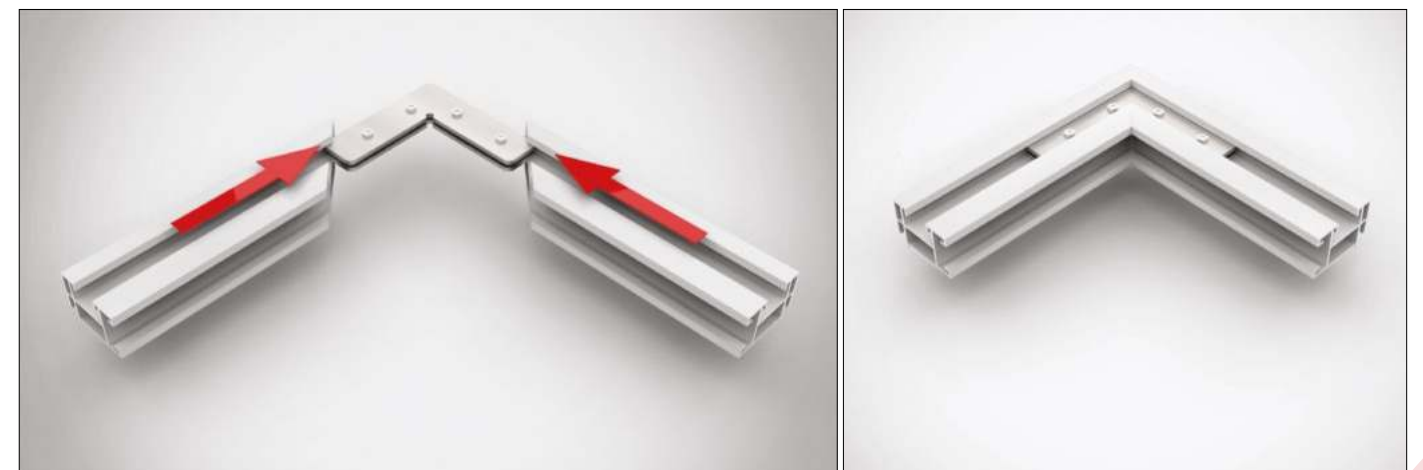


Details for the connection of modular profiles:

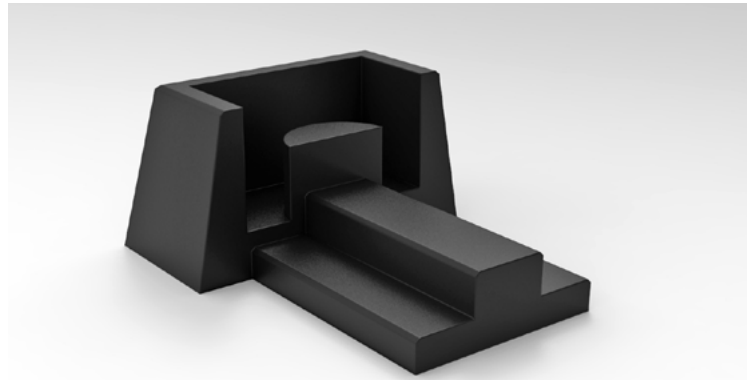
- Connection MM-S
- Connection MM-ST
- Corner connection MM-AH-90
- Corner connection MM-A-90



CORNER CONNECTION USING LC-01

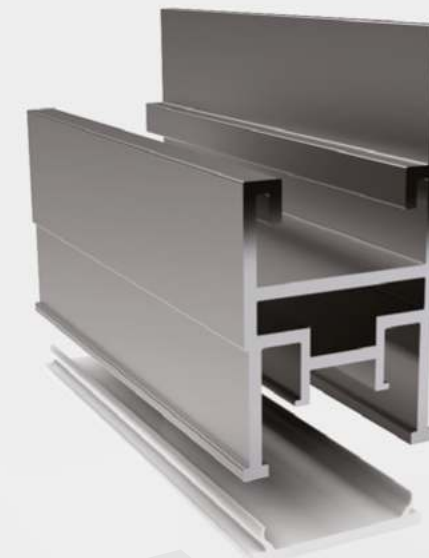
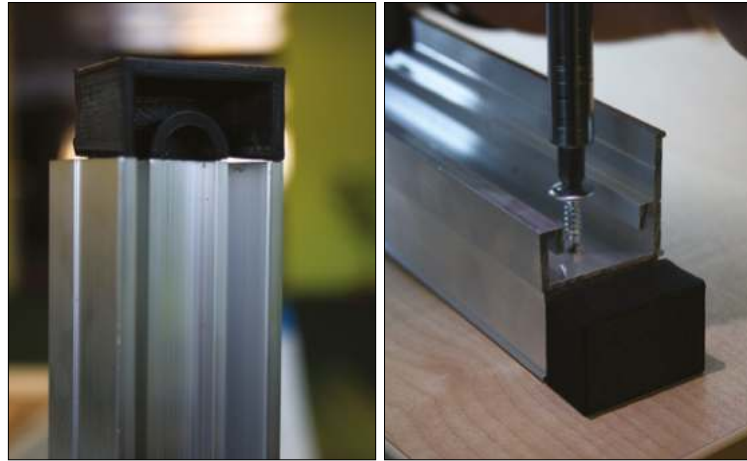


ABILITY TO INSTALL THE PROFILE TO THE BASE CEILING



The Key Light ending CAP-1 enables to have more variations in design. Now with CAP-1 the lighting line can end in the middle of the stretch ceiling enabling to create a modern lighting solution.

Using CAP-1 with AL18 profile: **When making a ceiling drawing with AL18 + CAP-1 in the middle of the ceiling, please take notice that the AL18+CAP-1 must be 4cm shorter on the drawing than the actual profile with CAP-1.** Otherwise, you will have too much harpoon on the actual ceiling. For example, the AL18+CAP-1 is 340cm, then on the drawing, it should be written 236cm. Before installing the ceiling the CAP-1 must be fastened to the profile with a screw. With the CAP-1 the ceiling installation always starts at CAP-1.



AL 18 Key Light

VECTA KEY LIGHT system enables the creation of modern interior designs by using light accents.

THE ADVANTAGES OF AL 18 PROFILE

- The profile makes it easy to create asymmetrical and diagonally intersecting lighting solutions on the ceiling or to the walls
- Sharp and correct light lines that can cover the entire ceiling or end in the middle of the ceiling if the desired light pattern requires it
- Possibility to add an accent with either warm or cold light to the room, and make it dimmable to add convenience

SENSATIONAL OBJECTS DONE WITH THIS PROFILE



Health center Tenerife
Spain / Tenerife
Installer: Alemas

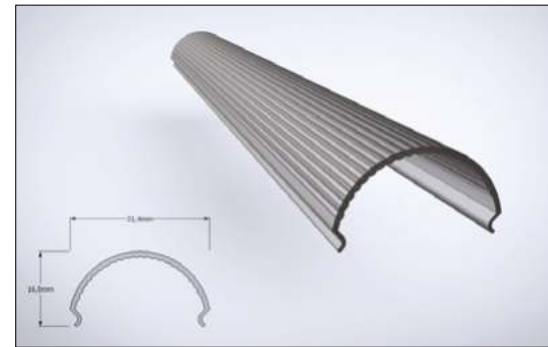
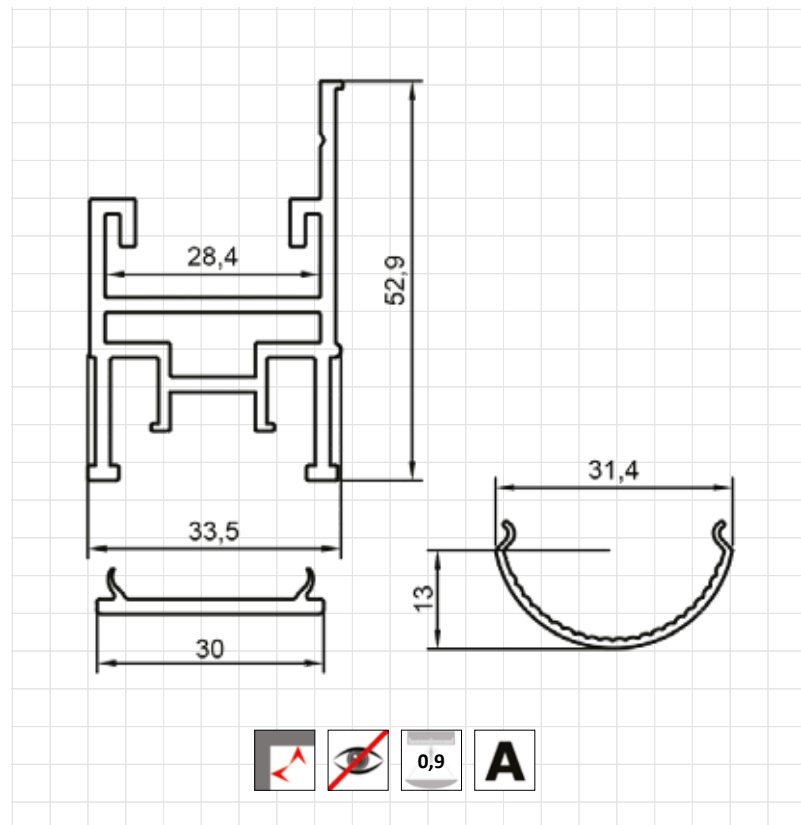


Transferwise office
Estonia / Tallinn
Installer: Vecta Design

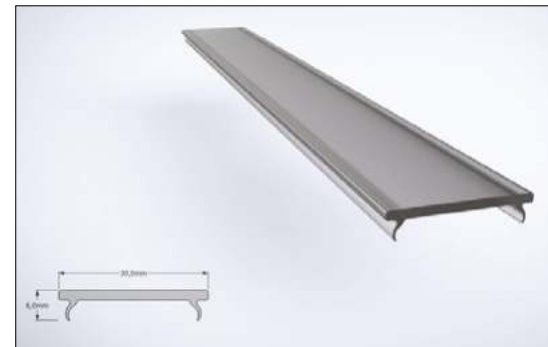


Transferwise office
Estonia / Tallinn
Installer: Vecta Design

PROFILE REAL-SIZE DIMENSIONS

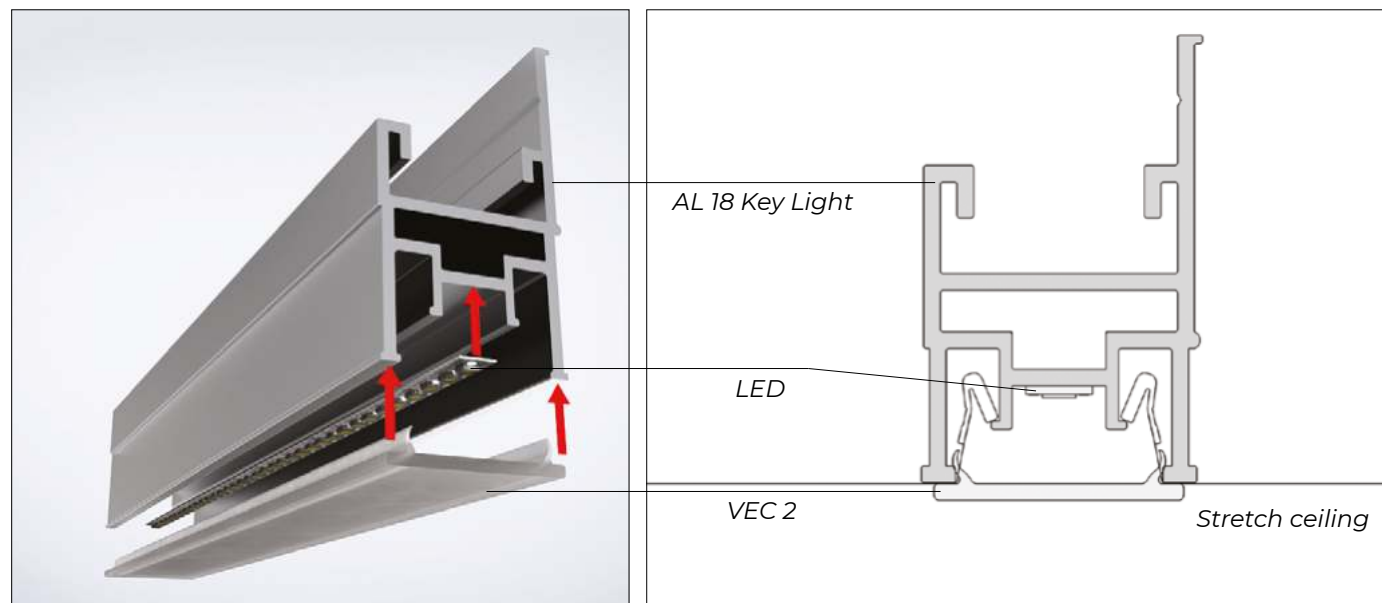


VEC 1 White matt round diffuser for profile AL 18



VEC 2 White matt flat diffuser for AL 18

USING VEC 2 WITH AL 18



DESCRIPTION

VECTA KEY LIGHT system enables the creation of modern interior designs by using light accents. The profile enables creating eye-catching light patterns on the walls as well as on the ceiling. High-quality stretch or gypsum board ceilings featuring fully integrated LED lighting will provide a unique and stylish appearance. Continuous light lines can be achieved with this 30mm wide integrated LED lighting. With specially developed diffusers two levels of illumination are possible, direct and scattered light. VECTA KEY LIGHT can be installed to create geometric patterns on the ceiling surface or to the walls. VECTA KEY LIGHT system features an aluminum profile AL 18, an LED light source and a matt diffusor. CAP-1 for the KEY LIGHT system has been developed by VECTA DESIGN to enable the creation of exciting ceiling designs. With CAP-1, the KEY LIGHT profile can end anywhere in the stretch ceiling. Standard profile length is 2,5m, but as for a special order, it is possible to make up to 5m long profile. Using the profile as a ceiling divisor: Ceilings have to be ordered simultaneously, as there can be tone difference of various film lots. If there will be a time gap between the orders, production might use another roll for the order. Multiple ceilings in the same room must be ordered together.

MOUNTING PROFILE TO THE CEILING USING VECTA SUPPORT SYSTEM



CONNECTING PROFILE BY THE LENGHT USING LC-07

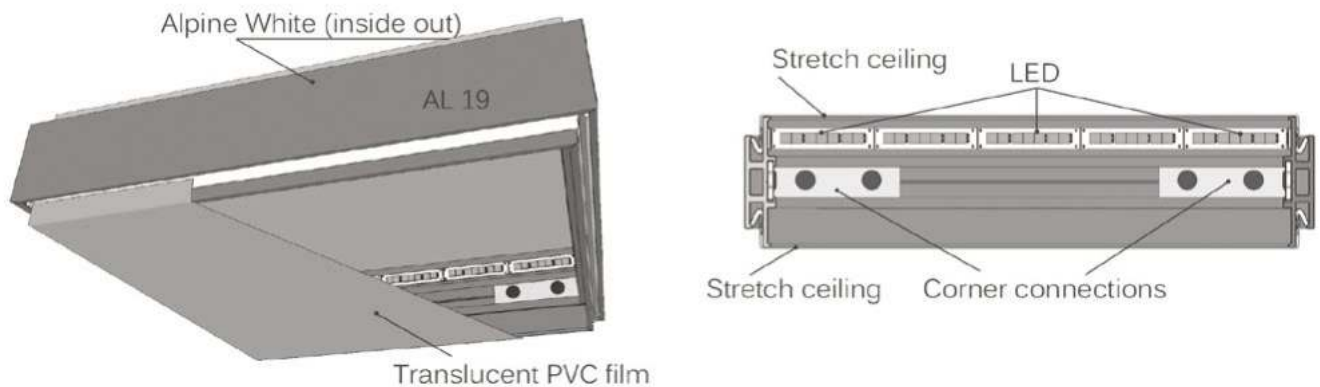




AL 19-A

Used with MINI harpoon

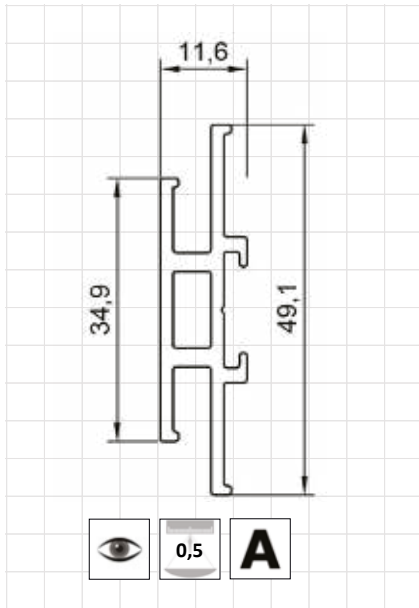
LUCA system is used for creating frames with stretch material



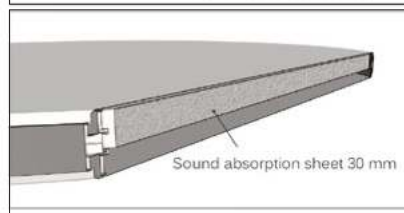
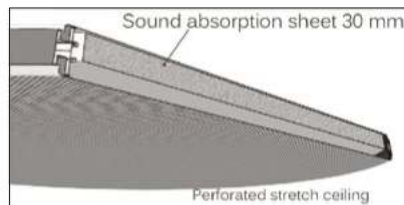
DESCRIPTION

The frames AL 19-LUCA can be used with Armstrong ceiling panels. And the frames can also be mounted on the ceiling to hang - in that case a cable fastening will be screwed to the frames outer side. It is also possible to create thin light or acoustic panels. For better sound absorption qualities we recommend using 50 mm thick sound absorption sheets. Maximum square module size is 60x60 cm, diameter for round panels for non-anodized profiles is maximum 1,59 m. Diameter for anodized round profile can be up to 200 cm. Standard profile length 2,5 m, special order only for anodized AL19 is 5 m long profile.

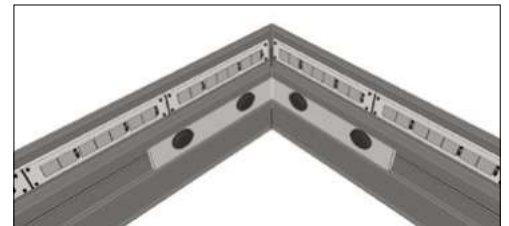
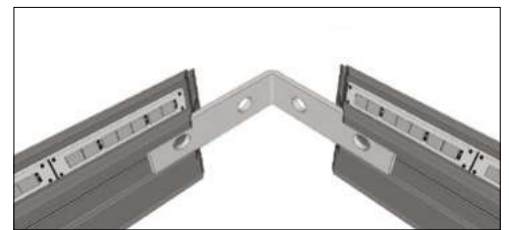
PROFILE REAL-SIZE DIMENSIONS



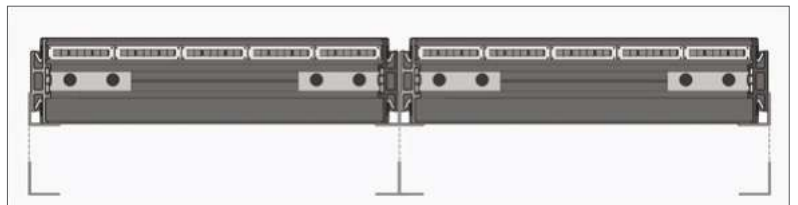
ACOUSTIC PANELS



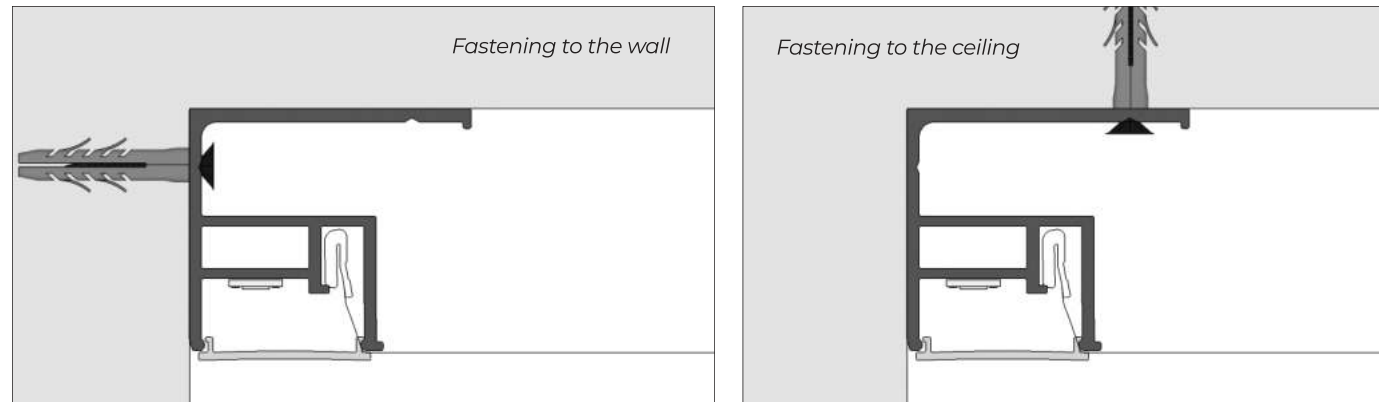
CORNER FIXING



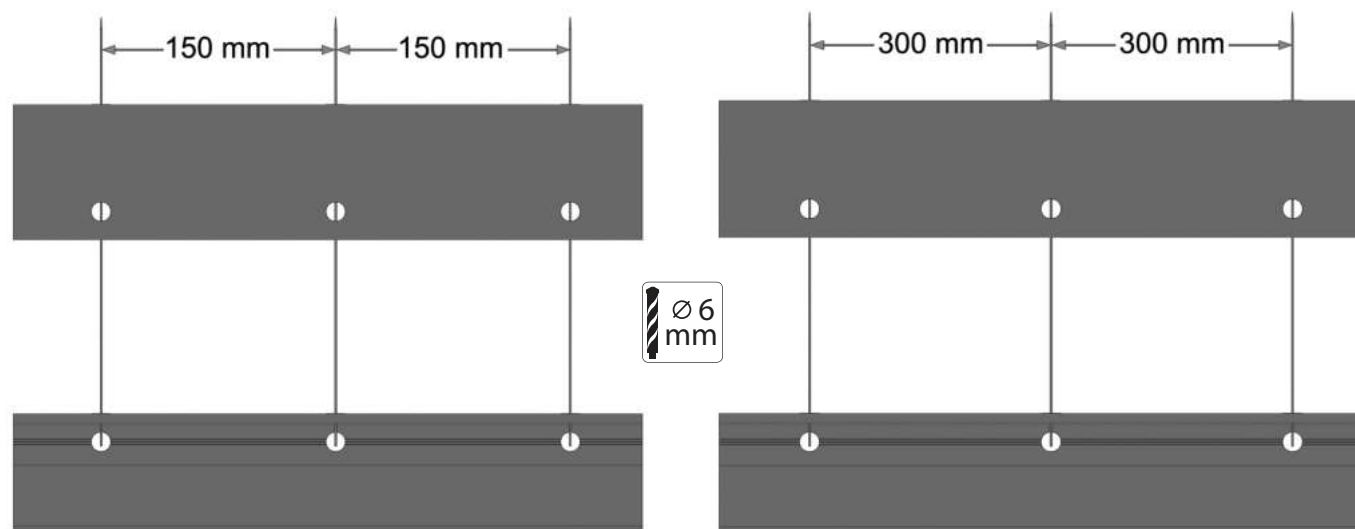
The frames AL 19-LUCA can be used with Armstrong ceiling panels



ABILITY TO INSTALL THE PROFILE TO THE BASE CEILING



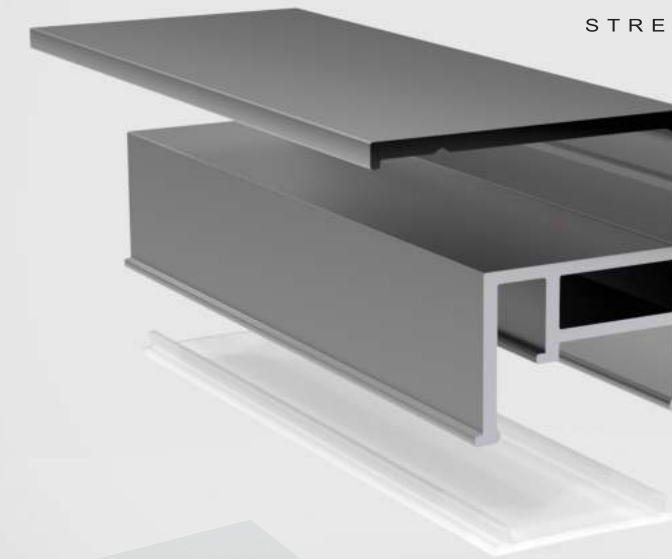
FIXING PROFILE



For gypsum surfaces

For concrete surfaces

Recommended screw fixing centers for the AL-20 profile are 300 mm for concrete surfaces and 150 mm for gypsum boards. Drill size – 6mm diameter.



AL 20 Crown Light

AL 20 Aluminum profile CROWN LIGHT system is used for walls and ceilings for creating cornice lightning around the perimeter of the room.

THE ADVANTAGES OF AL 20 PROFILE

- Functional light profile that can be mounted on the ceiling and on the walls, enabling creating perfectly diffused light lines at any part of the ceiling.
- This profile can be combined with other Vecta profiles (AL 04, AL 05) to create light lines in specific zones of the space
- The profile diffuser evenly distributes the light of the LED spots (LR 57)

SENSATIONAL OBJECTS DONE WITH THIS PROFILE



Fietsenkelder Beursplein
Amsterdam
Holland / Amsterdam
Installer: Verwol

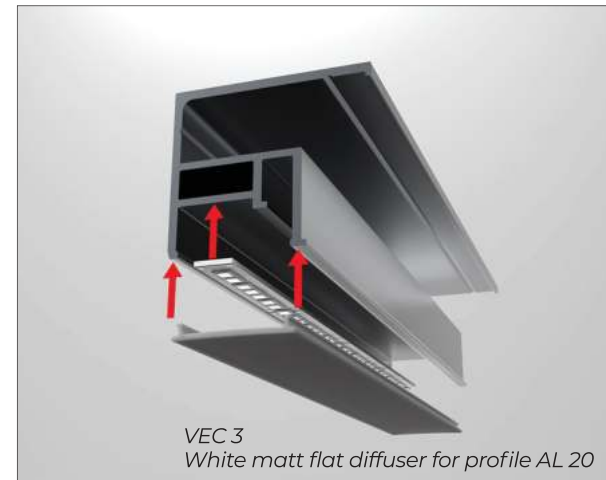
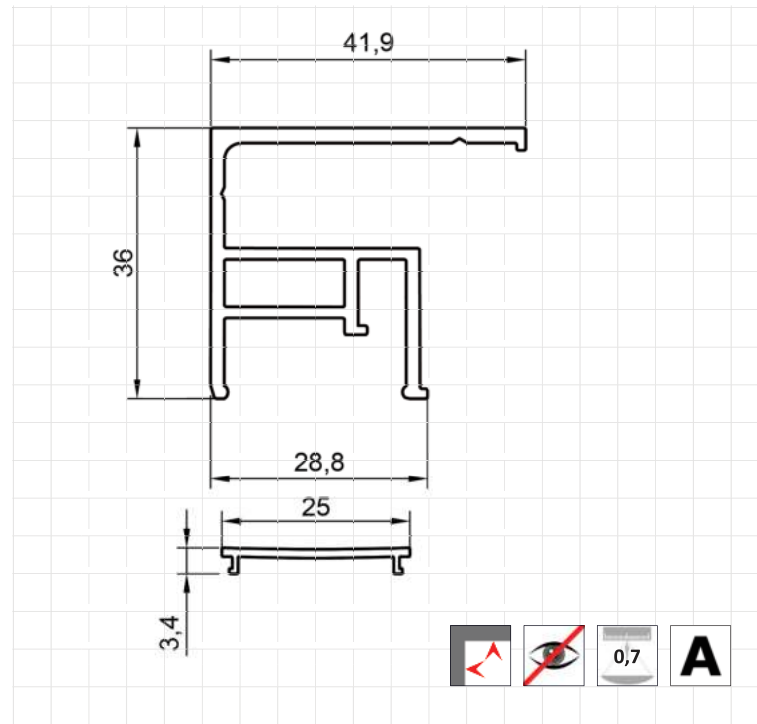


Commercial Pan'e Dolci bakery
USA (Florida) / Miami
Installer: Khrome Concepts Inc.



Vecta Design office
Estonia / Pärnu
Installer: Vecta Design

PROFILE REAL-SIZE DIMENSIONS



VEC 3 White matt flat diffuser for profile AL 20, is a high quality product, remaining its color and functional stability after years of being in use.



DESCRIPTION

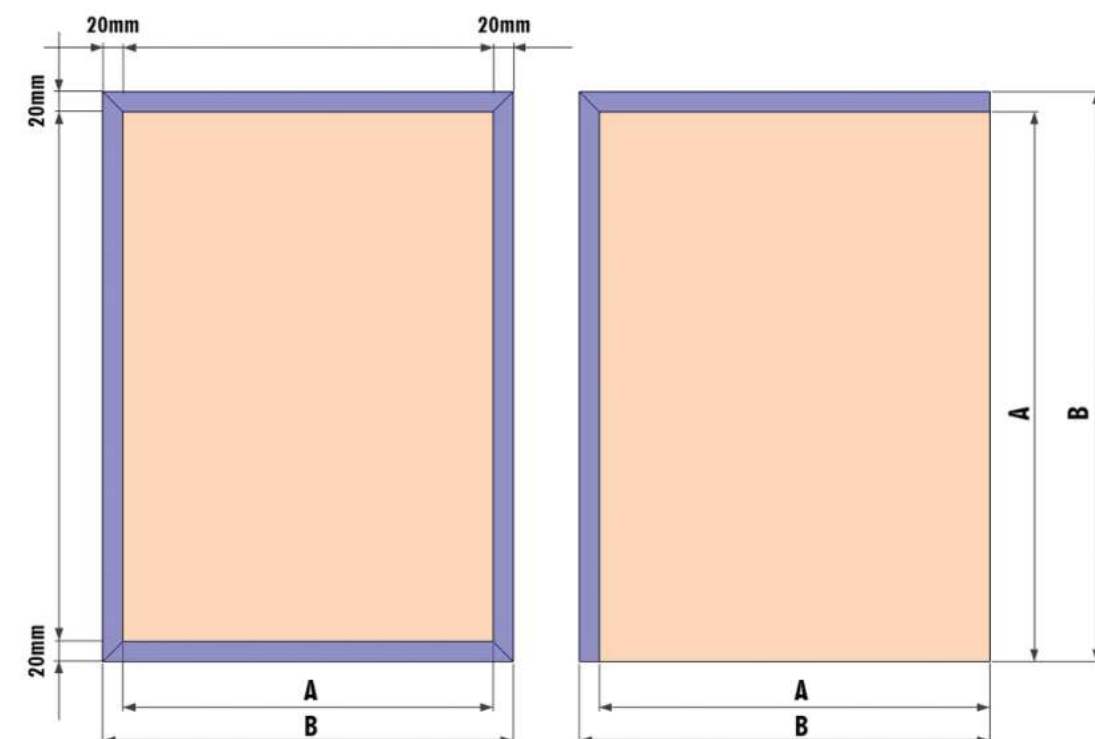
AL 20 aluminum profile CROWN LIGHT system can be fixed on the walls or on the ceilings for creating perfectly straight cornice lighting around the perimeter of the room or any other built in design element. Crown Light System AL20 + LR57 and VEC-03 are sold as a complete system, to create the desired light effects. The most evenly scattered light will appear when using LED lights LR 57. Other LED strip models will be seen on the ceiling as separate bright spots. Standard profile length is 2,5m, but special order can be up to 5m long profile. For creating corners (for example at an angle of 90 degrees) the profile needs to be cut in precise angle in Vecta Design factory.



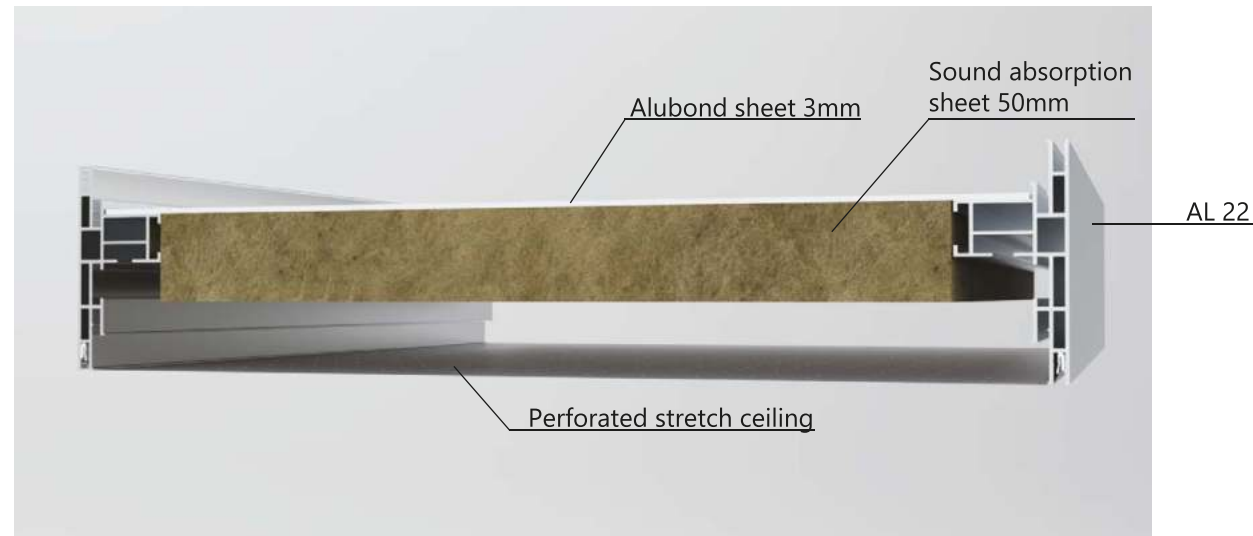
Creating corners with this profile means that the profile will be cut in precisely 45-degree angle in our production factory.

HOW TO CALCULATE STRETCH CEILING

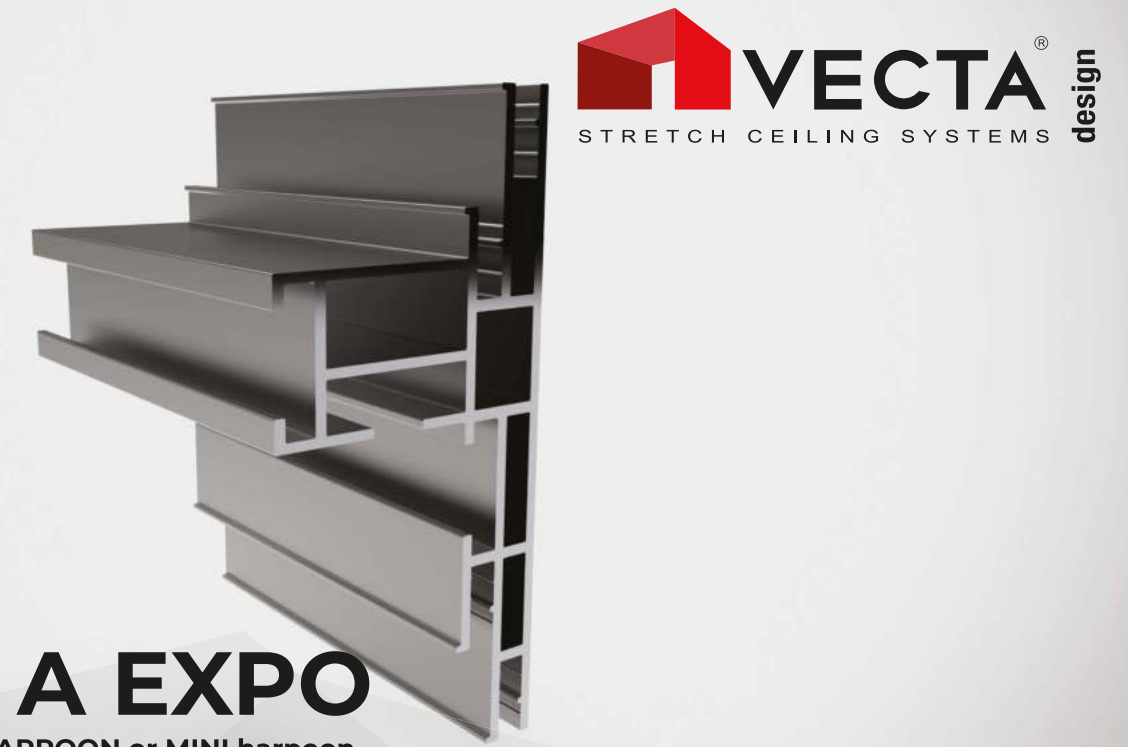
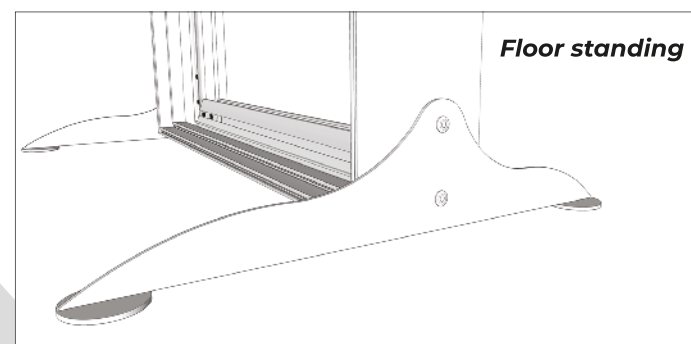
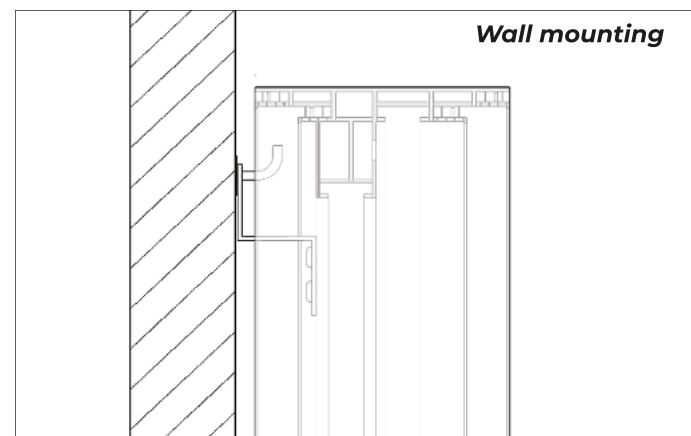
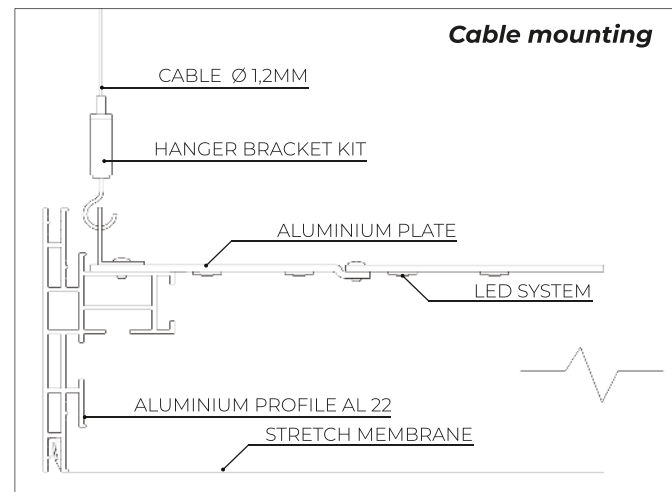
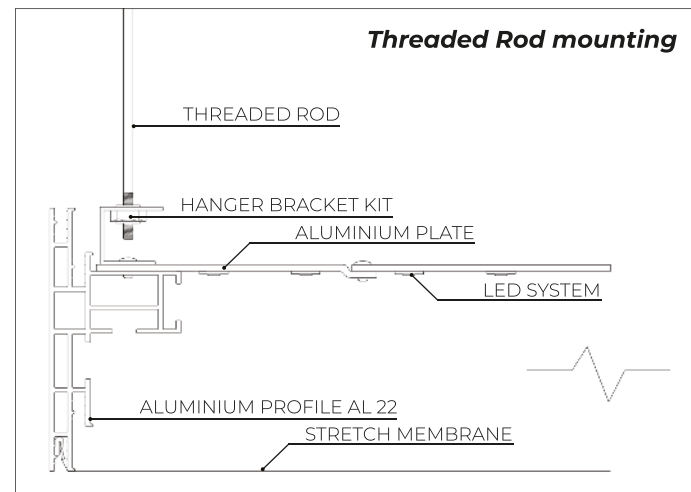
- Stretch ceiling Vecta (A)
- Profile Crown light (B)



ACOUSTIC PANELS



ABILITY TO INSTALL THE PROFILE TO THE BASE CEILING



AL 22 A EXPO

Used with EXPO HARPOON or MINI harpoon

Create eye-catching light elements, design lamps and light modules that add value to the interior design and have both qualities – practical and aesthetic in one product represented.

THE ADVANTAGES OF AL 22 EXPO PROFILE

- Functional modular profile for creating light frames, wall modules and custom made lamps
- Design elements created with this profile can be installed or mounted in 3 different ways: 1) directly to the ceiling, 2) hanging with metal ropes from the ceiling, 3) movable floor stands
- The profile is suitable for creating lighting solutions of different shapes with curved edges
- Can be combined with acoustic stretch material and sound absorption sheet

SENSATIONAL OBJECTS DONE WITH THIS PROFILE



Athens Airport
Greece / Athens
Installer: Apollon Design

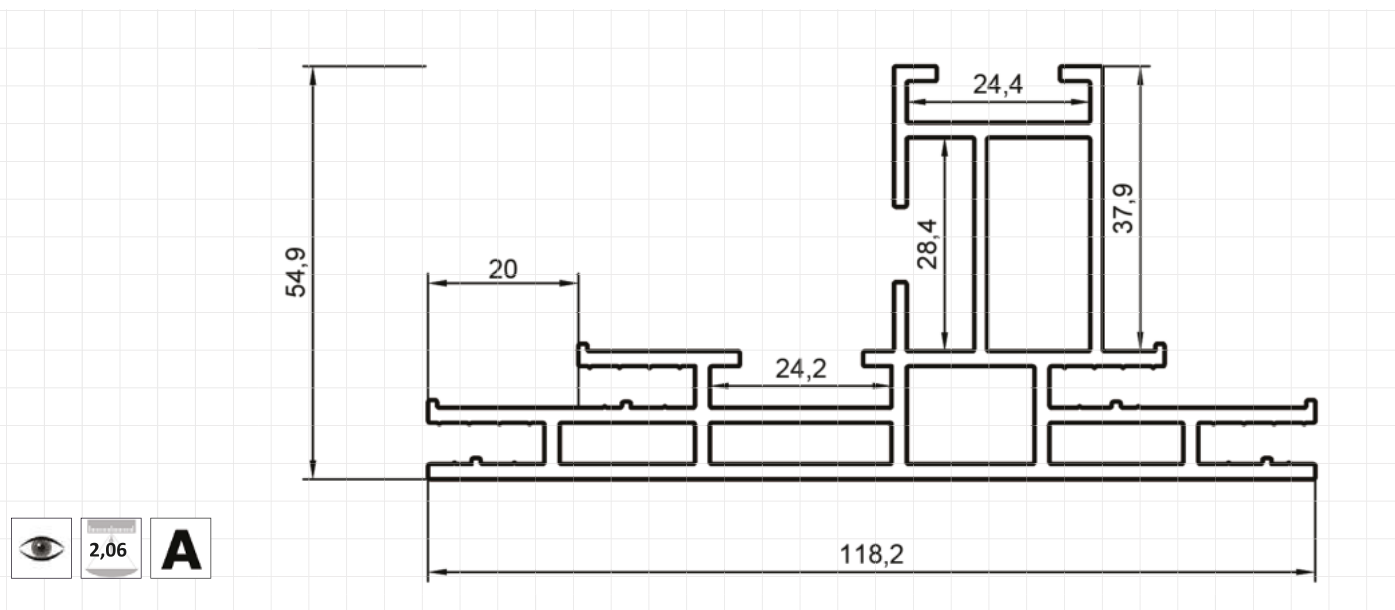


Paks Margareeta
Estonia / Tallinn
Installer: Vecta Design



Elamus SPA
Estonia / Tallinn
Installer: Vecta Design

PROFILE REAL-SIZE DIMENSIONS



DESCRIPTION

VECTA EXPO is a modular system made of profile AL 22, that enables creating frames covered with stretch ceiling material. Used with special fastenings the modules can be attached or hung directly on the ceiling and the modules can also be placed on the floor, when special floor standing elements are attached. To create the modular lights, LED lighting elements can be easily installed. VECTA EXPO panels can be used as illuminated or acoustic partition walls, step, and repeat banner, exhibition or information stands and, by design, can be used for other applications that may be specified by clients. The profile has the unique capability of enabling the installation of stretch materials fitted with MINI harpoon or the new Easy Access system. Standard profile length 2,5 m, special order 5m long profile. Smallest angle for AL 22 A profile can be 45 degrees. Easy corner fixing with LC01 or LC02 corners. Stretch ceilings are made with small reduction using this profile.

Corner fixing with LC01 and LC02



LC01



LC02

LIGHT FRAMES AND SPACE DIVIDER



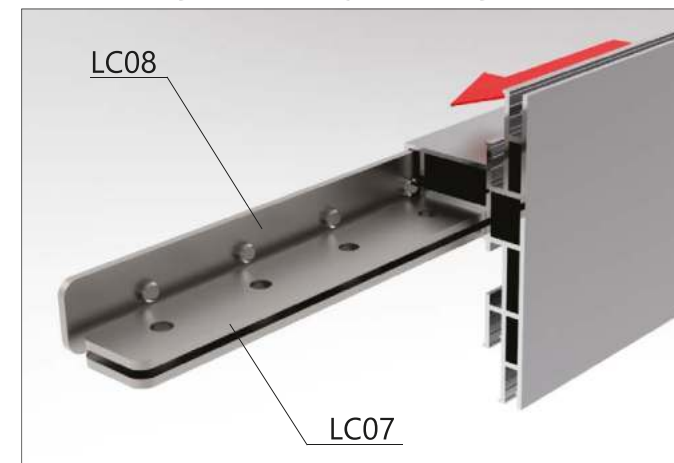
ABILITY TO BEND PROFILE



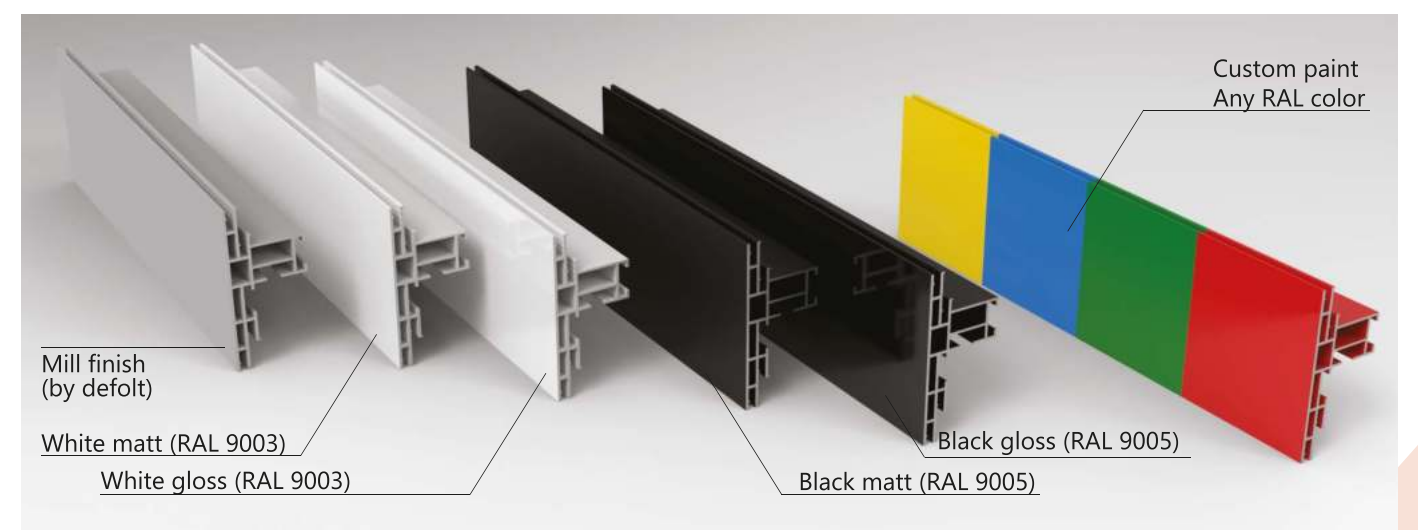
We also offer an optimal lighting calculation, for which it is important to know the height and diameter of the desired light element (lamp), the material used, whether the material is covered by the print solution or not, and the desired light effect (warm or cold light).



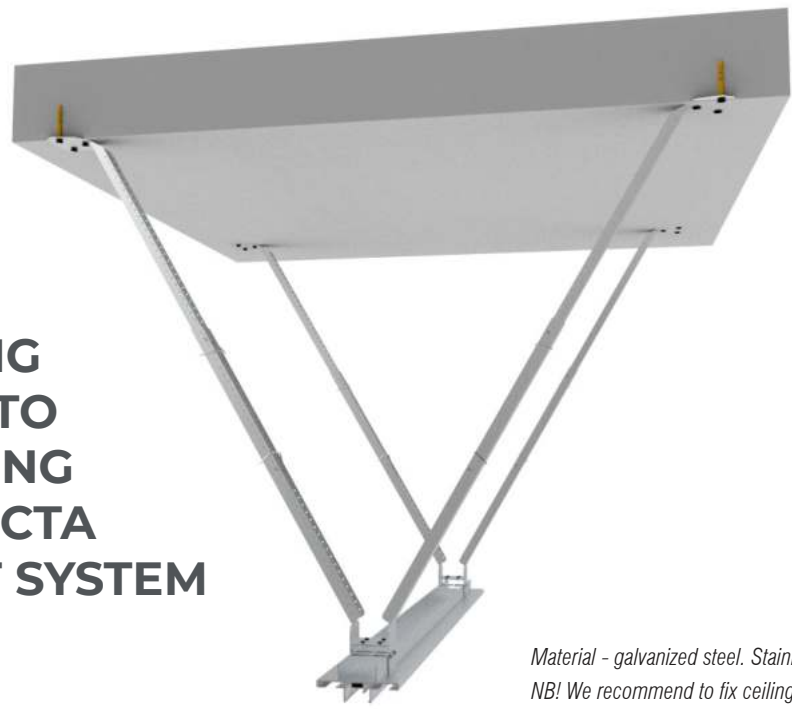
Connecting profiles by the length with LC07 and LC08



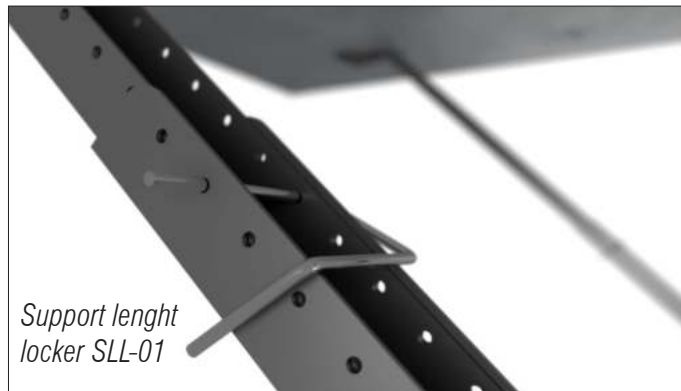
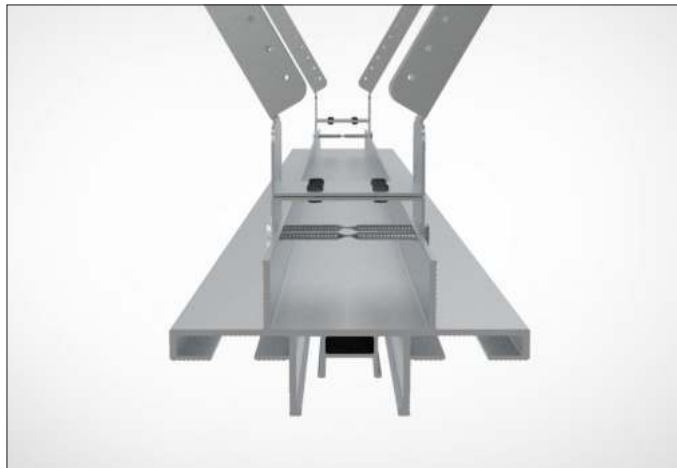
Colors and finishes



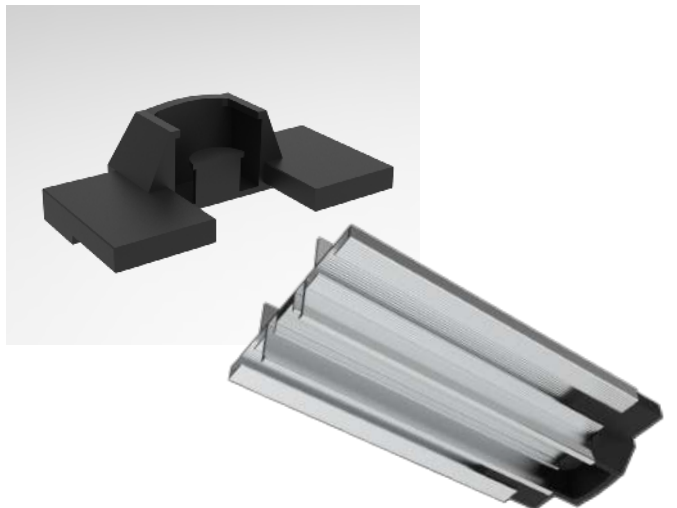
MOUNTING PROFILE TO THE CEILING USING VECTA SUPPORT SYSTEM



Material - galvanized steel. Stainless steel and other dimensions by request.
NB! We recommend to fix ceiling supports every 50-80 cm



Support lenght locker SLL-01



CS23/10 - for the height 100-200 mm from the base ceiling
CS23/30 - for the height 300-400 mm from the base ceiling
CS23/50 - for the height 500-800 mm from the base ceiling

Developed by Vecta Design - new AL 23 Combi ending CAP-2 enables to have more variations in design. With CAP-2 the lighting lines can end in the middle of the stretch ceiling or gypsum board enabling to create modern lighting solutions. Using CAP-2 with AL23 profile: When making a ceiling drawing with AL23 + CAP-2 in the middle of the ceiling, please take notice that the AL23+CAP-2 must be 4 cm shorter on the drawing than the actual profile with CAP-2. Otherwise, you will have too much harpoon on the actual ceiling. For example, the AL23+CAP-2 is 340cm, then on the drawing, it should be written 236 cm. Before installing the ceiling the CAP-2 must be fastened to the profile with a screw. With the CAP-2 the ceiling installation always starts at CAP-2.

Feel free to contact in case any questions: info@vectadesign.com | phone: +372 44 23 023 | fax: +372 43 70 339



AL 23 Combi Light

AL 23 Combi Light - aluminum ceiling and wall profile for plasterboard and stretch ceilings 40x91 mm.

THE ADVANTAGES OF AL 23 PROFILE

Our specific profile solution AL 23 COMBI will give you the opportunity to:

- integrate additional or main light source in the ceiling,
- divide the ceiling into separate parts,
- combine stretch ceiling with gypsum ceiling.

SENSATIONAL OBJECTS DONE WITH THIS PROFILE



Transferwise office
Estonia / Tallinn
Installer: Vecta Design



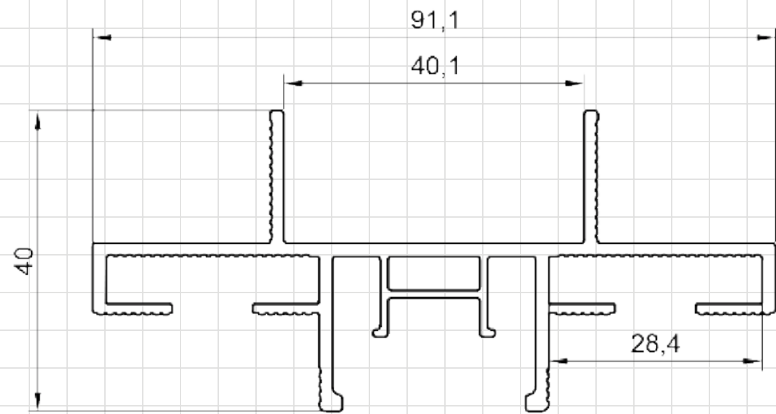
Porcelanosa office
Spain / Sant Joan d'Alacant
Installer: Vecta Design Spain



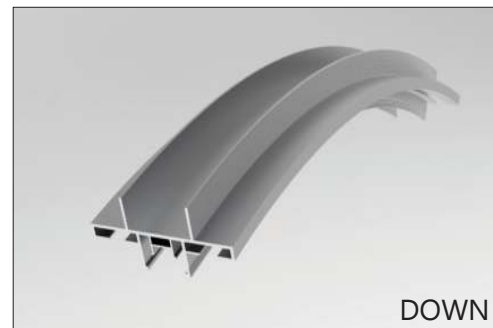
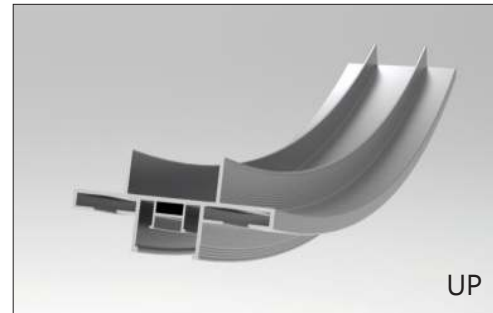
Kalev Spa Hotel & Water Park
Estonia / Tallinn
Installer: Vecta Design

Feel free to contact in case any questions: info@vectadesign.com | phone: +372 44 23 023 | fax: +372 43 70 339

PROFILE REAL-SIZE DIMENSIONS



ABILITY TO BEND PROFILE

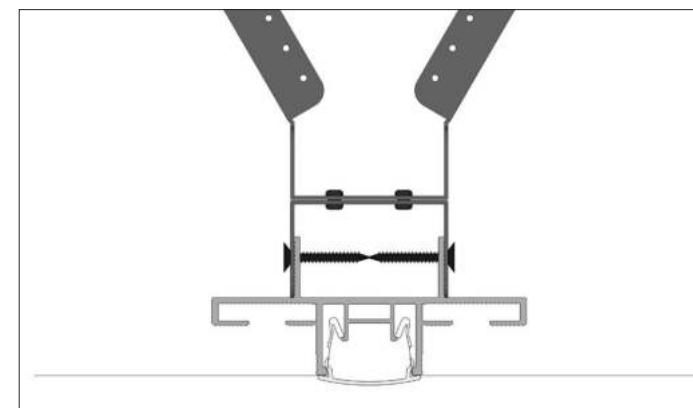
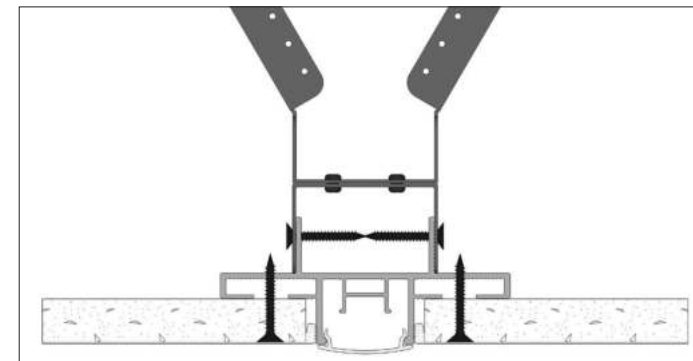
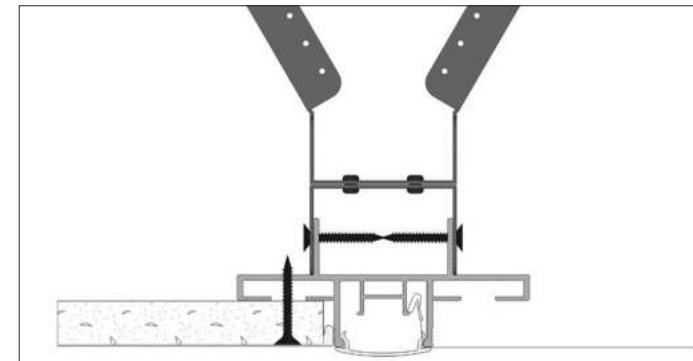


DESCRIPTION

AL 23 COMBI LIGHT was developed to enable integration of the KEY LIGHT system into gypsum board ceilings. The COMBI LIGHT profile is multifunctional, as it can be used to combine gypsum board and stretch ceiling material in one room. For all installations, the COMBI LIGHT system enables the creation of interior design accents with continuous light lines from the 30mm wide LED strips. Alternative LED strips are available to provide cold or neutral light (LR-39 or LR-40) and the installation is completed by the VEC-4 diffuser. Standard profile length 2,5m, special order 5m long profile. The profile is comfortable and easy to install when using Vecta special support system and the result is durable and stable.

When used with gypsum board, then the gypsum board should be 12mm or 12,5mm thick, then you can hide screws with gypsum putty and add paint coating on the gypsum surface. Using the profile as a ceiling divisor: Ceilings have to be ordered simultaneously, as there can be tone difference of various film lots. If there will be a time gap between the orders, production might use another roll for the order. Multiple ceilings in the same room must be ordered together.

ABILITY TO USE PROFILE



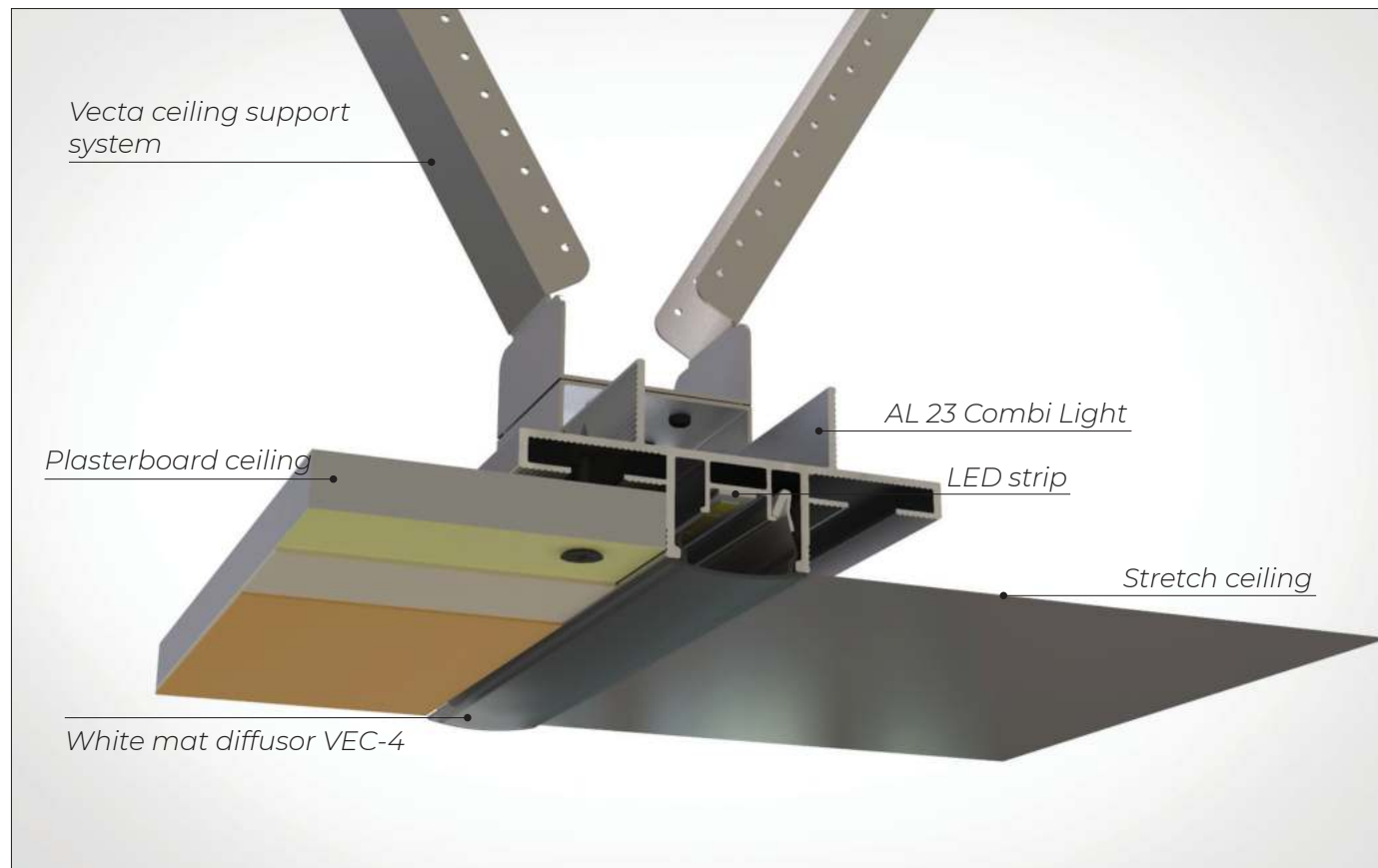
CONNECTING PROFILES



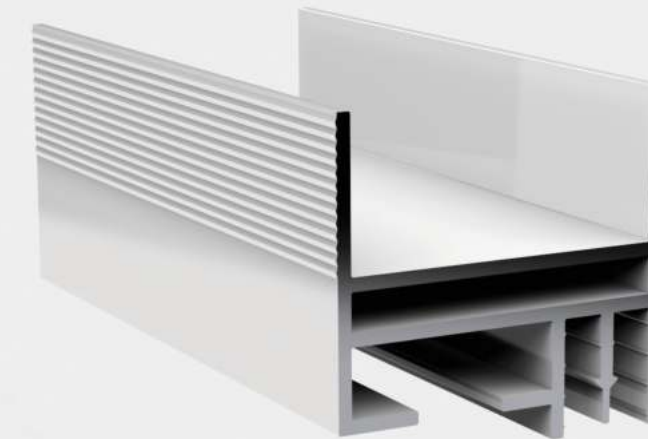
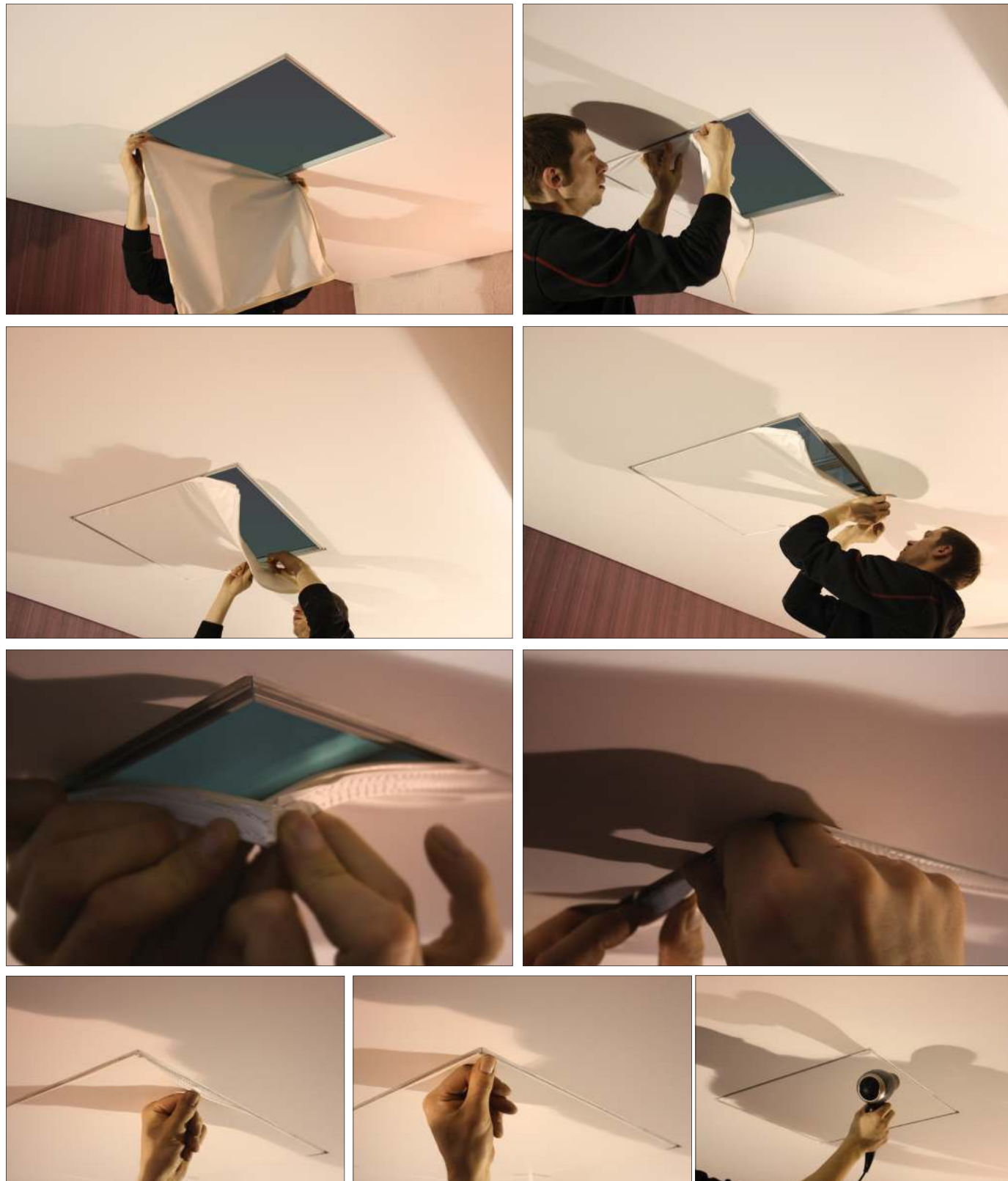
200 mm from the base



USING AL 23 WITH SUPPORTS



INSTALLATION



AL 24

Used with EXPO HARPOON or MINI harpoon

Aluminum profile AL 24 for ceiling traps. Used with MINI harpoon or EASY ACCESS system

Constructive + Modular

AL 24

THE ADVANTAGES OF AL 24 PROFILE

- Maximum size of trap-doors is 200cm x 200cm and can be installed into stretch ceiling
- Quick and easy installation and removal of trap-door
- Trap-door can be the same color or different color as the ceiling surrounding it
- Special elastic harpoon along the perimeter of the trap-door ceiling
- No special skills or equipment required for installation or removal of trap-door ceiling

SENSATIONAL OBJECTS DONE WITH THIS PROFILE



WASA Hotel & Spa

Estonia / Pärnu
Installer: Vecta Design

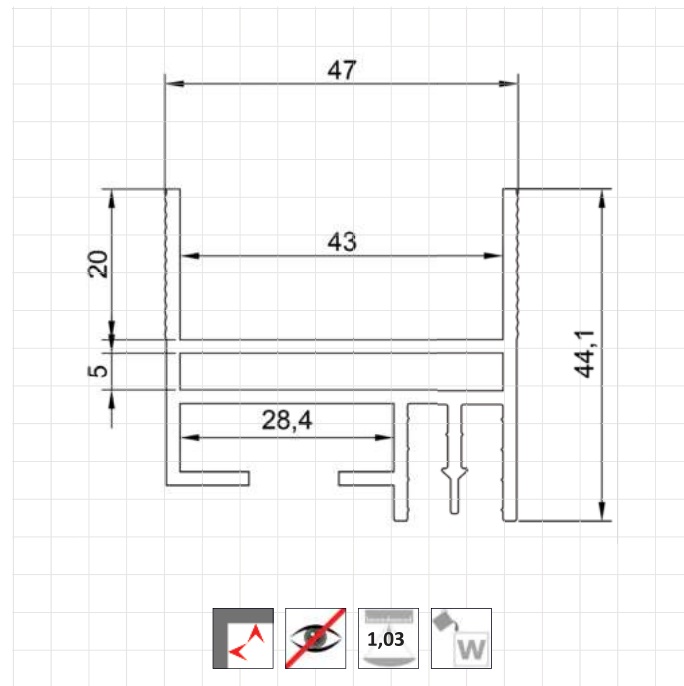
Radisson Hotel

Spain / Sant Joan d'Alacant
Installer: Vecta Design Spain

Kalev Spa Hotel & Water Park

Greece / Athens
Installer: Apollon Design

PROFILE REAL-SIZE DIMENSIONS



PROFILE INSTALLATION USING VECTA SUPPORT SYSTEM



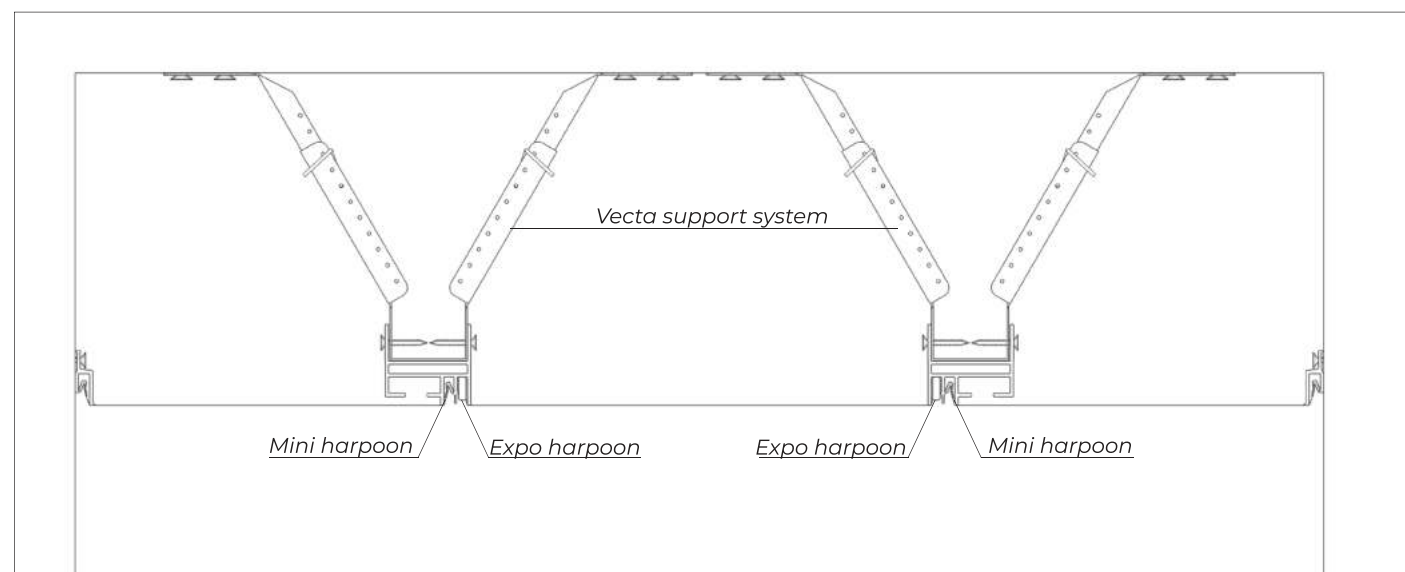
DESCRIPTION

The profile has the unique capability of enabling the installation of stretch materials fitted with MINI harpoon or the new Easy Access system. Standard profile length 2,5m, special order 5m long profile. Construction of custom ceiling traps using specials fixings. Easy corner fixing with LC-01 corners. Using the profile as a ceiling divisor: Ceilings have to be ordered simultaneously, as there can be tone difference of various film lots. If there will be a time gap between the orders, production might use another roll for the order. Multiple ceilings in the same room must be ordered together.

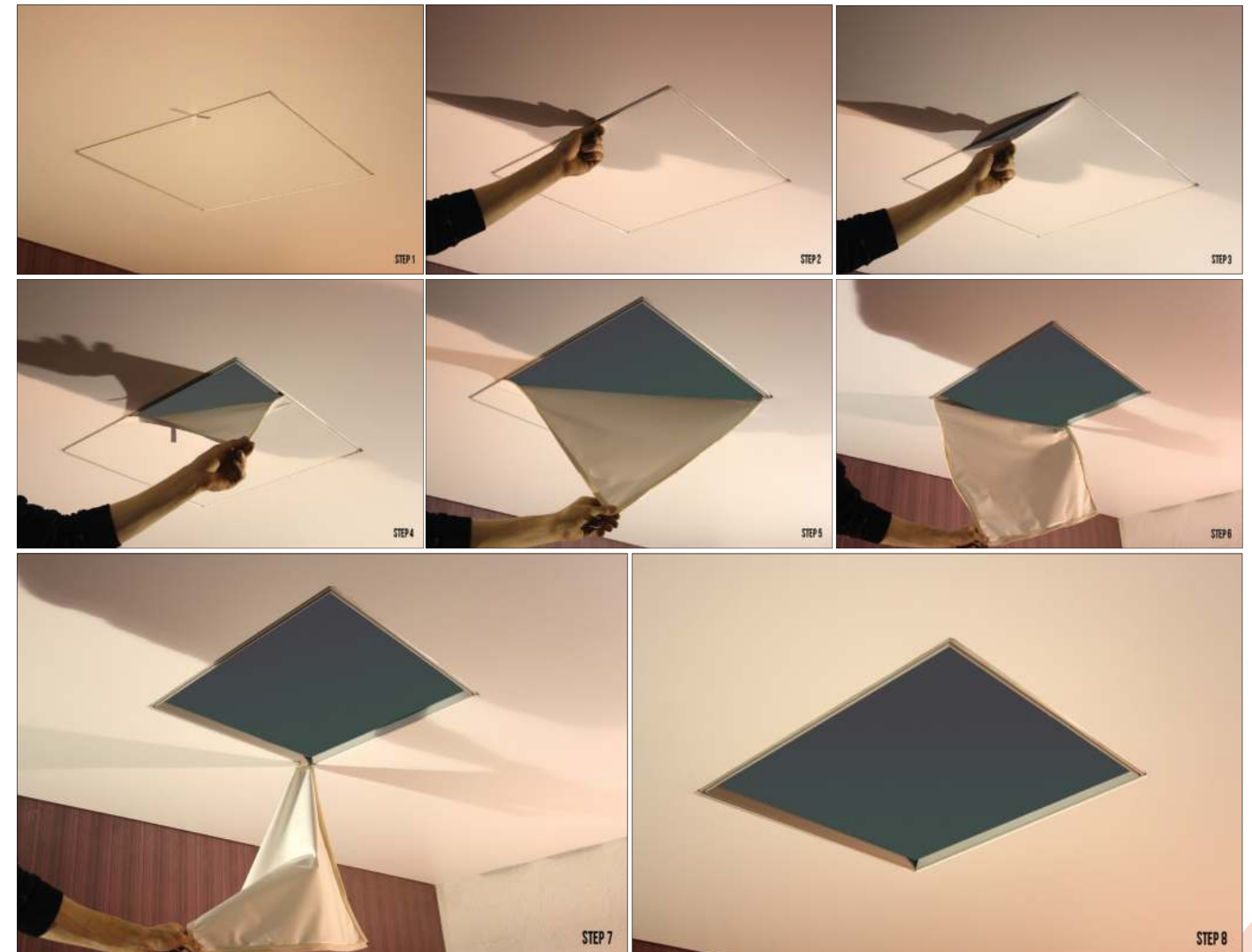
Corner fixing with LC-01 corner



INSTALLING CEILING TRAP



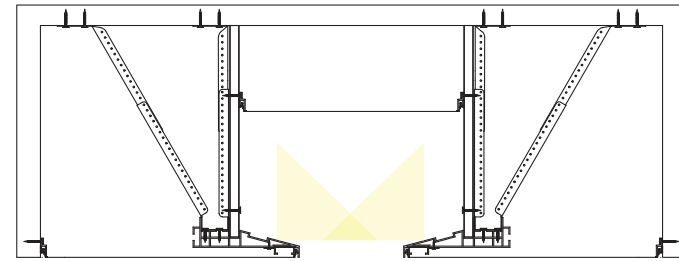
DEINSTALLATION



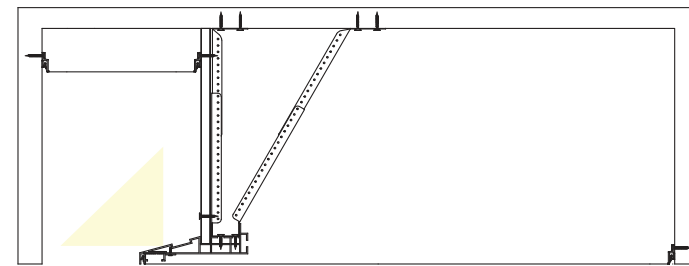
4 DIFFERENT INDIRECT LIGHT EFFECTS:



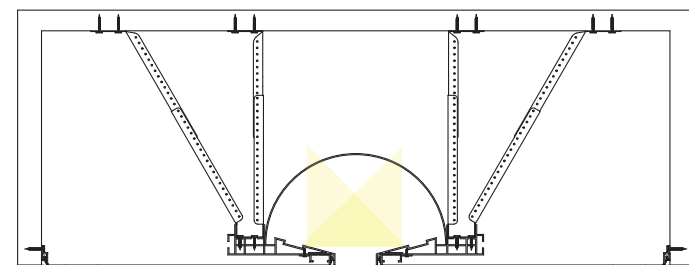
Supplement some visual effects and illusionary extra space and height to the room.



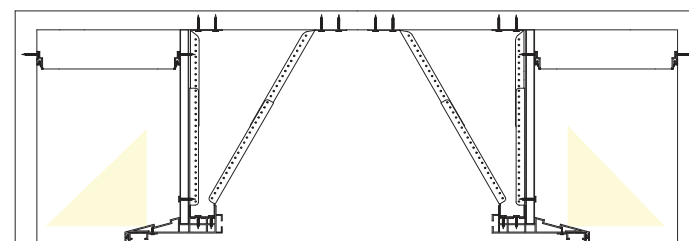
Add elegant indirect lighting to the perimeter of the ceiling, that is a modern way to use light source, that can be unique additional light element.



Create fascinating modules, with the soft moodlight in the edges, that can be either pieces of art (with printed, relief or alternative materials) or other stunning decorative details integrated to Your ceiling or walls.

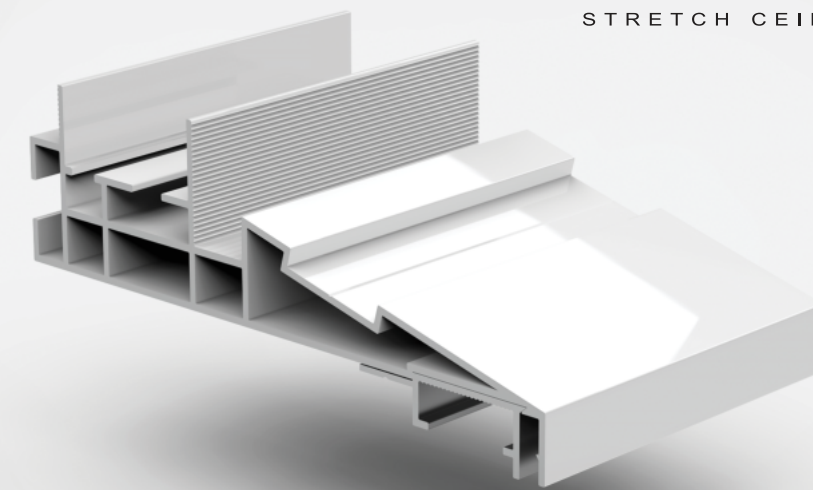


Design and build spectacular light lines (max width 30 cm) that would evoke wow effects and make the most pleasing outcome in adding the accent lighting.



Digital illustrations by Vecta Design LTD.

Feel free to contact in case any questions: info@vectadesign.com | phone: +372 44 23 023 | fax: +372 43 70 339



AL 25 Cornice + AL 25 Lock

A profile that offers several remarkable usability possibilities, whether your aim is to bring some precisely measured beauty or extra light accent in the room. It can be used to create straight and sharp edges to the cornice whether it is used with gypsum or with stretch ceiling.

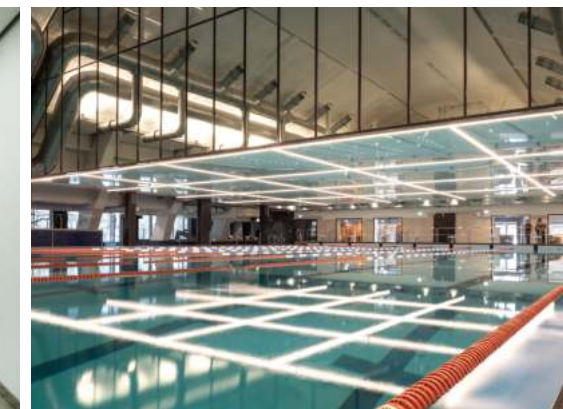
THE ADVANTAGES OF AL 25 PROFILE

- Universal product, as it can be used with gypsum and also with stretch ceilings,
- It will create a straight sharp edge,
- A unique profile, that can not be found among other producers products,
- Very easy and quick installation with special profile support system,
- Enhancing and soft moodlighting, where You can see only the light, not the profile itself.

SENSATIONAL OBJECTS DONE WITH THIS PROFILE



Vecta Design office
Estonia / Pärnu
Installer: Vecta Design



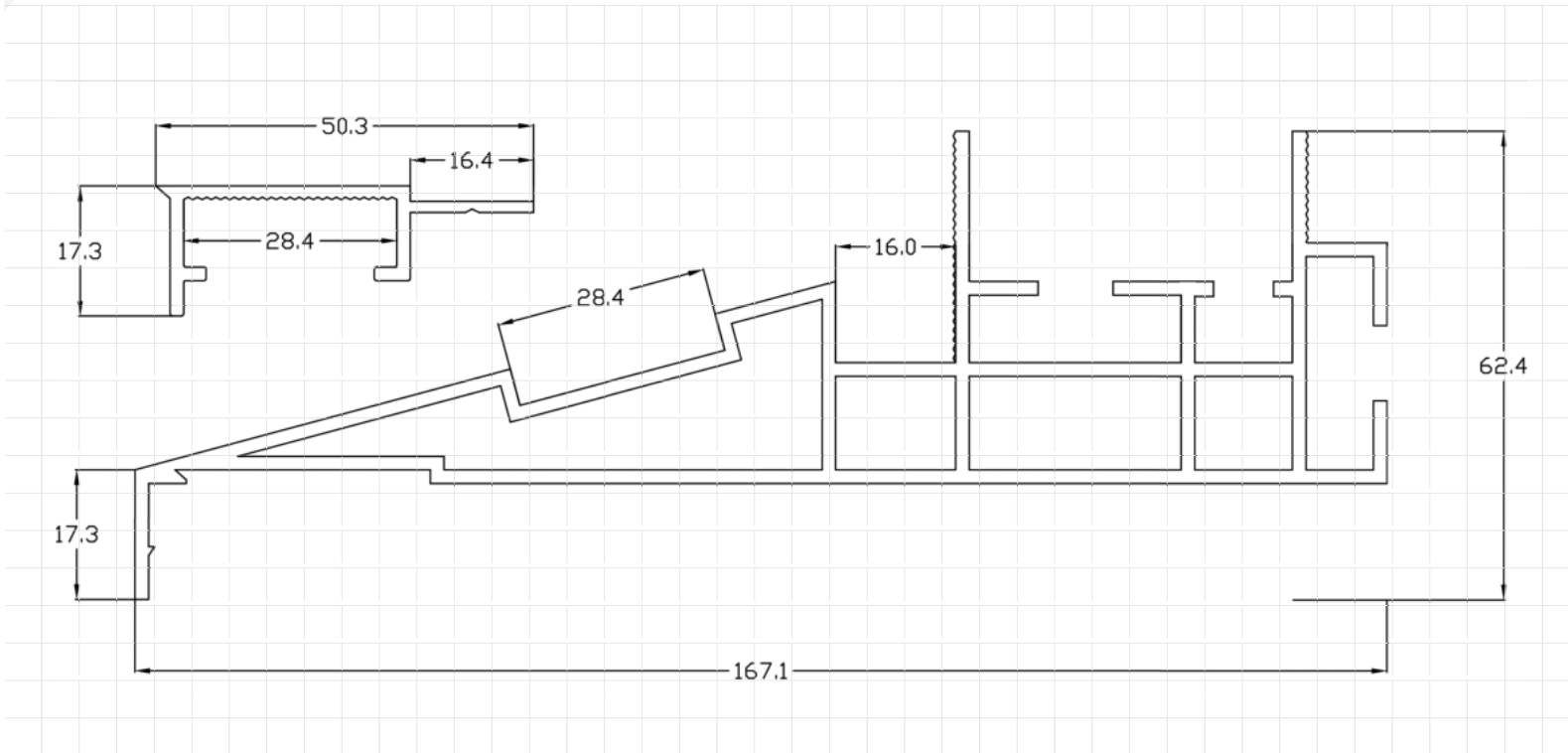
Kalev Spa Hotel & Water Park
Estonia / Tallinn
Installer: Vecta Design



Suure-Jaani Wellness Center
Estonia / Viljandi District
Installer: Vecta Design

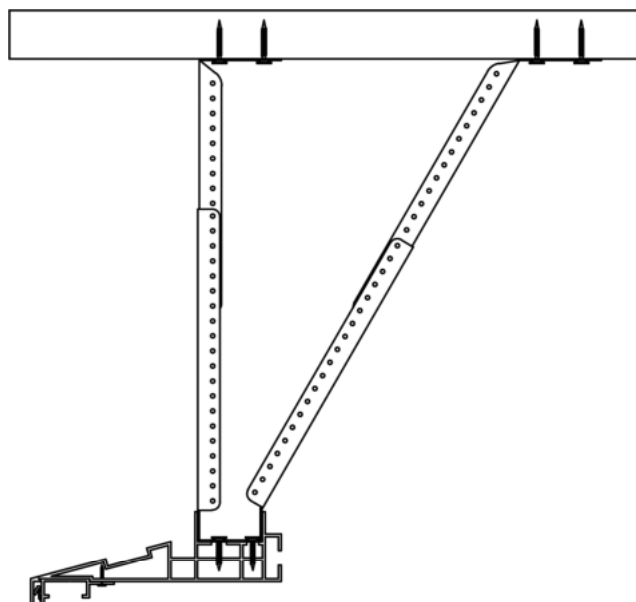
Feel free to contact in case any questions: info@vectadesign.com | phone: +372 44 23 023 | fax: +372 43 70 339

PROFILE REAL-SIZE DIMENSIONS

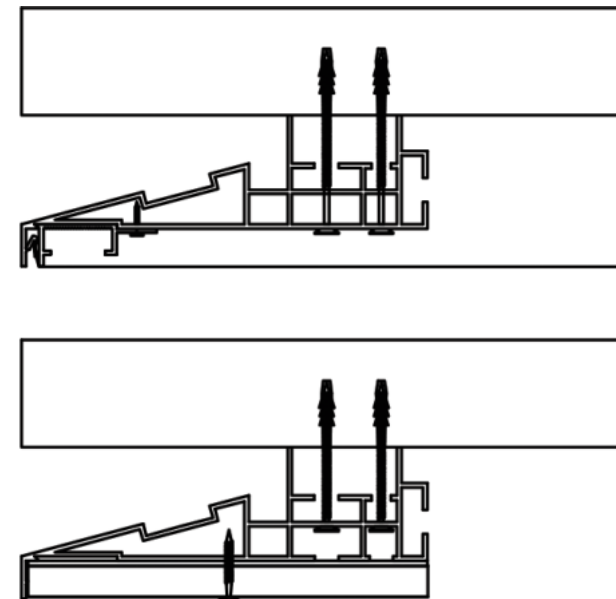


ABILITY TO INSTALL THE PROFILE TO THE BASE CEILING

Using supports



Mounting to the base ceiling



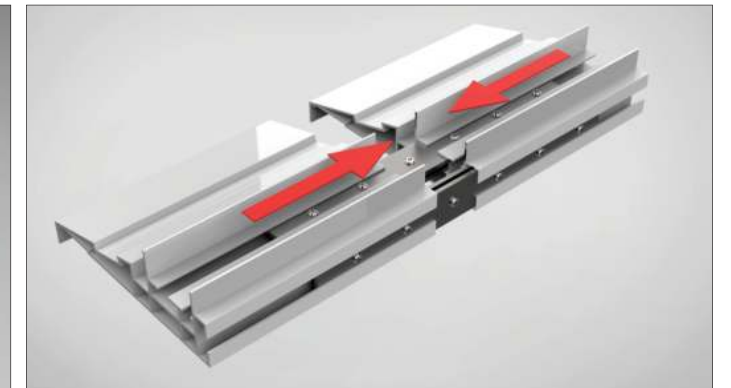
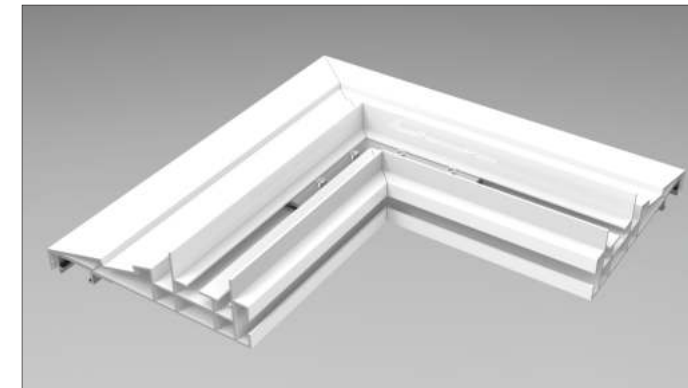
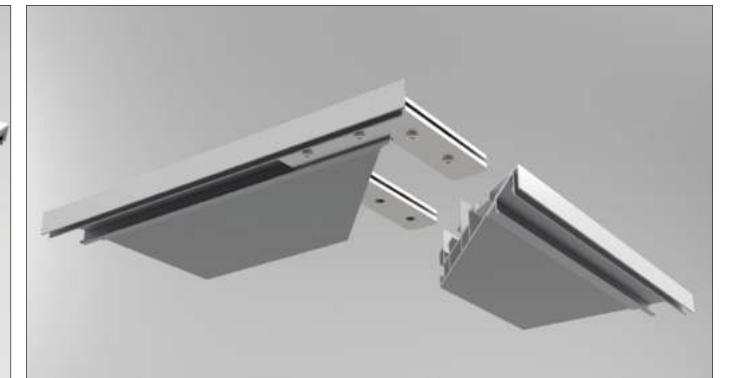
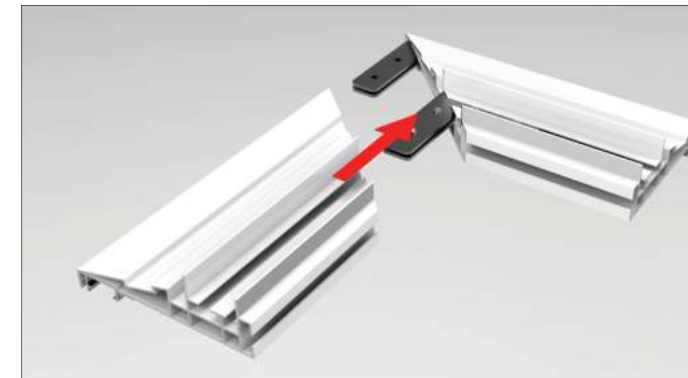
DESCRIPTION

AL 25 white profile is multifunctional cornice system, which can be used with stretch ceiling or gypsum. LED stripes can be placed directly on the profile in 15 degrees angle from the horizontal line. Side of the cornice is only 17mm which will stay visible. The profile is available in 2,5m and 5m lengths.

AL25 profile minimum recommended fastening is after every 60 cm. With size 42 mm gypsum frames by using screws, needs extra reinforcement with diagonals after every 100cm. When used with other gypsum frames the minimum recommended fastening is after every 40cm and diagonals after every 80cm.

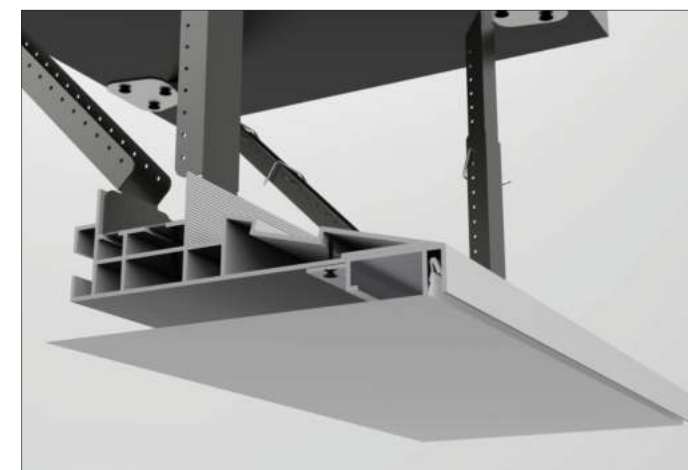
It is also possible to add gypsum on top of the profile, to prevent the light accessing backside of the ceiling and to finish the side of the cornice. AL 25 profile can be used with EASY ACCESS system (EXPO harpoon) to provide access behind the stretch ceiling. Used also with MINI harpoon. When used with gypsum board, then the gypsum board should be 12mm or 12,5mm thick, then you can hide screws with gypsum putty and add paint coating on the gypsum surface. The profile can also be attached straight to the basic ceiling. Easy corner fixing with double LC01 corners.

Corner fixing with LC01

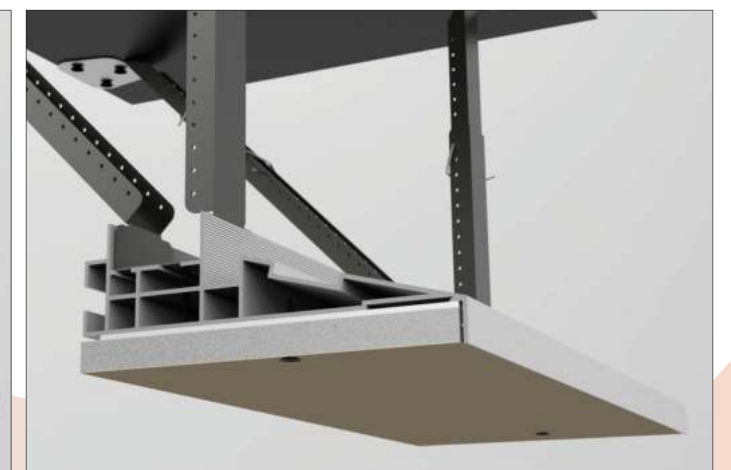


Connecting profile by the length using LC-07

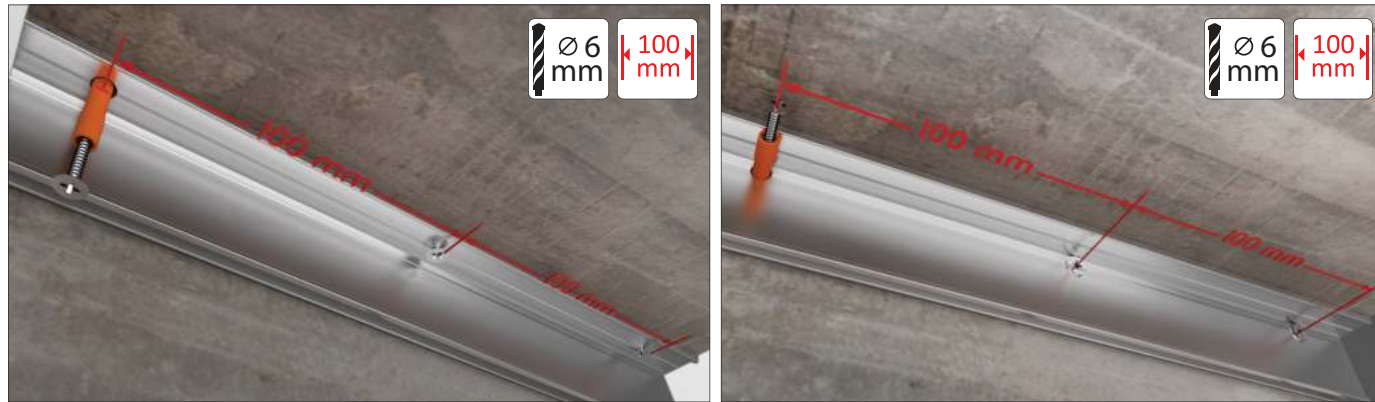
Used with stretch ceiling (with AL 25 Lock)



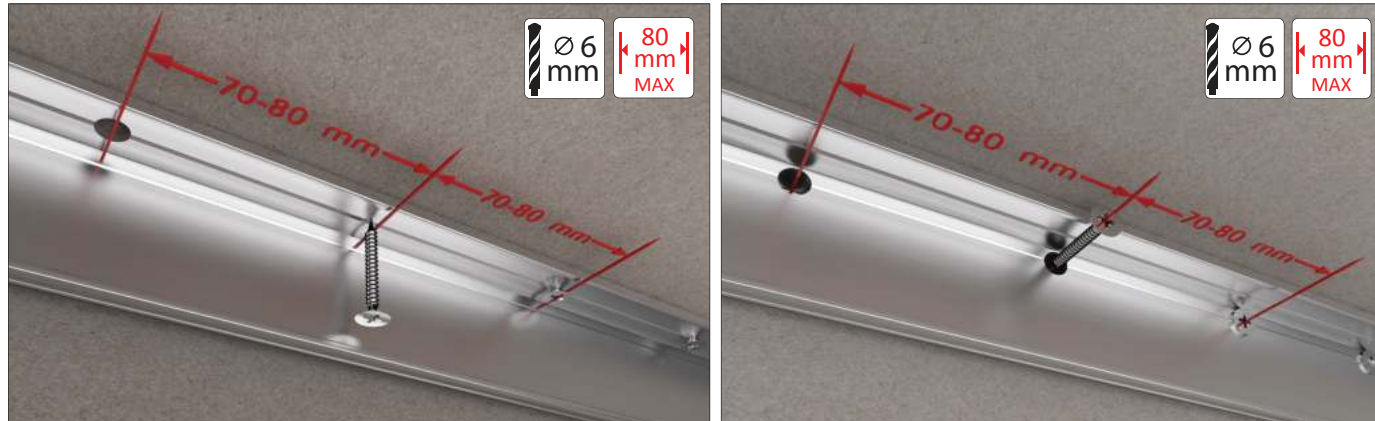
Used with gypsum board



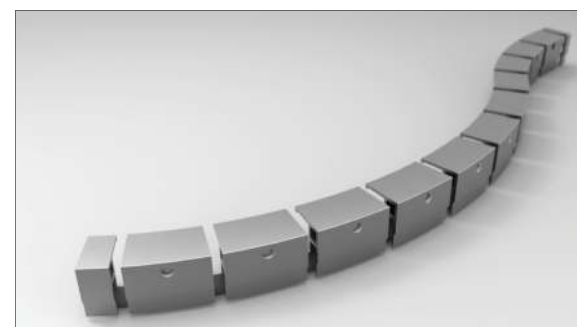
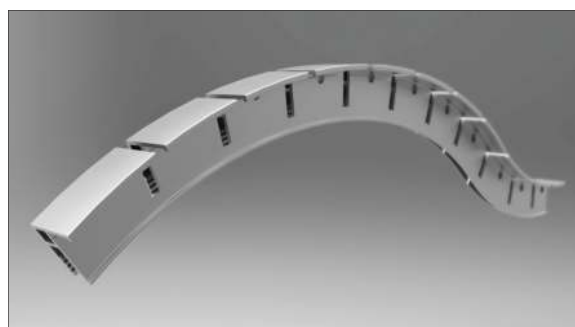
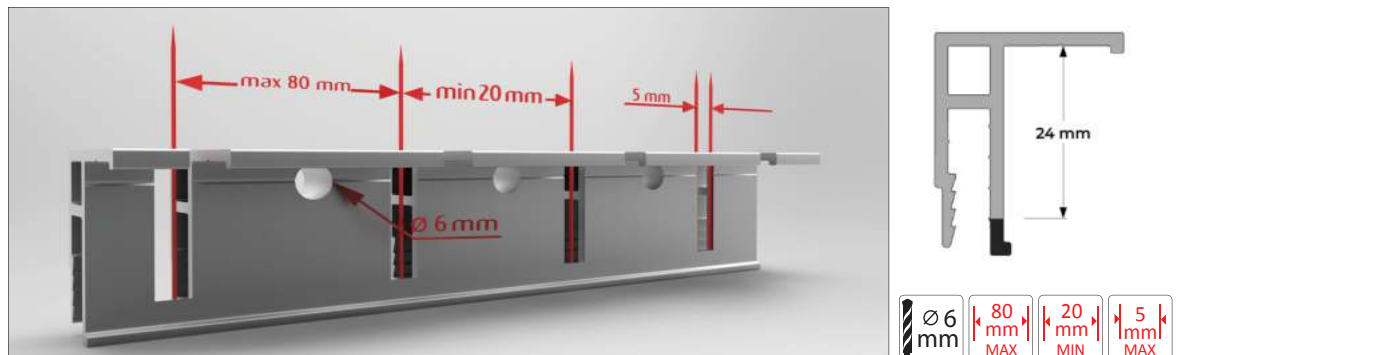
Fastening the profile to the concrete ceiling



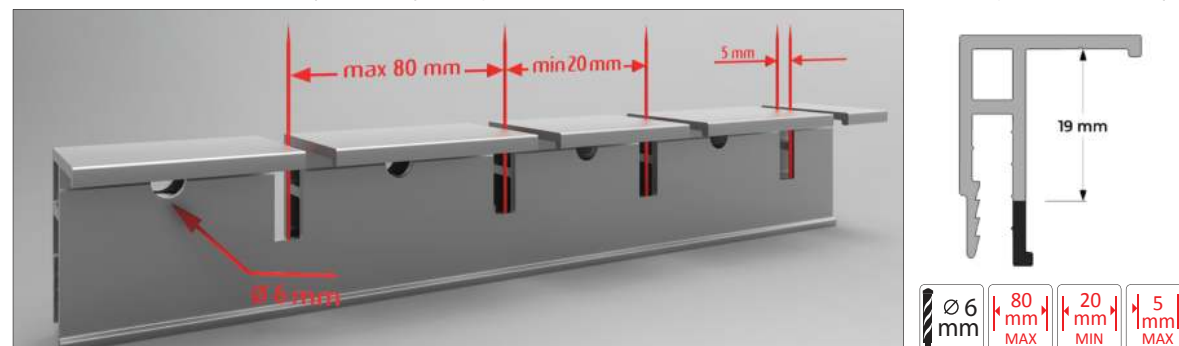
Fastening the profile to the plasterboard ceiling



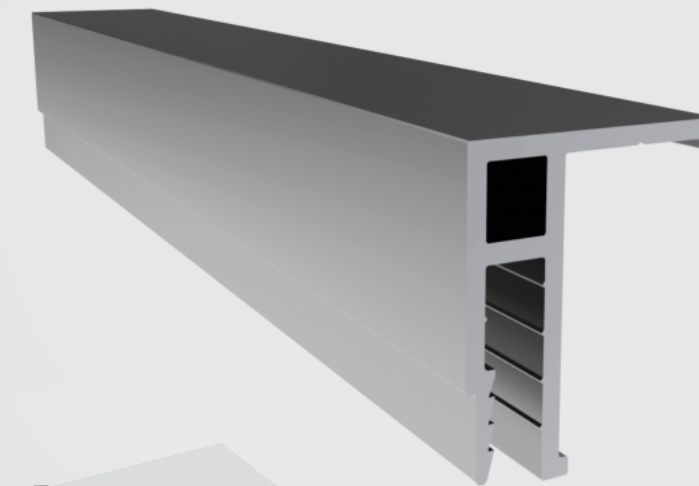
Pre-notched in the factory for easy adaptation on site to rounded and vaulted shapes vertically



Pre-notched in the factory for easy adaptation on site to rounded and vaulted shape horizontally



Feel free to contact in case any questions: info@vectadesign.com | phone: +372 44 23 023 | fax: +372 43 70 339

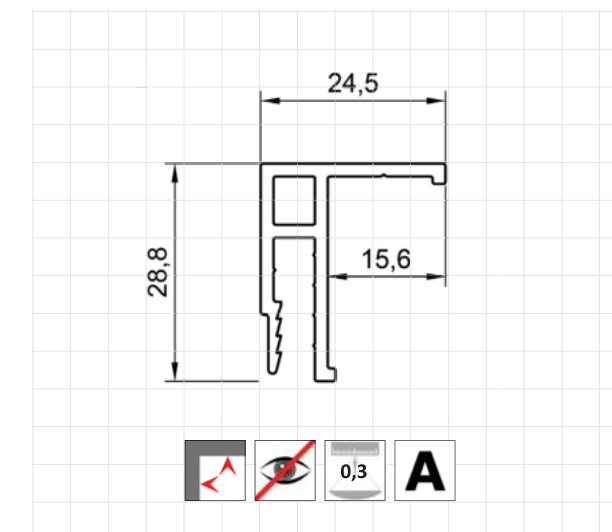


AL 26-A

Used with MINI or EXPO harpoon

Aluminum universal profile AL 26-A for ceilings and walls. Used with MINI harpoon or EXPO harpoon.

PROFILE REAL-SIZE DIMENSIONS

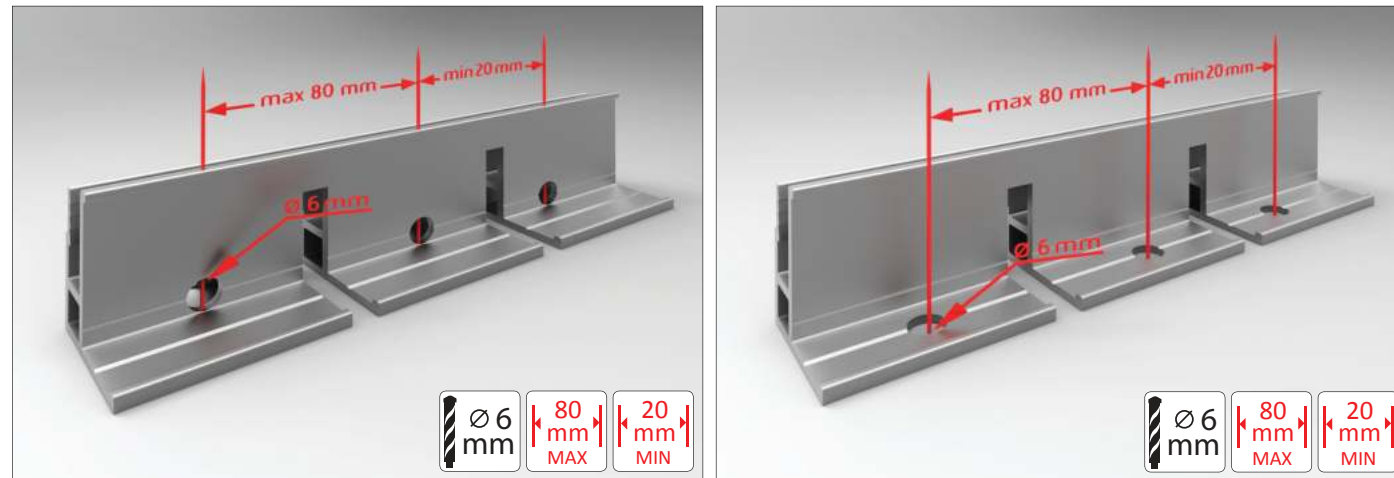


DESCRIPTION

Aluminum universal profile AL 26-A for installing stretch ceilings or textile ceilings to the wall or the ceiling. Anodized profile is recommended to use in rooms with high humidity levels. It can also be used outdoors and indoor rooms. Using the profile with MINI harpoon, it is necessary to add decoration strip PC-03. Used with EXPO harpoon no decoration strip needed. AL 26-A is available in 2,5 m and 5 m lengths. This profile can be used with a stretch ceiling or with SAMBA and other textile materials.

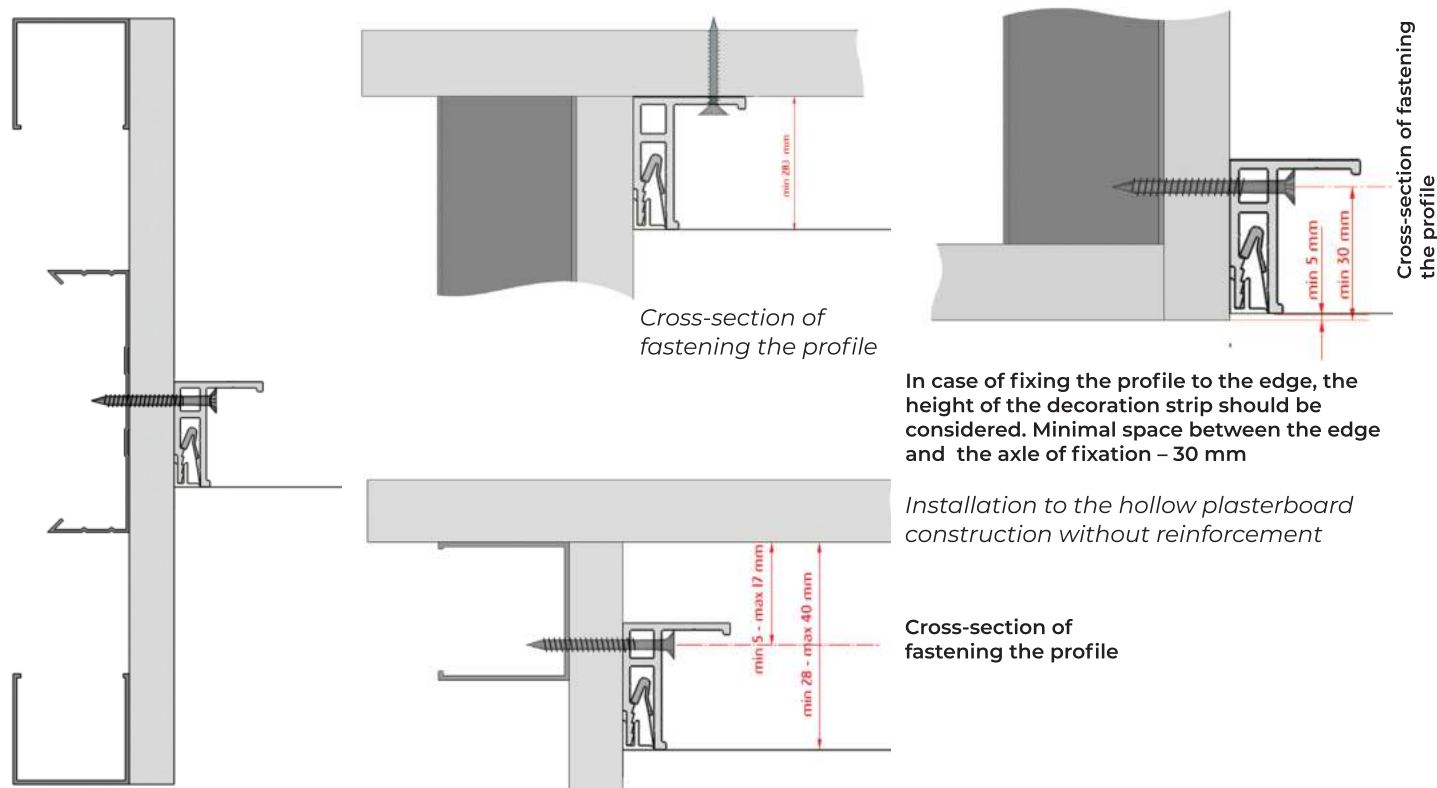
Feel free to contact in case any questions: info@vectadesign.com | phone: +372 44 23 023 | fax: +372 43 70 339

PROFILE REAL-SIZE DIMENSIONS



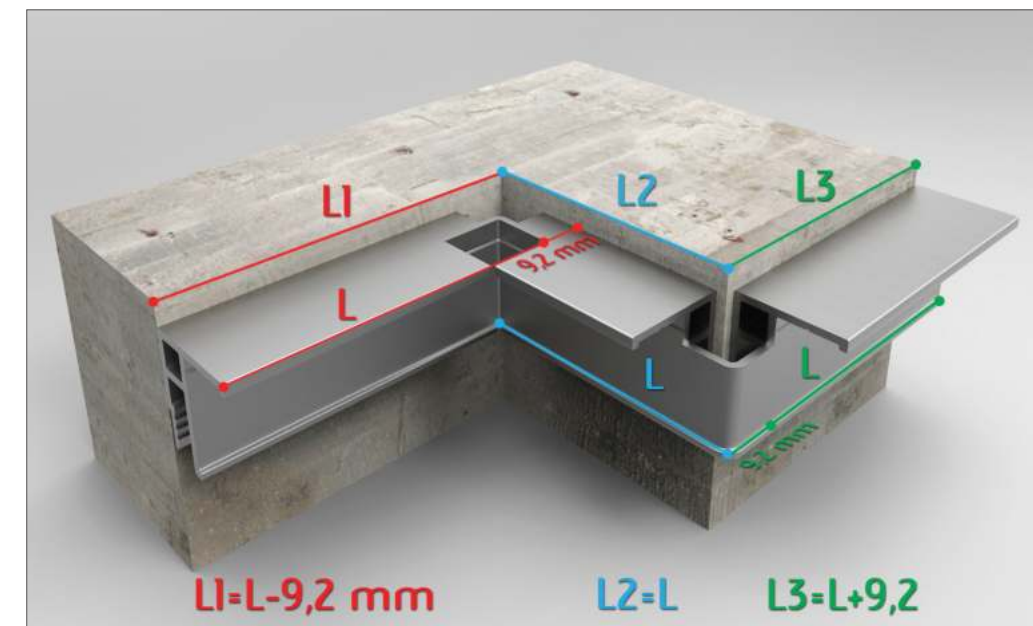
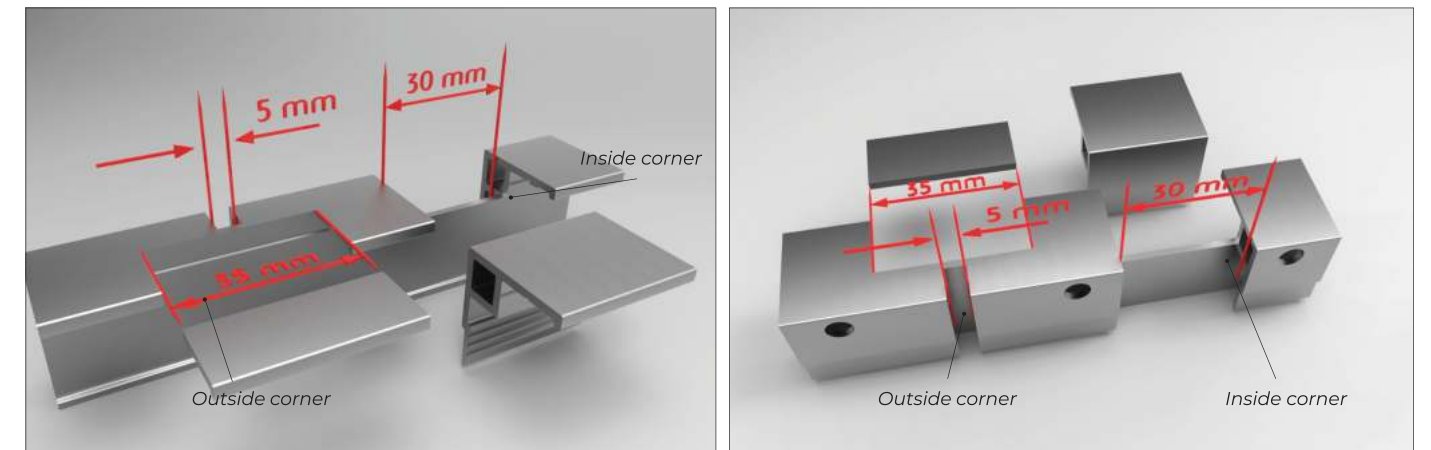
Pre-notched in the factory for easy adaptation on site to rounded and vaulted shapes

FASTENING THE PROFILE TO THE METAL FRAMEWORK AND PLASTERBOARD

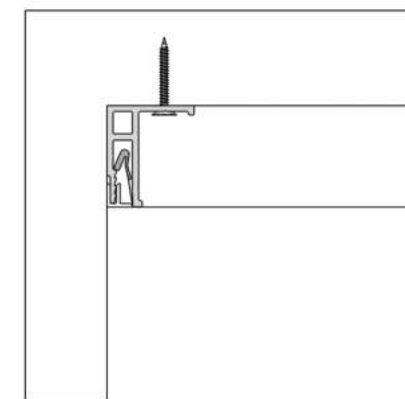


Feel free to contact in case any questions: info@vectadesign.com | phone: +372 44 23 023 | fax: +372 43 70 339

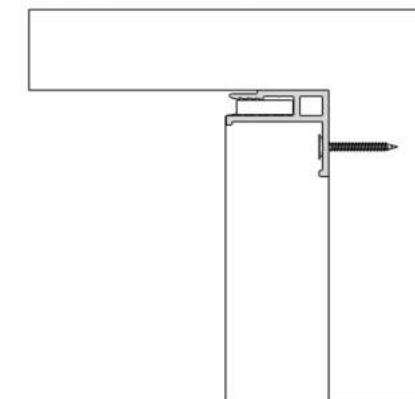
CUTTING PROFILE CORNERS



USING AL 26-A WITH MINI- AND EXPO HARPOON



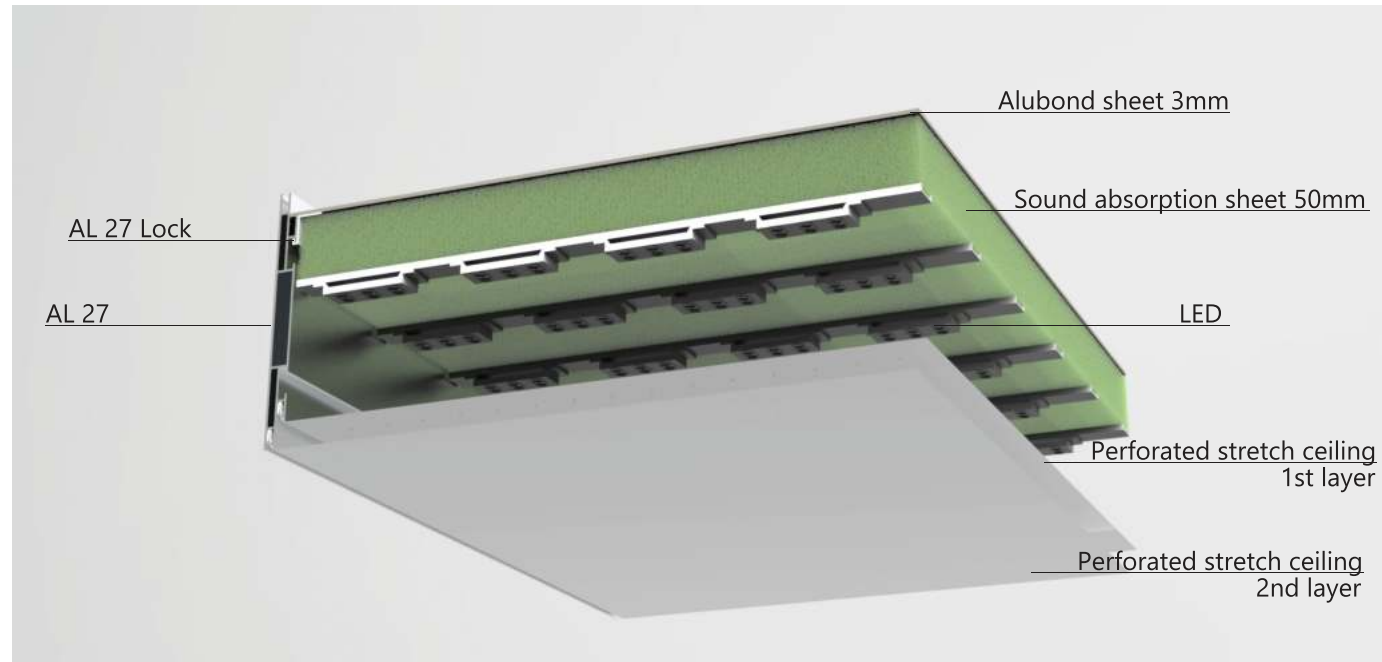
Aluminum universal profile AL 26-A for stretch ceilings with MINI harpoon. Used together with PC-03.



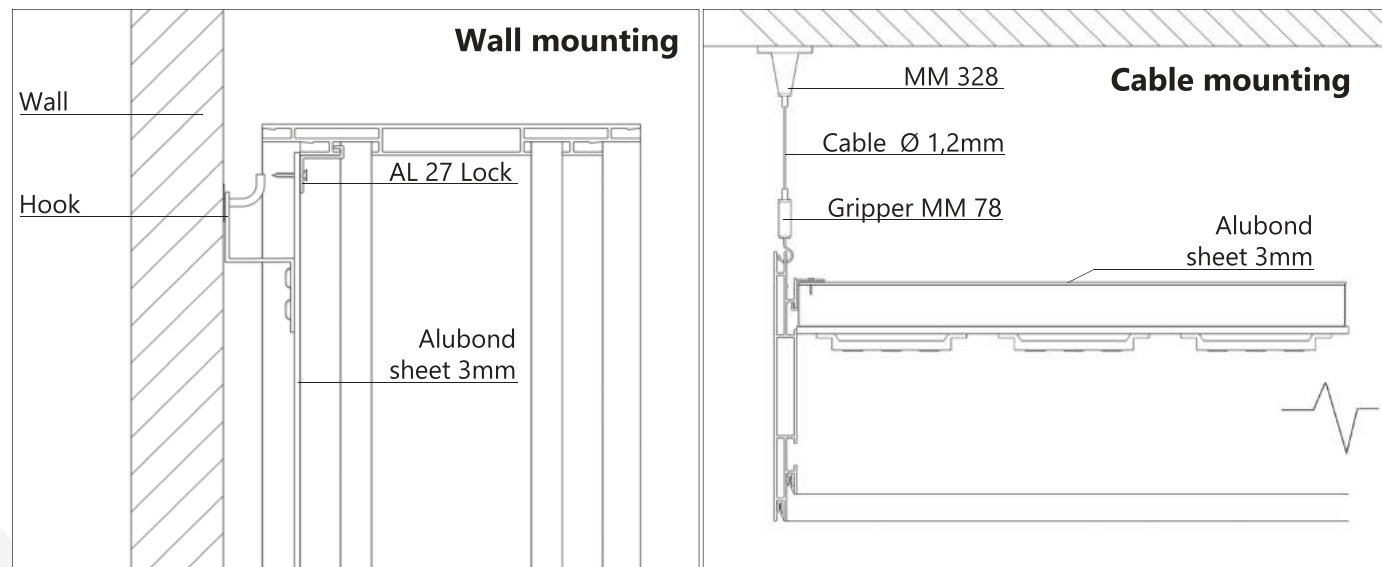
Aluminum universal profile AL 26-A for stretch ceilings and textile ceilings with EXPO harpoon. Used without PC-03. Maximum recommended size for EXPO harpoon stretch ceilings is 150cm x 200cm. Other sizes must be specified by the manufacturer. Not recommended to use for textile ceilings with EXPO harpoon, can be used for textile walls.

Feel free to contact in case any questions: info@vectadesign.com | phone: +372 44 23 023 | fax: +372 43 70 339

ACOUSTIC LIGHT PANELS



LIGHT FRAMES



Feel free to contact in case any questions: info@vectadesign.com | phone: +372 44 23 023 | fax: +372 43 70 339



AL 27

Used with EXPO HARPOON or MINI harpoon

AL 27 + AL 27 Lock is multifunctional profile used for backlit ceilings, backlit walls, acoustic solutions, and lamps.

THE ADVANTAGES OF AL 27 PROFILE

The profile advantages are more or less the same as for the profile AL 22:

- Functional modular profile for creating evenly diffused light frames, wall modules and tailor made design lamps
- Design elements created with this profile can be installed or mounted in 3 different ways: 1) directly to the ceiling, 2) hanging with metal ropes from the ceiling, 3) movable floor stands
- The profile is suitable for creating lighting solutions of different shapes with curved edges
- Can be combined with acoustic stretch material and sound absorption sheet

SENSATIONAL OBJECTS DONE WITH THIS PROFILE



Radisson Hotel
Sweden / Stockholm
Installer: Vecta Design



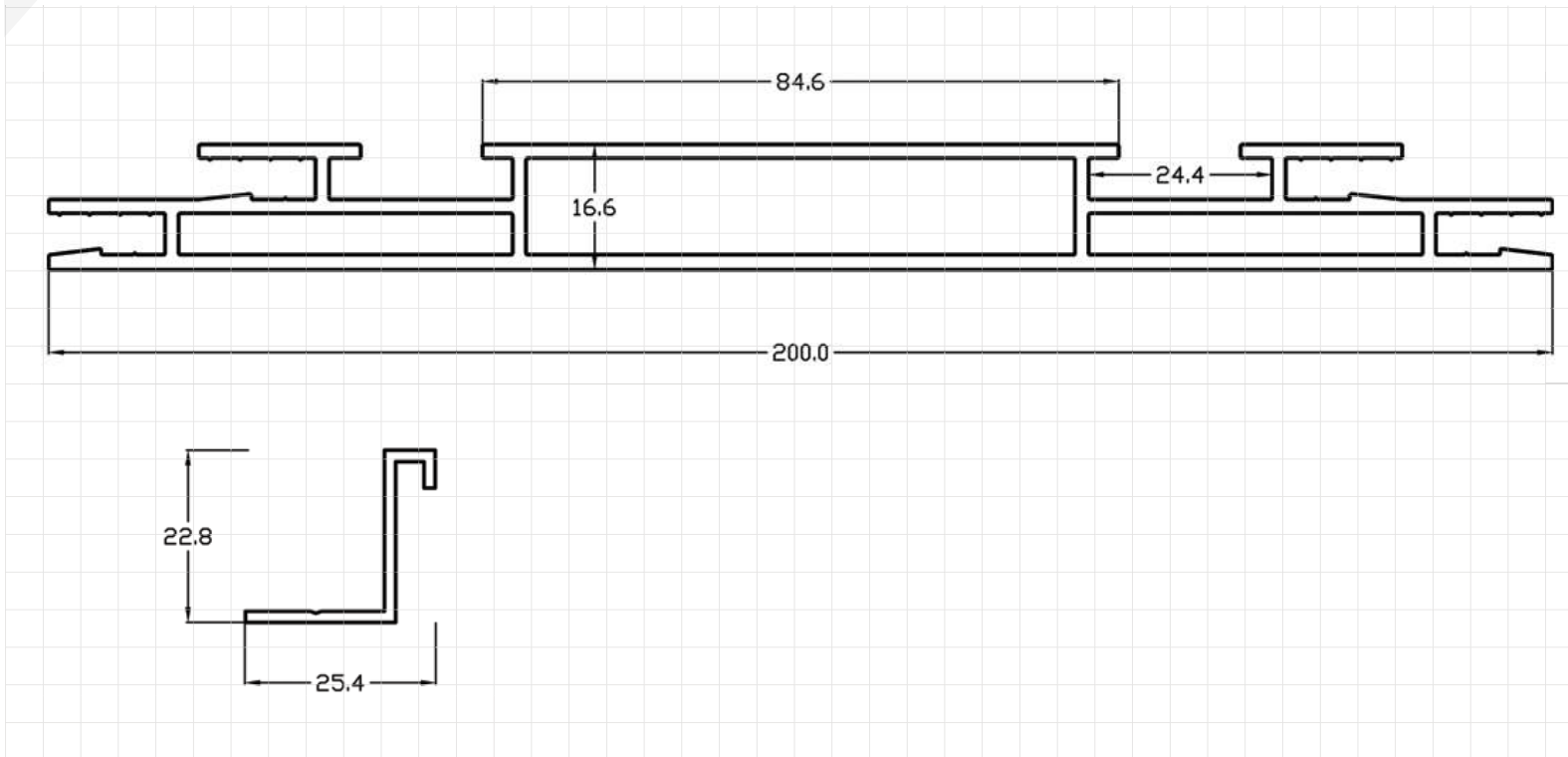
Thule Koda
Estonia / Kuressaare
Installer: Vecta Design



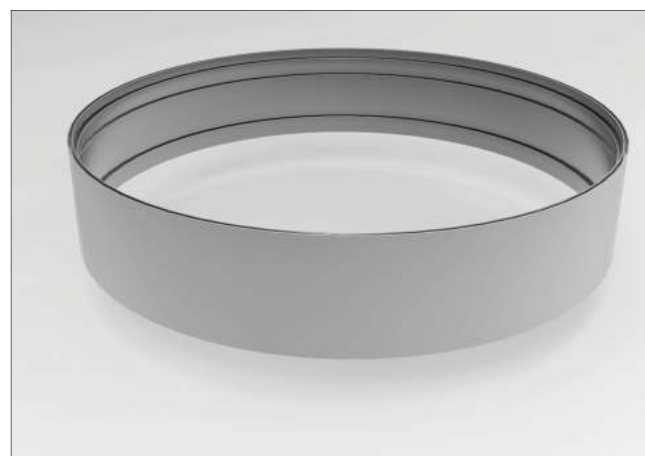
Vabamu Museum of Occupations and Freedom
Estonia / Tallinn
Installer: Vecta Design

Feel free to contact in case any questions: info@vectadesign.com | phone: +372 44 23 023 | fax: +372 43 70 339

PROFILE REAL-SIZE DIMENSIONS



ABILITY TO BEND PROFILE



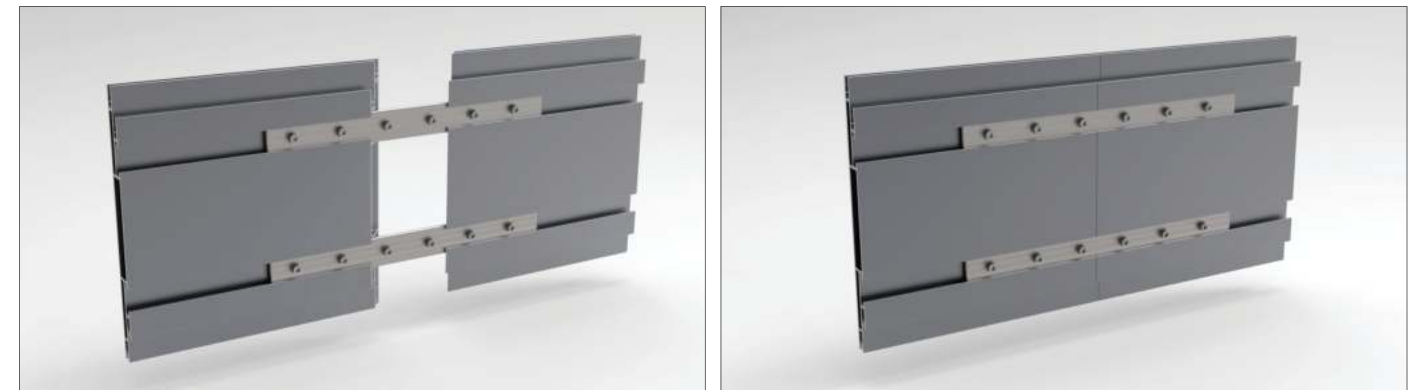
Minimum diameter for bending AL 27 is 90 cm



DESCRIPTION

This profile was developed to create an illuminated design without any shadows. AL 27 Lock fits on different levels of the AL 27 profile and is used for holding backlit led lights on PVC sheet or to hold acoustic sheets. NB! If the frame length is longer than 150 cm, or if the diameter of the lamp is more than 150cm, then we recommend using profile AL 17.

Corner fixing with LC10



Connecting profile by the length using LC-08

Colors and finishes



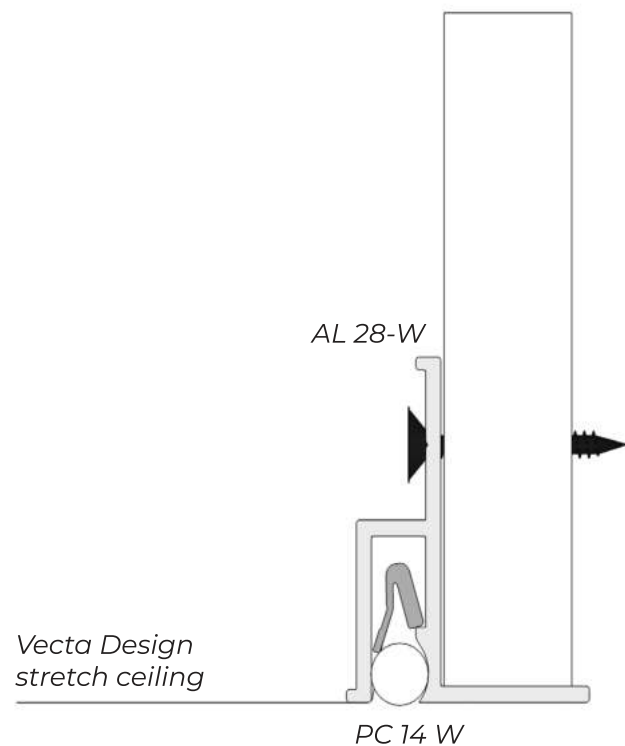
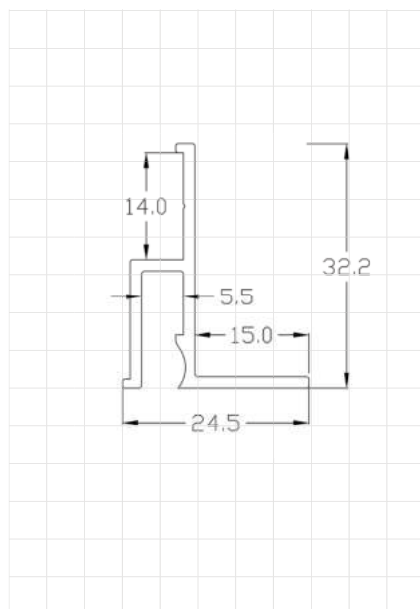


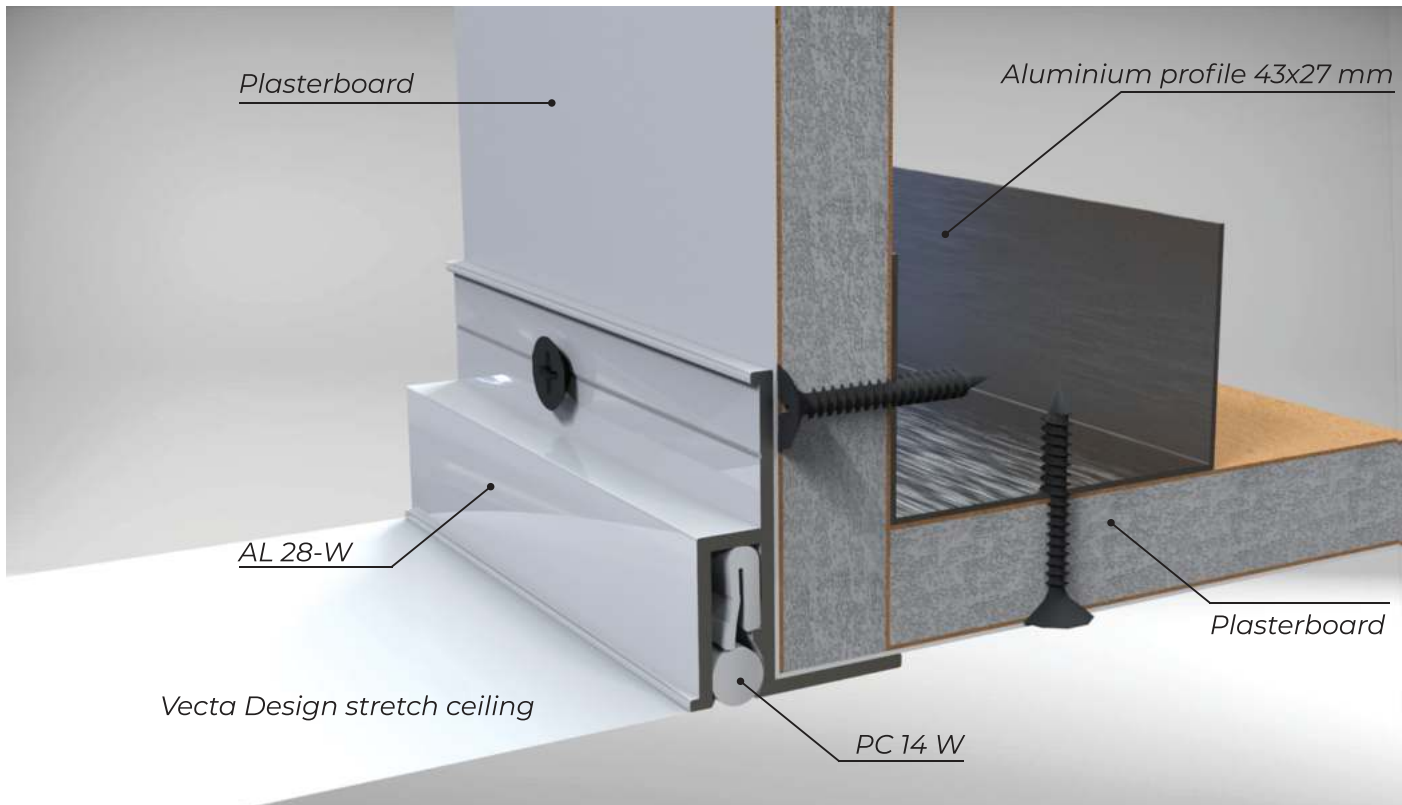
AL 28-W

Used with MINI harpoon

Aluminum profile AL 28-W is the classic wall profile. It was designed by Vecta Design specially for the installation of plasterboard and stretch ceiling in the way that both ceilings will be on one level. The profile allows to overlap the corner joint of the gypsum board and creates a smooth edging at the connection point.

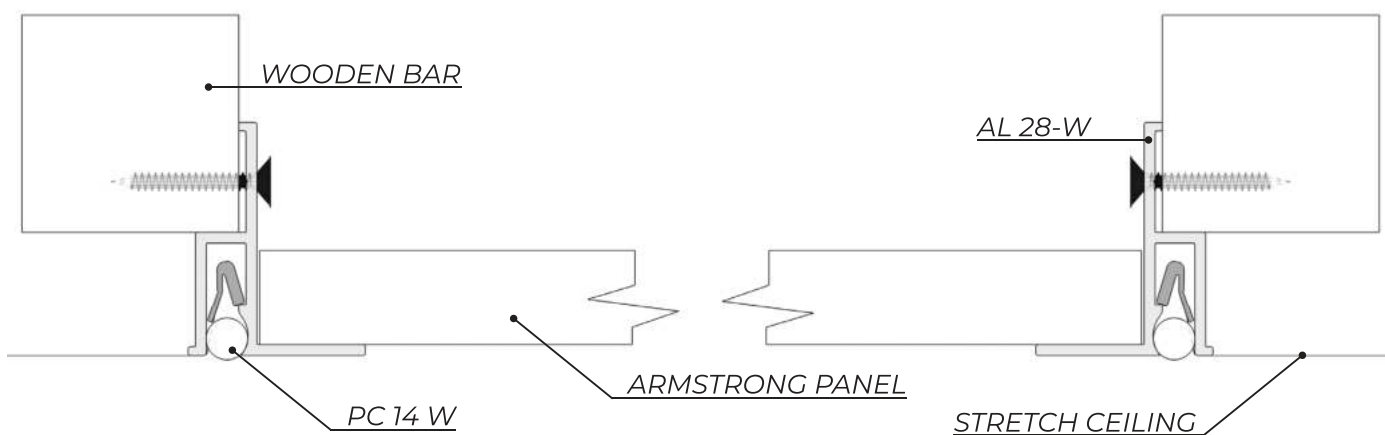
PROFILE REAL-SIZE DIMENSIONS



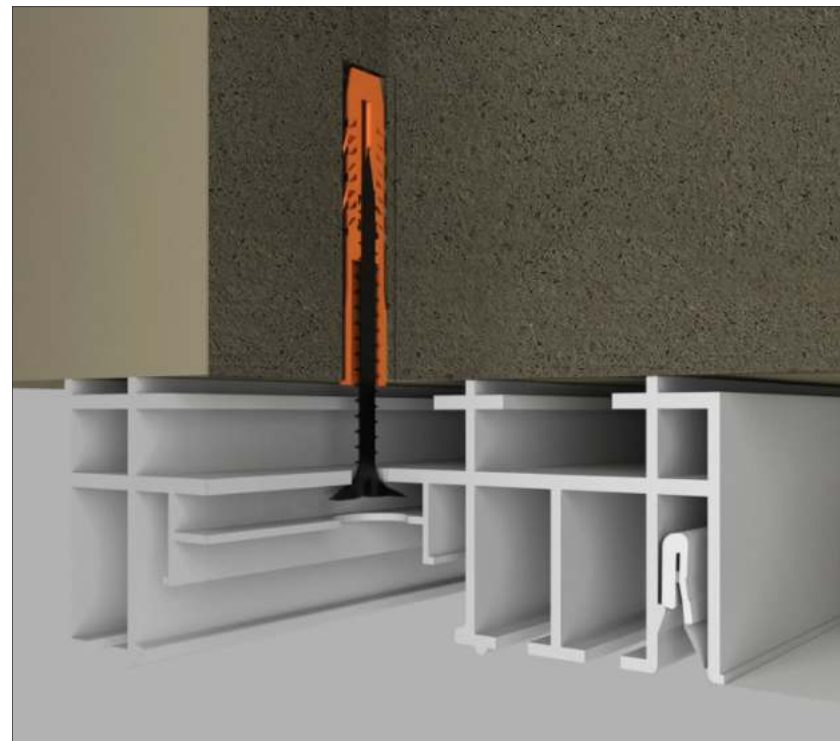
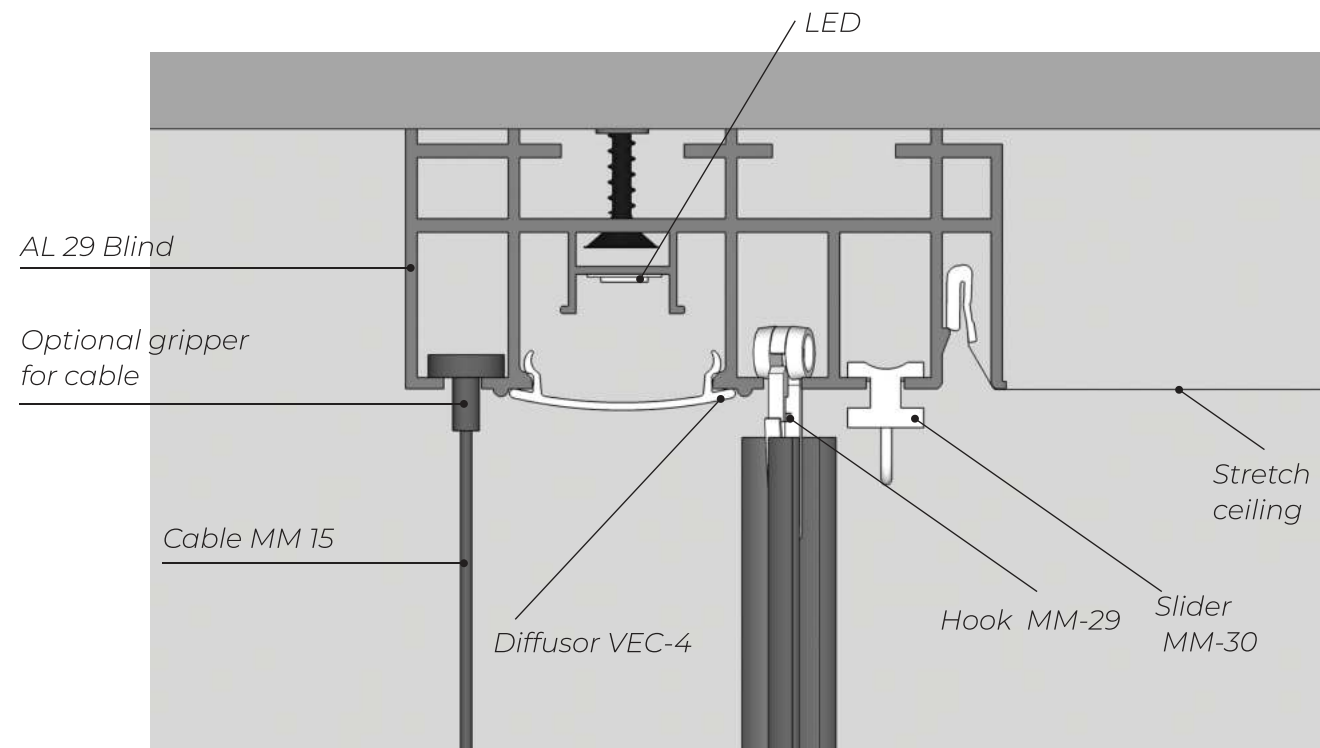


Elastic PVC decoration clip PC-14 W with the round cross-section was designed to mask the gap in the lock, it is very easy and convenient to use. The profile has a lock for using the MINI-harpoon. AL 28-W is colored in neutral white semi-mat RAL 9003.

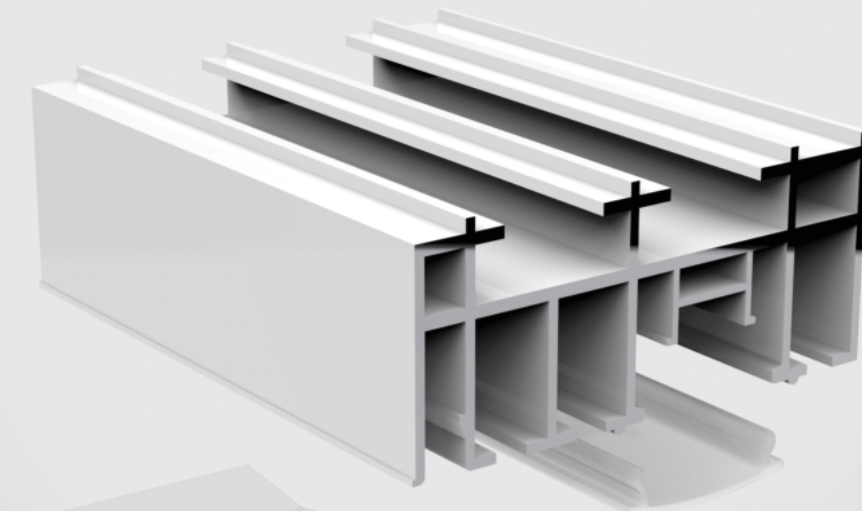
USING PROFILE AL 28-W WITH ARMSTRONG CEILING PANELS



PROFILE AL29 BLIND MOUNTING TO THE CEILING



AL-29 Blind is painted in neutral white color RAL 9003, is protected against the corrosion and can be installed in places with high humidity. As a light source, we recommend using LED strips from our pricelist: LR-42, LR-43, LR-44, and LR-57. White matt diffuser VEC-4 is used for an even light scattering. The LEDs, the diffuser VEC-4 and the accessories for hanging the curtains and photos must be ordered separately.



AL 29 BLIND

We have developed a new aluminum profile AL29 BLIND especially for those, who appreciate exquisite style in the interior.

OBJECTS DONE WITH THIS PROFILE



Private apartments

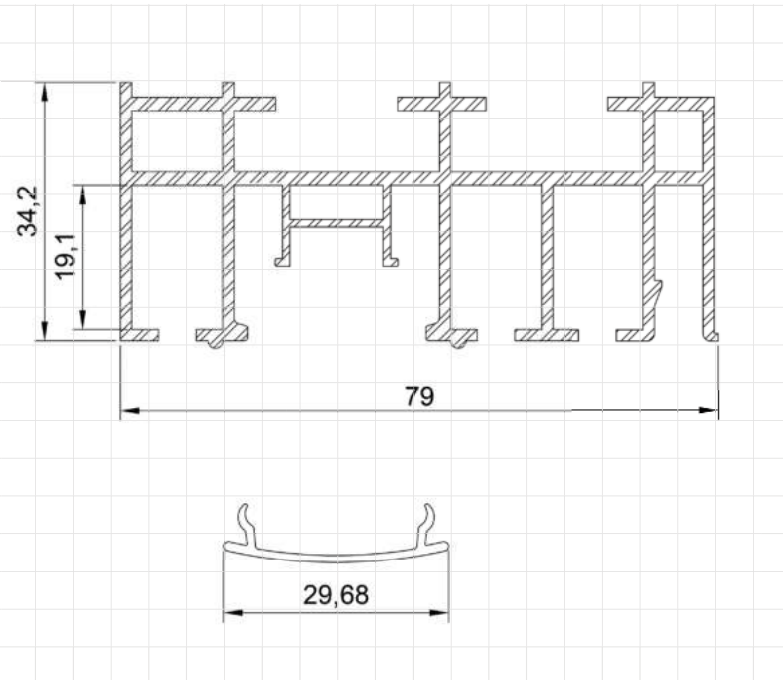
Lithuania / Vilnius Installer: Lubu Sistemose

THE ADVANTAGES OF AL 29 PROFILE

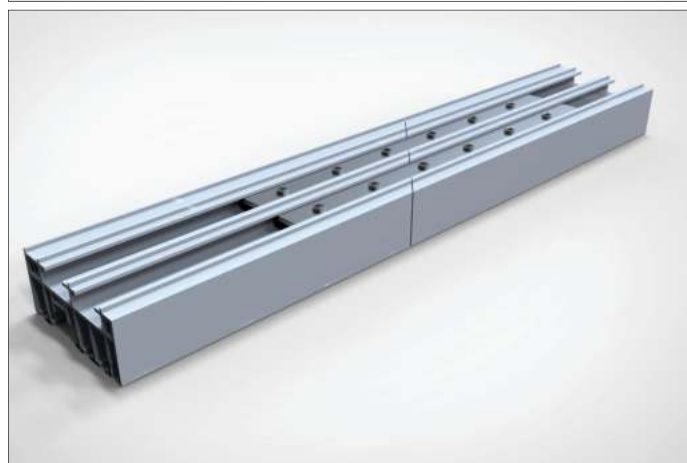
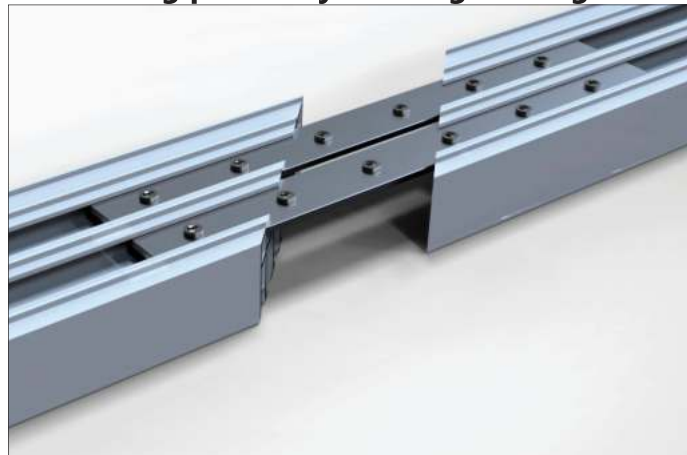
Aluminum profile AL 29 BLIND is an integrated solution that combines several possibilities:

- Curtains are fixed on 3 "rails" and the light source is in between.
- Curtains are fixed on 1 "rail". The curtain is located behind the light source. In this case, the light will emphasize the texture of the material.
- Curtains are fixed on 2 "rails". It is possible to use the profile with and without lighting. If lighting is not used, we recommend covering this area with the diffuser VEC-4.

PROFILE REAL-SIZE DIMENSIONS



Connecting profile by the length using LC-08

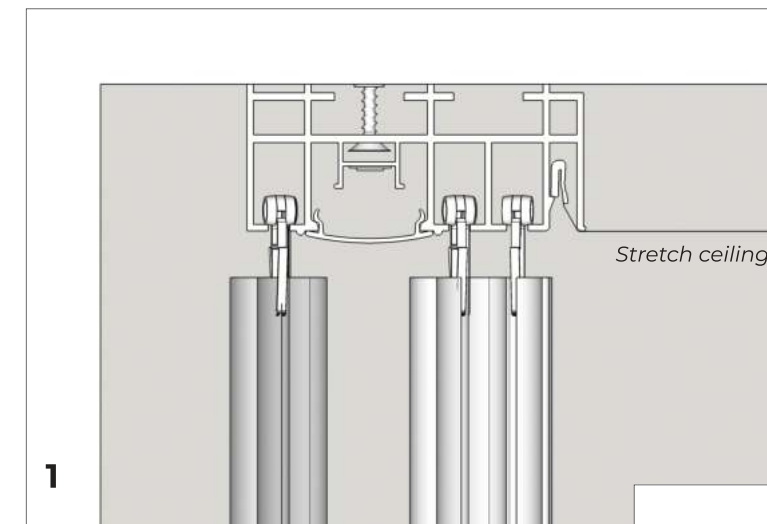


DESCRIPTION

Vecta Design offers also plastic hooks for hanging the curtains – MM-29. MM-30 is used to hang decorations or art and pictures. Standard profile length is 2,5m, but it is possible to order up to 5m long profiles. Profile extensions are made with LC-08 connecting plates. In case of long walls, it is possible to connect the AL-29 BLIND profiles using LC-08 metal connection plates. During installation, profiles are fastened to the ceiling with dowels: no need to install any additional constructions. The corners of the profiles can be cut to the needed angle.

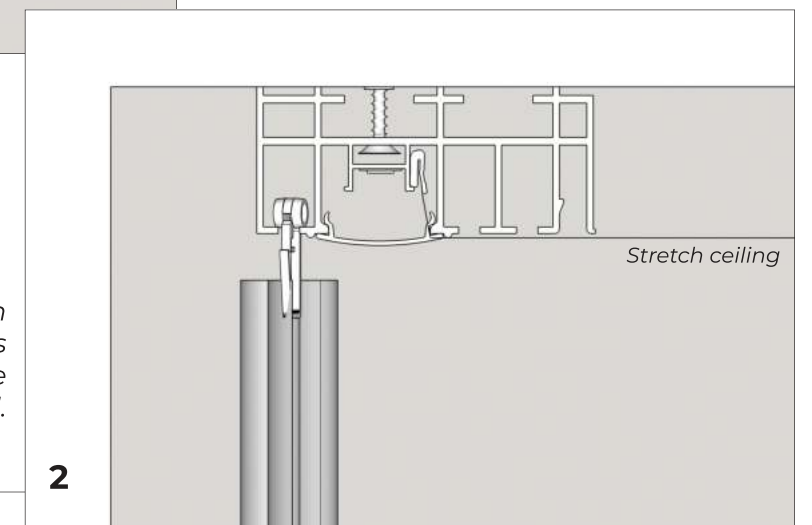
POSSIBILITIES OF USING AL 29 BLIND PROFILE

Aluminum profile AL 29 BLIND is an integrated solution that combines several possibilities:



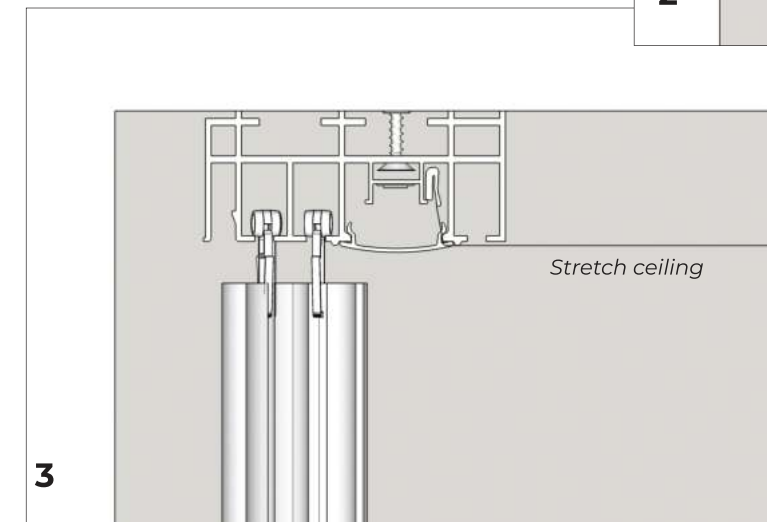
1. Curtains are fixed on 3 "rails" and the light source is in between.

1



2. Curtains are fixed on 1 "rail". The curtain is located behind the light source. In this case, the light will emphasize the texture of the material.

2



3. Curtains are fixed on 2 "rails". It is possible to use the profile with and without lighting. If lighting is not used, we recommend covering this area with the diffuser VEC-4.

3

VIBRANT

Developed by Vecta Design



Example frame size 60x200 cm

Connect your smart device with the Vibrant panel through Bluetooth and listen your favorite tracks



Dimensions:

- 60 x 120 cm
- 60 x 180 cm
- 60 x 200 cm
- 80 x 80 cm
- 90 x 90 cm
- 100 x 100 cm
- 100 x 200 cm
- 120 x 120 cm
- 120 x 200 cm

Music-related activities are important to be enjoyed.

Home sound systems can be quite complicated. Speakers (220 watt) are integrated in the frame, the canvas can be covered with printed illustrations, meaningful photo memories or single-tone stretch material. The solution can be made without any annoying wires to be seen and without complicated settings to learn as the panel will be supplied as ready to use sound system. The integrated speaker is easily adaptable with a cellphone or other smart devices by Bluetooth.



AL 30 SHARK

The aluminum profile AL-30W SHARK was developed for creating eye-catching frames, which can be fixed on the wall as well as on the ceiling. The main advantage of such a structure is the elegant sharp edge created by a diagonal profile plane at an angle of 150 degrees to the horizontal plane.

THE ADVANTAGES OF AL 30 PROFILE

- Vecta Design Silent panels can reduce such environmental threats as stress, productivity losses, communication difficulties, fatigue from lack of sleep, to more serious issues and save thus people's health.
- Thermo panels will guarantee a cozy feeling in the space where it is important that everybody would feel great and energetic in order to maximize their contribution.
- Tailor-made Vibrant panels can be an exclusive design elements in the space that will have a considerable impact on subjective well-being as listening the music is one of the most popular leisure activities.

OBJECTS DONE WITH THIS PROFILE

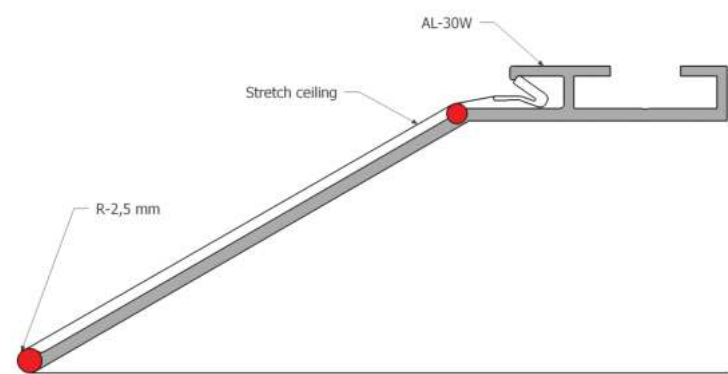
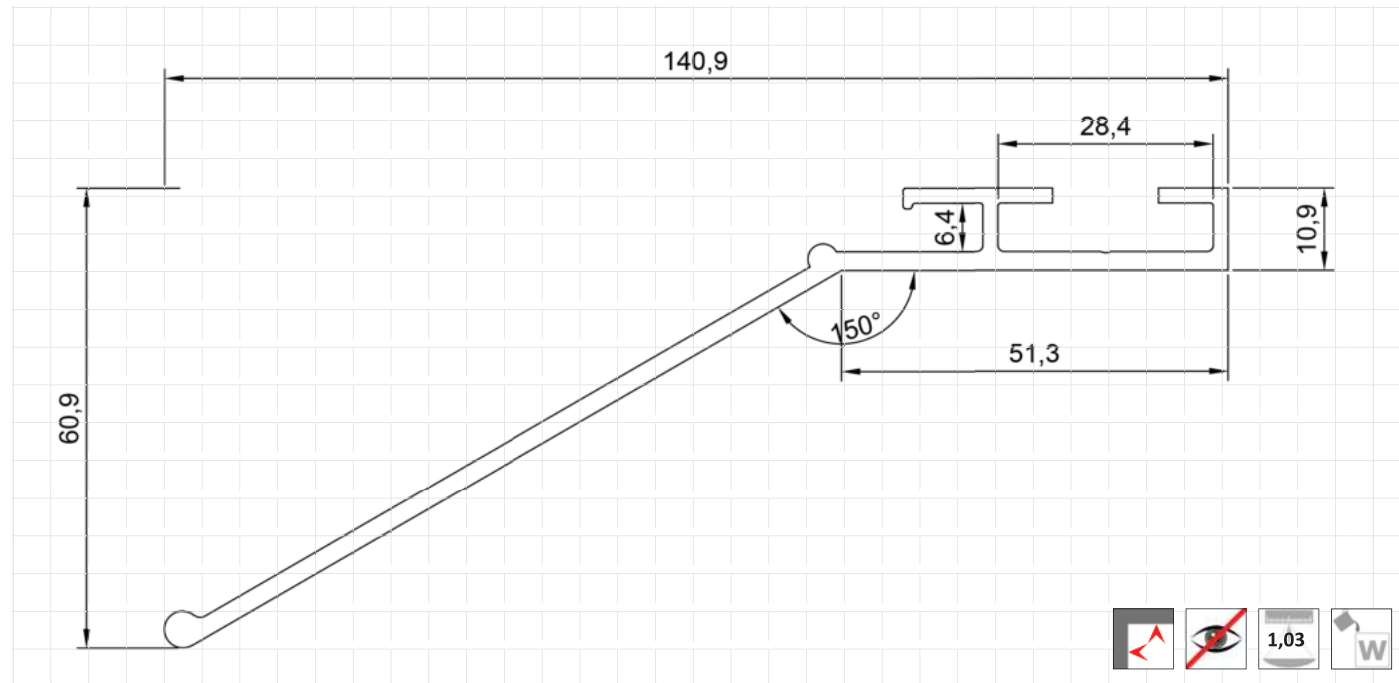


Private apartments
Estonia / Pärnu
Installer: Vecta Design

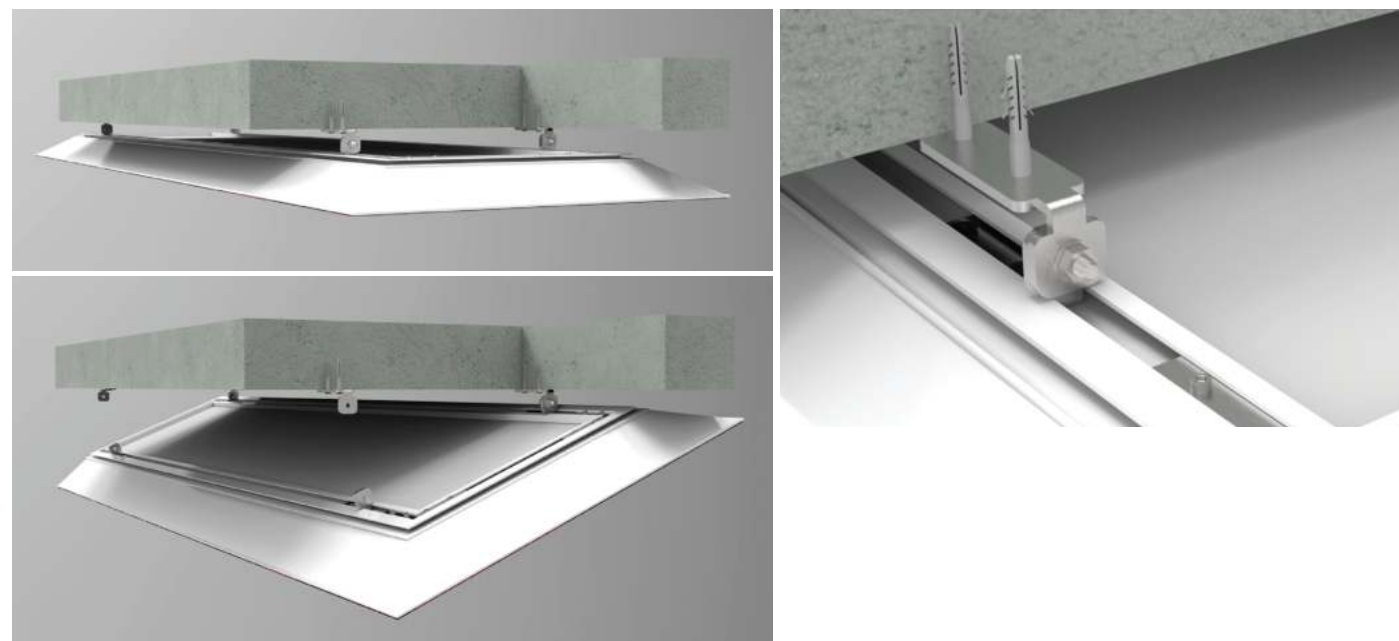


Restaurant "Hunter"
USA / New York
Installer: Awake

PROFILE REAL-SIZE DIMENSIONS



The panels are made of white-colored (RAL 9016) aluminum profiles and covered with fireproof (Bs-1 d0 or Bs-2 d0) microperforated stretch materials (max. 0,3 dm) which has a long service life. Vibrant panels are covered with special stretch fabric and these panel covers can be changed and replaced as often as there is a need or mood for doing that. The panel backside is covered with light but durable aluminum composite material. This profile versatile usability possibilities will guarantee a supplementary comfort and extra beauty in the space.

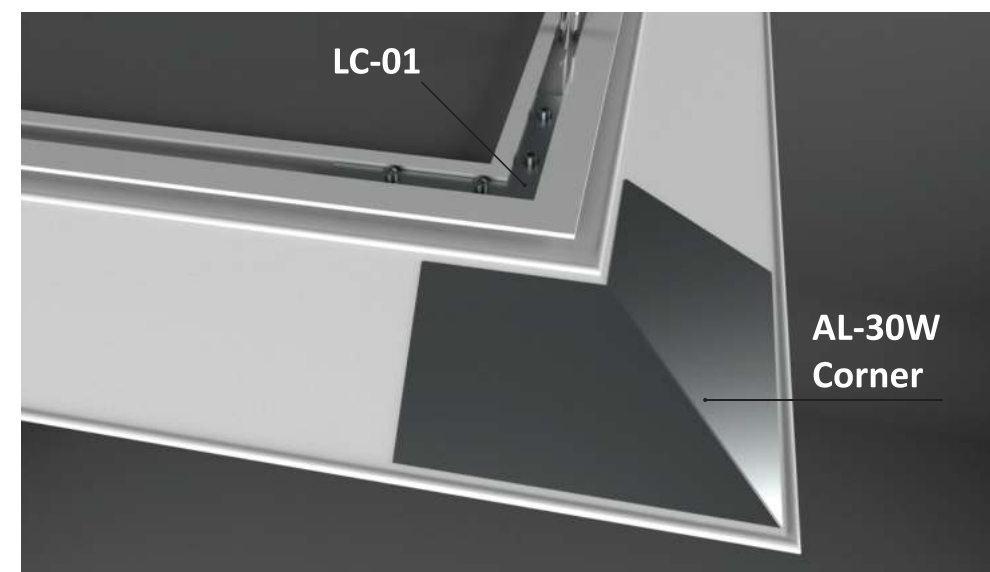


Feel free to contact in case any questions: info@vectadesign.com | phone: +372 44 23 023 | fax: +372 43 70 339

DESCRIPTION

We offer the panels with 3 commonly used features integrated into it - acoustic qualities (Silent), warmth panels (Thermo) and stereo system (Vibrant).

The profiles are white-colored (RAL 9016). The frame corners can be fixed with metal corners LC-01 in the upper part of the profile. The backside of profiles is also covered with stretch material. The panels have 2 types of installing methods - it can be placed on the walls and in the ceiling. On the ceiling, we recommend the frame holder MM 328. This way the frames can be attached to the basic ceiling and the panel will be hanging on steel wire ropes, which can be at any length (min 10 cm from the base ceiling). On the walls, we recommend using wall fixators to fasten the panels safely on the wall.



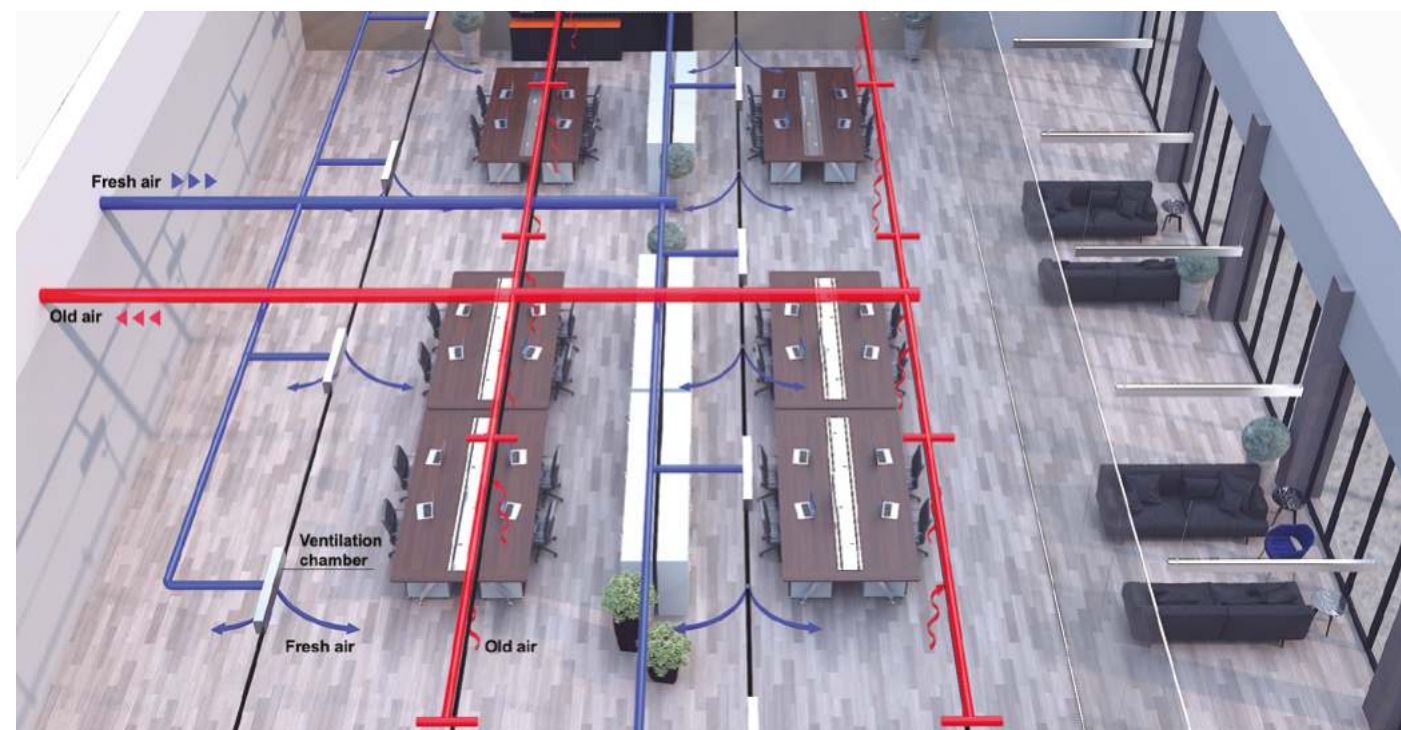
To reinforce the overall structure of the frame, the corners are joined either by welding or with specially designed fasteners - AL30 CORNER.

Feel free to contact in case any questions: info@vectadesign.com | phone: +372 44 23 023 | fax: +372 43 70 339

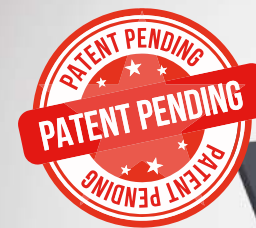
MOUNTING PROFILE TO THE CEILING USING VECTA SUPPORT SYSTEM



Air diffuser width	50 mm
Air chamber material	Galvanized steel / Aluminium / Stainless steel
Air chamber length	1250 mm (Standart) / Custom size available
Air chamber insulation	Foamed rubber 10 mm / Foamed rubber Metallized 6 mm
Air flow rate	20-270 m³/hm
Tube connection	100-125 mm



Feel free to contact us for any of your questions: info@vectadesign.com | phone: +372 44 23 023 | fax: +372 43 70 339



AL 32 used with **MINI harpoon**

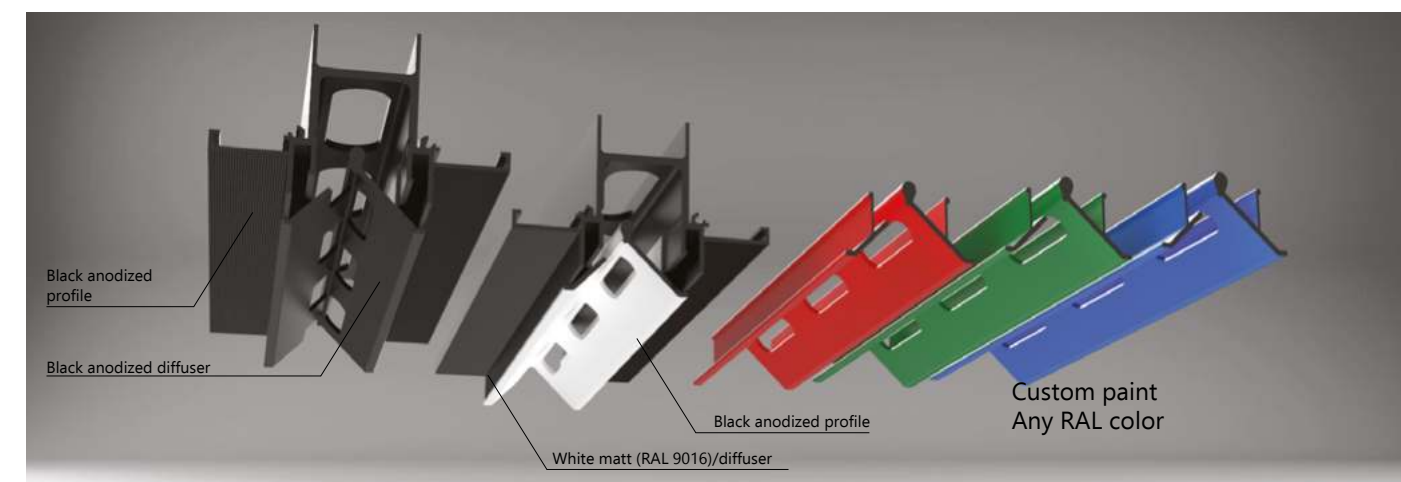


The SmartAir AL32 is a new slim and subtle linear air diffuser that provides a more comfortable climate and an easy indoor installation.

ADVANTAGES OF THE AL32 SMARTAIR PROFILE:

- **Draught-free air distribution.** The new linear diffuser profile produced by Vecta Design allows you to change the direction of the air flow and spread fresh air throughout the room without compromising on well-being. The air exits vertically through small ducts and is finely dispersed, allowing a diffused, indirect, and comfortable air flow.
- **Cleanliness.** The SmartAir solution helps keep the ceiling clean for longer than any traditional air diffuser.
- **Easy and quick installation.** The well-thought-out design and profile concept allow easy integration with gypsum board without additional construction and effort. There is also a lock for the harpoon to install the stretch ceiling in the profile. The SmartAir system helps to maximize the efficiency of your existing ventilation system in less time.
- **Universal profile.** The SmartAir system can be integrated into both stretch and plasterboard ceilings or a combination of both.
- **Design.** The ultra-slim and elegant diffuser profiles blend in perfectly with any architecture and allow you to create an almost invisible air diffuser system using a white diffuser on a white ceiling. Alternatively, a black air diffuser on a white ceiling provides a beautiful and stylish contrast. The SmartAir diffuser profile can be painted in any RAL color.
- **Ceiling pressure control.** The SmartAir system helps to equalize the pressure above the ceiling, which is especially important for larger areas.
- **Air chamber with additional insulation.** Mainly used in particularly hot countries.
- **Functionality.** Fresh air is distributed in the room continuously and evenly without generating a direct airflow, which often causes discomfort.

Colors and finishes

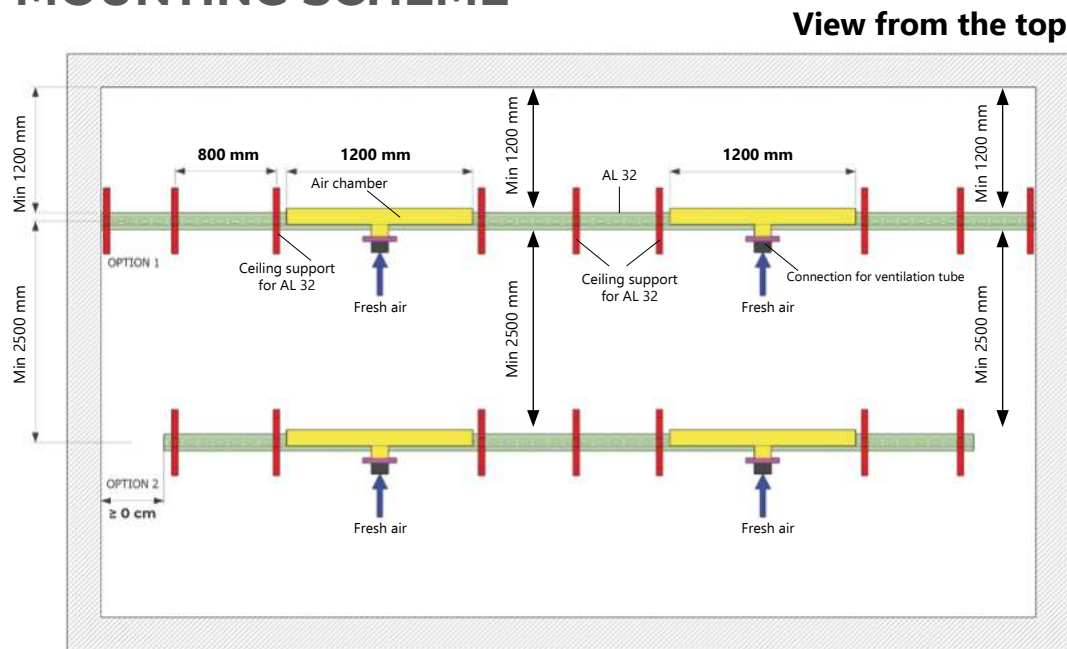


DESCRIPTION OF THE PROCESS

We meticulously designed the SmartAir diffuser to disperse the flow of fresh air into small channels, giving it a set direction when it enters the room. The stale air in the room heats up, rises, and is cleared from the room through the same profile, through the area where the air chamber is not installed. This very effective air exchange minimizes the need for additional cooling. The SmartAir system can be used in both private and public spaces and easily connects to any existing ventilation system. For rooms with a high humidity, such as swimming pools, the air chamber can be made of stainless steel.

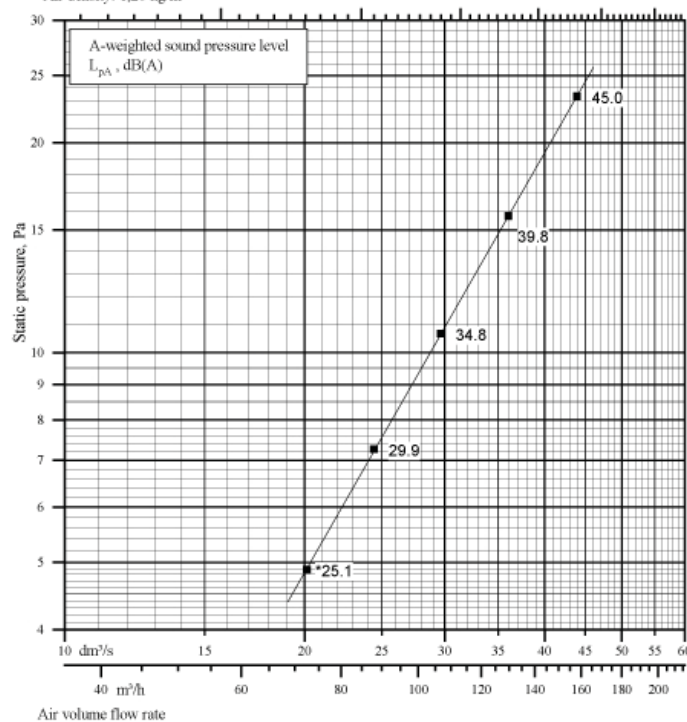
The SmartAir system consists of a black, anodized AL32 base profile, a white or black diffuser (other RAL colours can be ordered), and a galvanized steel air chamber. Optional, additional insulation of the air chamber allows the SmartAir system to be used in particularly hot countries and prevents excessive energy loss while cooling the room. The VECTA Design support system allows you to quickly and easily install the profile on the base ceiling.

MOUNTING SCHEME



Aerodynamic and flow noise properties

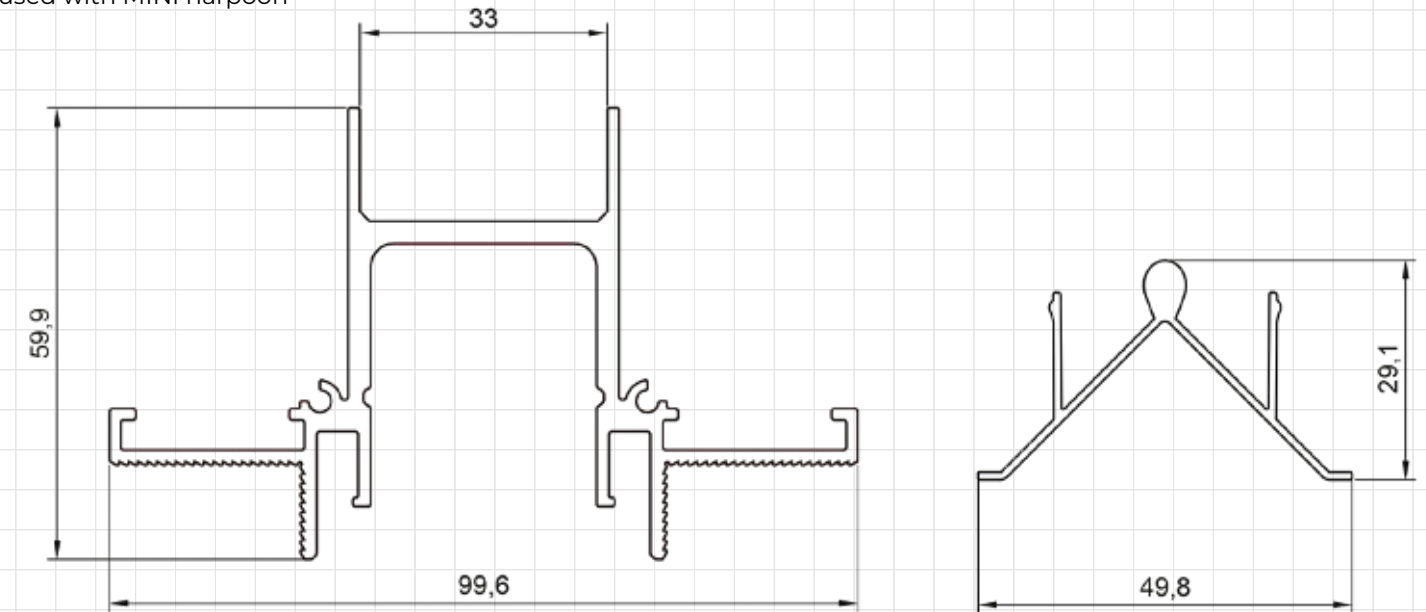
EN 12238:2001
ISO 5135:2020
Air flow direction: Inflow
Air density: 1,20 kg/m³
Duct velocity, m/s (ø 100 mm duct)



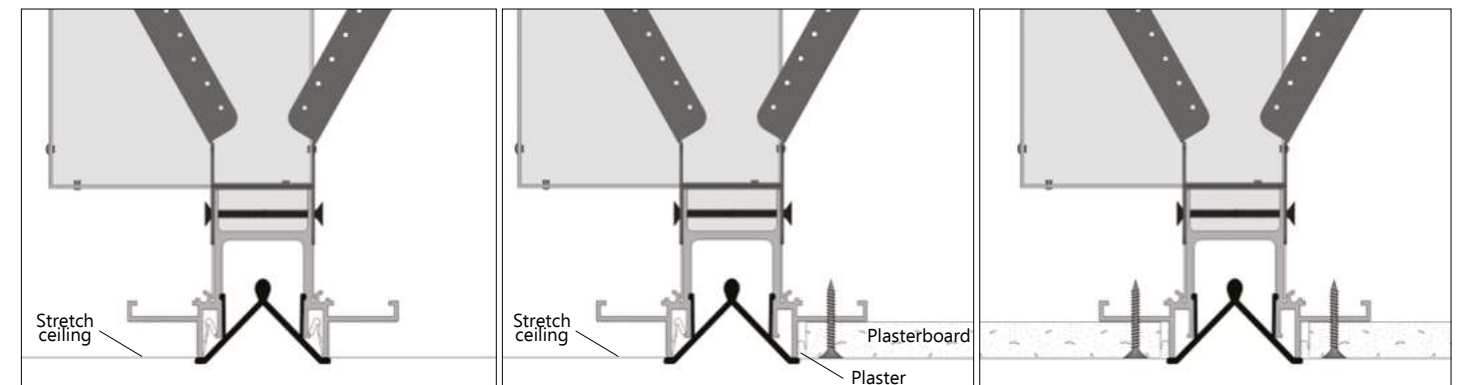
One meter of Smart Air profile in combination with a single air chamber allows a flow of fresh air of up to 162 m³/h, enough to provide a small office space or above average living area with plenty of fresh air. At maximum capacity, less noise is produced than by an average refrigerator. When used with an average air flow, less than 20 decibels are produced, equivalent to the sound of rustling leaves. When increasing the length of profiles and the amount of air chambers, the air speed can be reduced while maintaining the same flow of fresh air and decreasing the level of sound even further. This way, you can get rid of the two most annoying things about ventilation systems: noise and a concentrated air flow. What's left is a stimulating sense of well being.

PROFILE REAL-SIZE DIMENSIONS

used with MINI harpoon



USING OF PROFILE



CONNECTING OF PROFILES

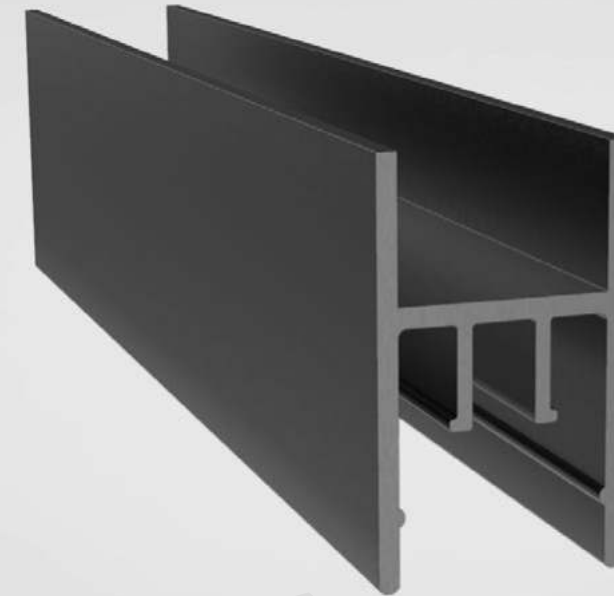


Connecting profiles lengthways using LC-08



Corner fixing with LC11

LIGHTING OPTIONS FOR THIS PROFILE



AL 33

Used with EXPO HARPOON or MINI harpoon

Functional profile for creating tailor made design lamps with flexible LED diffuser. Thanks to its small size and the ability to bend, AL 33 profile allows to create light and stylish lamps and implement creative design solutions. Used with Mini harpoon.

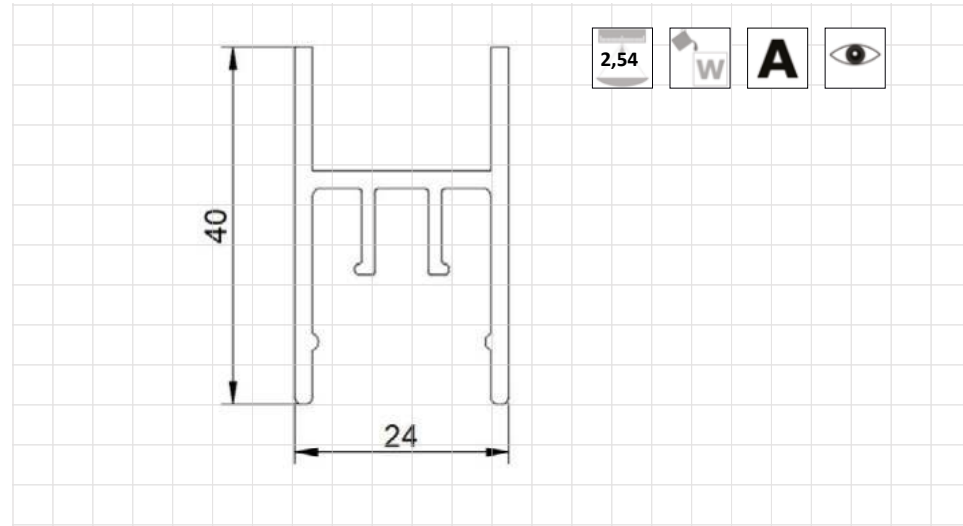
THE ADVANTAGES OF AL 33 PROFILE

- Design elements created with this profile can be installed or mounted in different ways:
 - directly to the ceiling or a wall
 - suspended by metal cables from the ceiling
 - supported by Vecta Support System
- The profile can be combined both with tension material and independently, creating thin lines of light.
- LED lighting elements can also be easily installed on the both sides of the profile.



**PROFILE
REAL-SIZE
DIMENSIONS**

used with MINI harpoon



DESCRIPTION

AL 33 profile was developed to enable the creation of lighting solutions with continuous light lines with the 20 mm wide flexible LED diffuser. LED lighting elements can also be easily installed on the both sides of the profile to make modular lights with glowing edges in two directions. Used with special fastenings the profile can be attached or hung directly to the ceiling. Also it can be attached directly to the wall. Profile can be used with stretch ceiling material. Minimum diameter for bended profile is 800 mm.

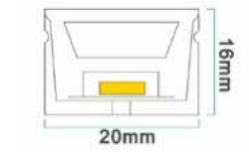
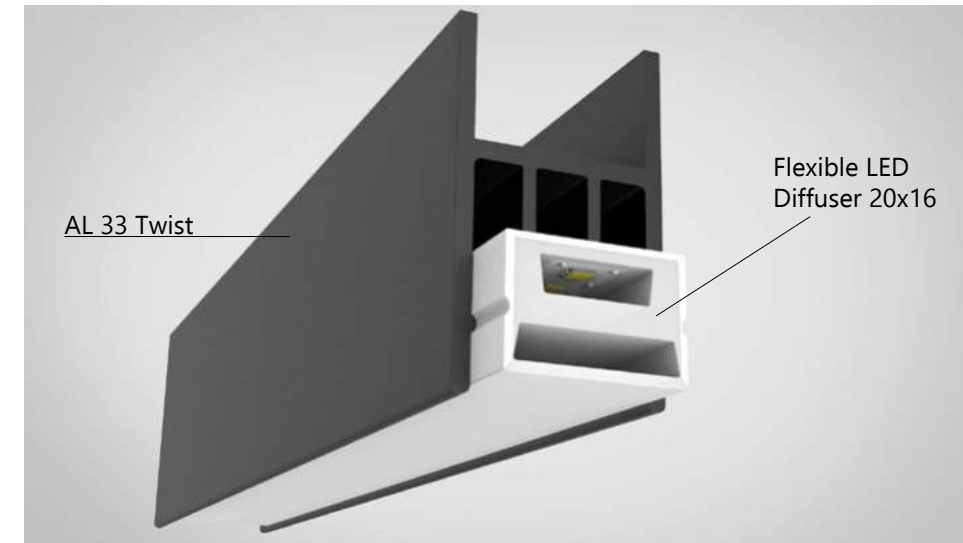
ABILITY TO BEND PROFILE



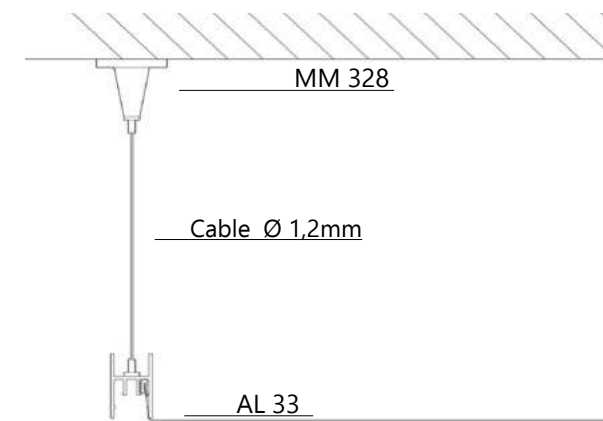
**Minimum diameter
for bending AL 33 - 800 mm**
(bigger custom size available)



ACOUSTIC LIGHT PANELS



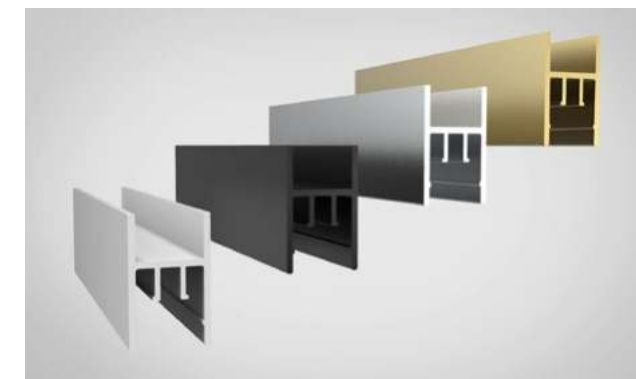
ABILITY TO INSTALL THE PROFILE TO THE BASE CEILING



Cable mounting

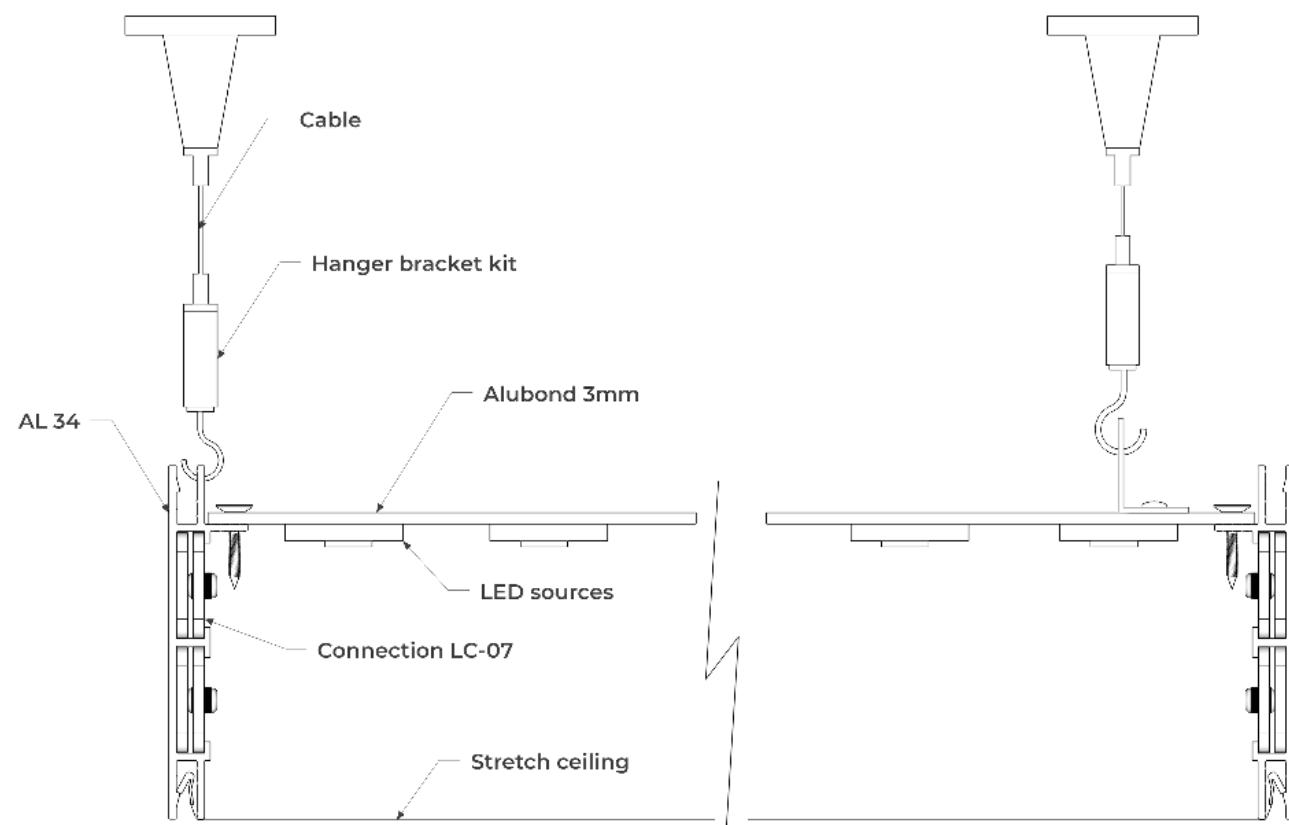


Vecta Support System



Colors and finishes

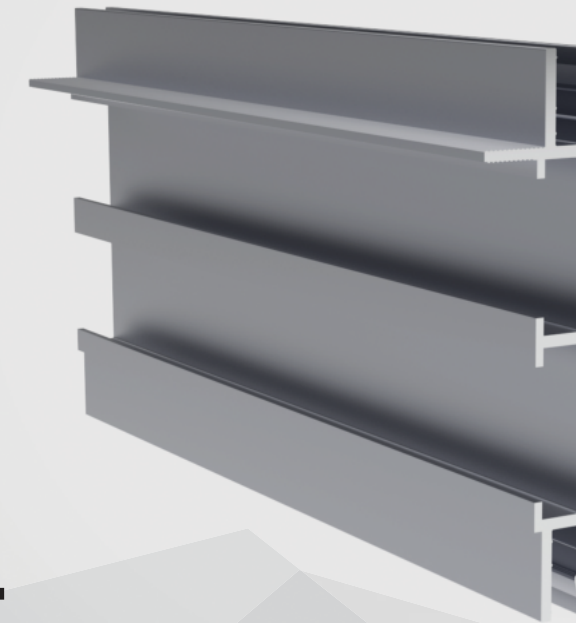
AL 33 profile can be painted according to the RAL palette in the color of your choice.



To be stably attached, the modular lighting profile requires the stretch material to be equipped with an EXPO harpoon or the MINI harpoon. The modular lamps can be installed in three ways: 1) as hanging lamps, 2) fixed directly to the base ceiling and 3) on the walls as well. We recommend fastening the modular lamps with adjustable length cables with a suitable size of hooks for hanging the modular lamp.



Feel free to contact in case any questions: info@vectadesign.com | phone: +372 44 23 023 | fax: +372 43 70 339



AL 34

Used with EXPO HARPOON or MINI harpoon

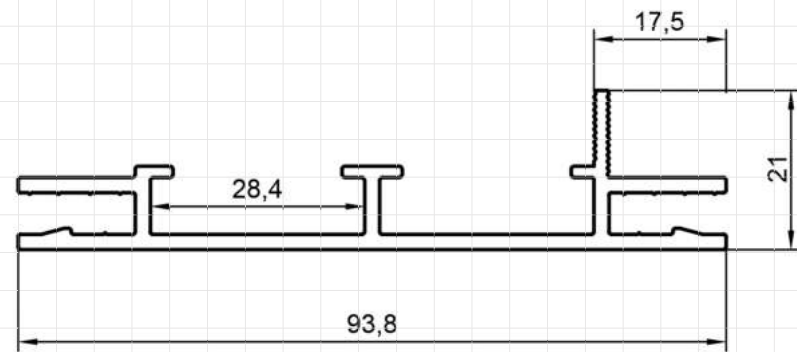
Modular lighting profile AL 34 is designed to be more flexible, to create round-shaped lamps

THE ADVANTAGES OF AL 34 PROFILE

- Modular lighting profile AL 34 is designed to to create round-shaped lamps
- The profile is available in any powder coating RAL color and also with two different types of coatings – matt and glossy.
- The profile can be bent in various rounded lamps.

Feel free to contact in case any questions: info@vectadesign.com | phone: +372 44 23 023 | fax: +372 43 70 339

PROFILE REAL-SIZE DIMENSIONS



COLORS AND FINISHES

The profile is available in any powder coating RAL color and also with two different types of coatings – matt and glossy. Glossy coating, which makes colors more vivid and vibrant, is an additional layer applied on the outside edge of the profile.



Feel free to contact in case any questions: info@vectadesign.com | phone: +372 44 23 023 | fax: +372 43 70 339

DESCRIPTION

Modular lighting profile AL 34 is designed to be more flexible, to create round-shaped lamps that offer a wide range of interior design options with a diffused, even, and relaxing backlight illumination included.

The classical modular lamp would be covered with translucent stretch material, but to have more personalized products one can also order a high quality printed surface of the lamp that will influence the overall design of a room much more than other ordinary lighting fixtures. We would recommend long-lasting LED light sources with a minimal color shift in time for durable and uniform lighting.

CONNECTING PROFILES



Connecting profiles using LC-07 sets

ABILITY TO BEND PROFILE



Minimum diameter - 80 cm

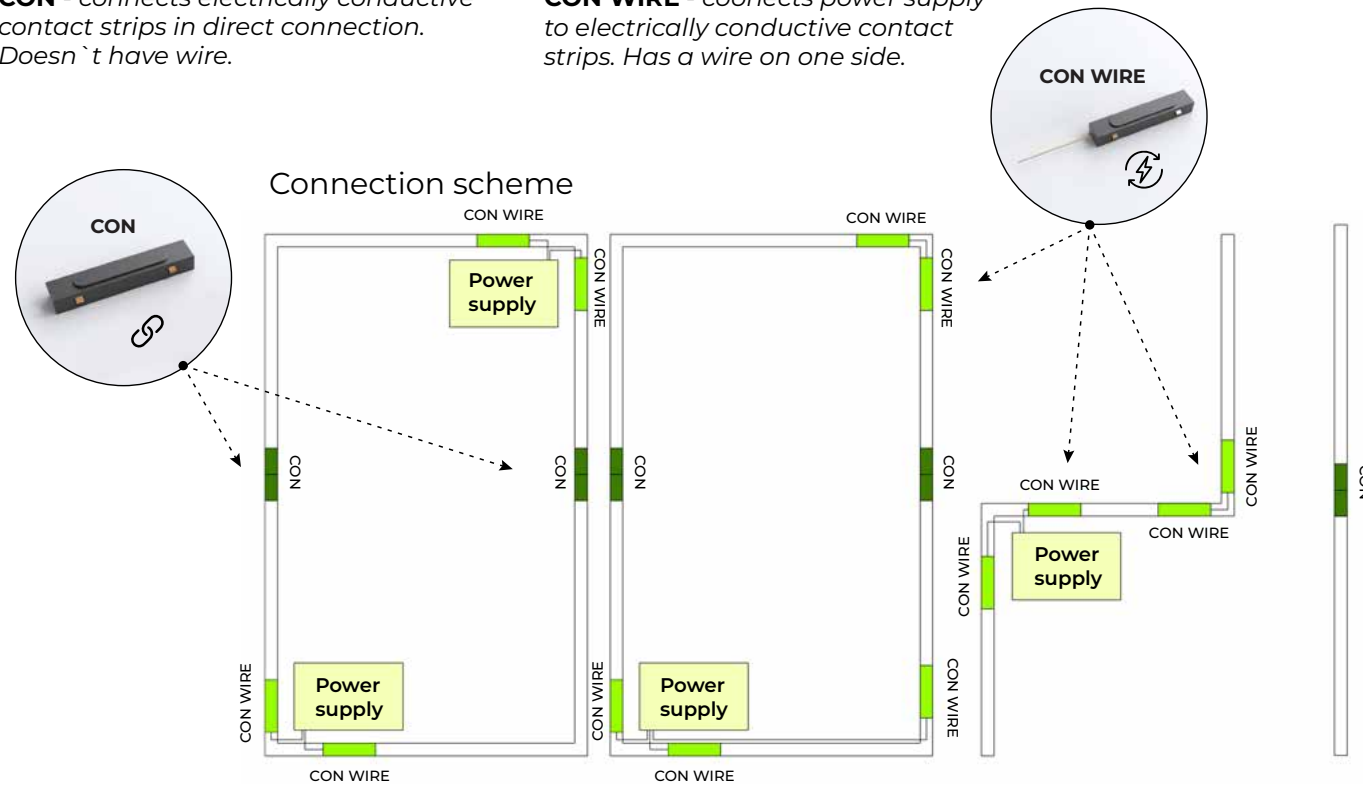
The profile can be bent in various rounded lamps. Minimum inside diameter of the rounded lamp - 80 cm. Different lamp shapes and sizes by request.

Feel free to contact in case any questions: info@vectadesign.com | phone: +372 44 23 023 | fax: +372 43 70 339

ELECTRICAL CONNECTION ELEMENTS

CON - connects electrically conductive contact strips in direct connection. Doesn't have wire.

CON WIRE - connects power supply to electrically conductive contact strips. Has a wire on one side.

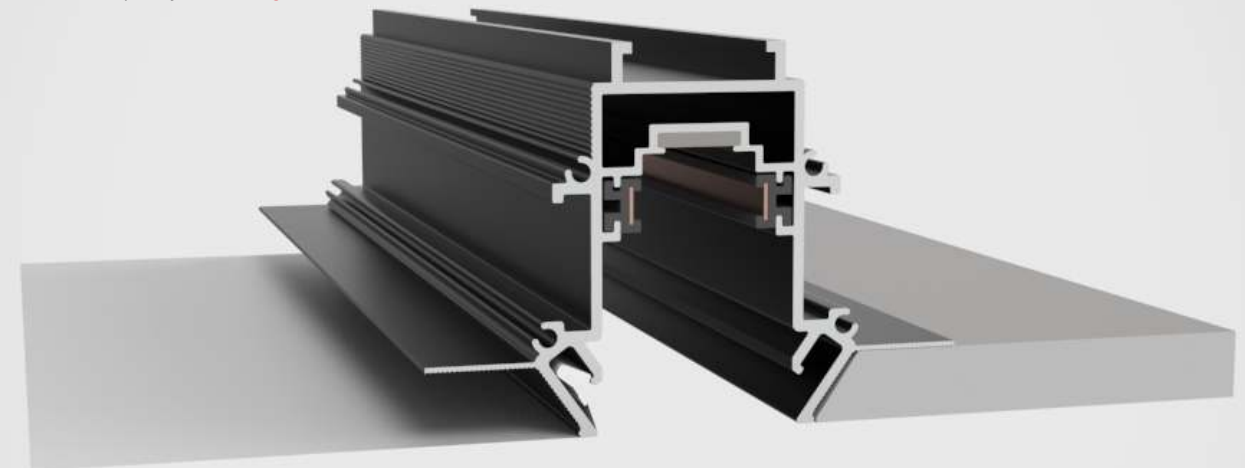


RANGE OF LED LAMPS



All technical information about LED lamps you can find in our pricelist. Please contact with your regional manager.

Another great thing is that the light of the lamps is so discrete you can barely see the light source. It is called a dark light, which sets a more natural mood and creates a more harmonious, gentle light for the lighting atmosphere – while being easy on the eyes. This guarantees that you won't need to ponder about the height or the location of the lights. To make use of your new solution as comfortable as possible, we also offer different ways to control the already adjusted lighting – you can use a wall switch or remote control.



AL 35 Easy Light

Used with MINI harpoon

Aluminum profile AL 35 is functional, flexible, and comfortable to use. The profile enables you to relocate the different styles of lamps (9 different design lamps, various dimensions, warm and cold light effects available) as often as needed. The multipurpose profile can be installed in the ceiling or to the walls and model AL 35 works with any kind of material – with the stretch ceiling, and also with more traditional materials (gypsum for example). Used with MINI harpoon.

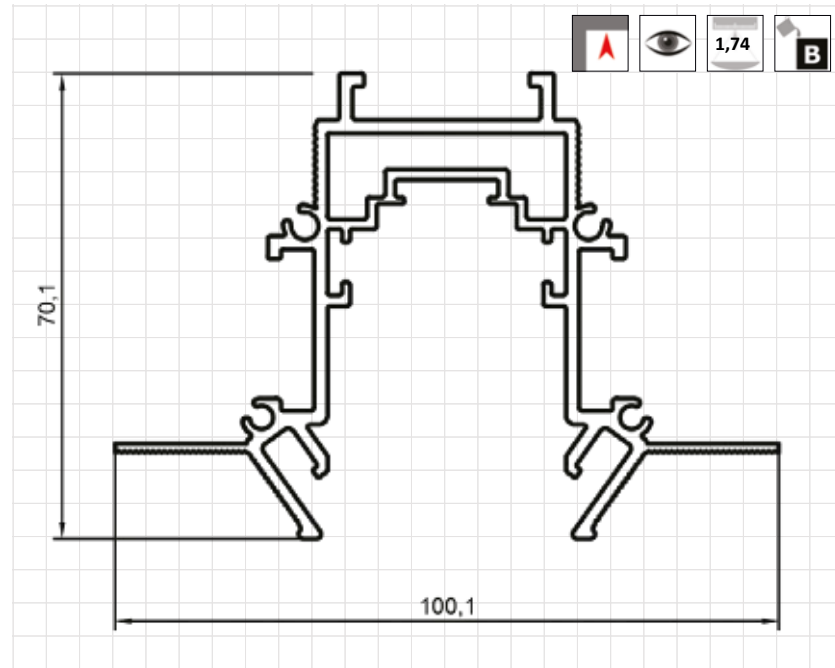
THE ADVANTAGES OF AL 35 PROFILE

- Use the profile with stretch ceiling or other ceiling materials (with gypsum for example) or combine different types of materials in the same room
- Easily change the location of the lamps and avoid time-consuming and costly construction investments
- Integrate additional or main light source in the ceiling or to the walls
- Use a wide variety of different lamps at the same time or change them occasionally

FUNCTIONAL INTERIOR DESIGN CREATED WITH THIS PROFILE

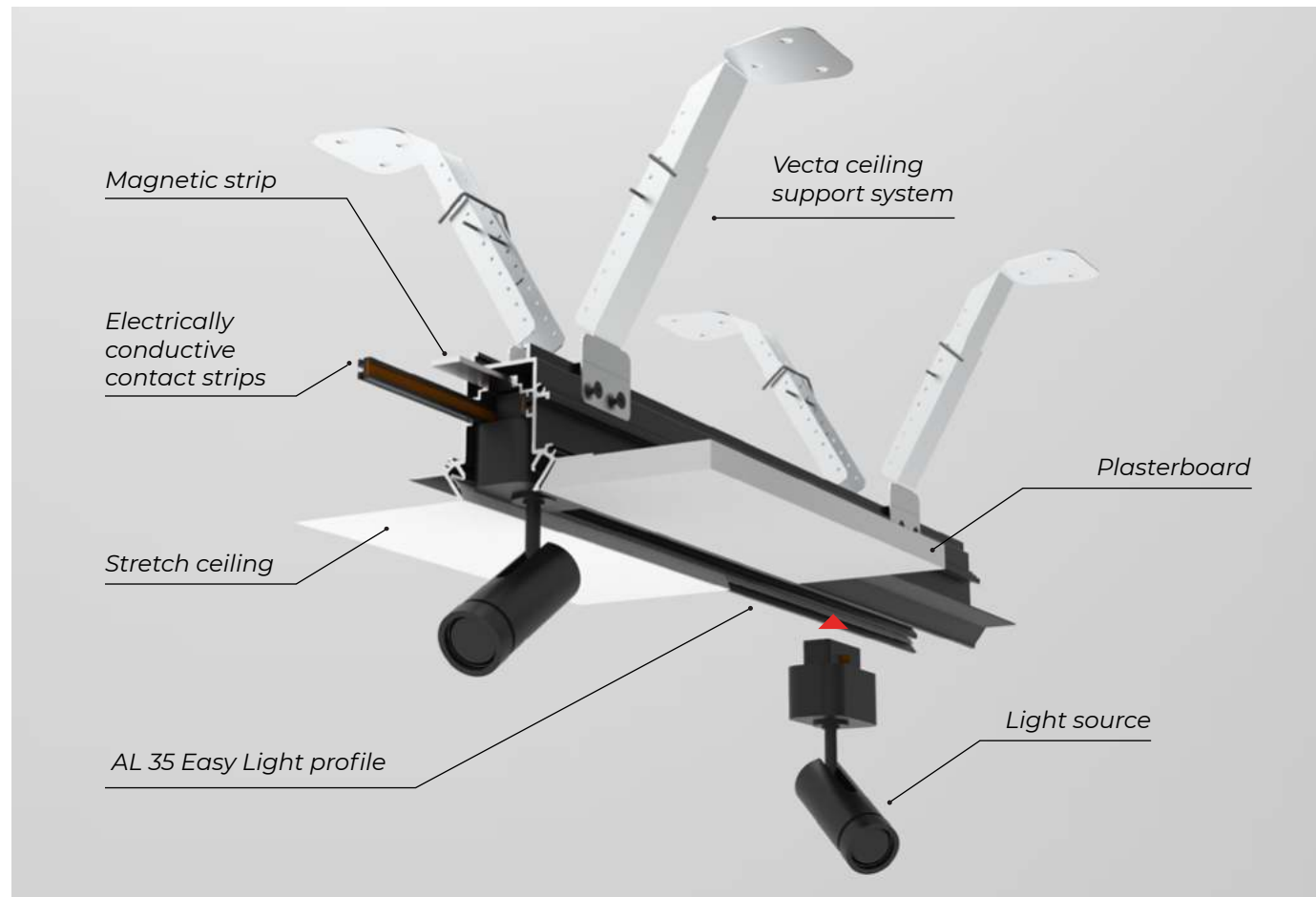


PROFILE REAL-SIZE DIMENSIONS



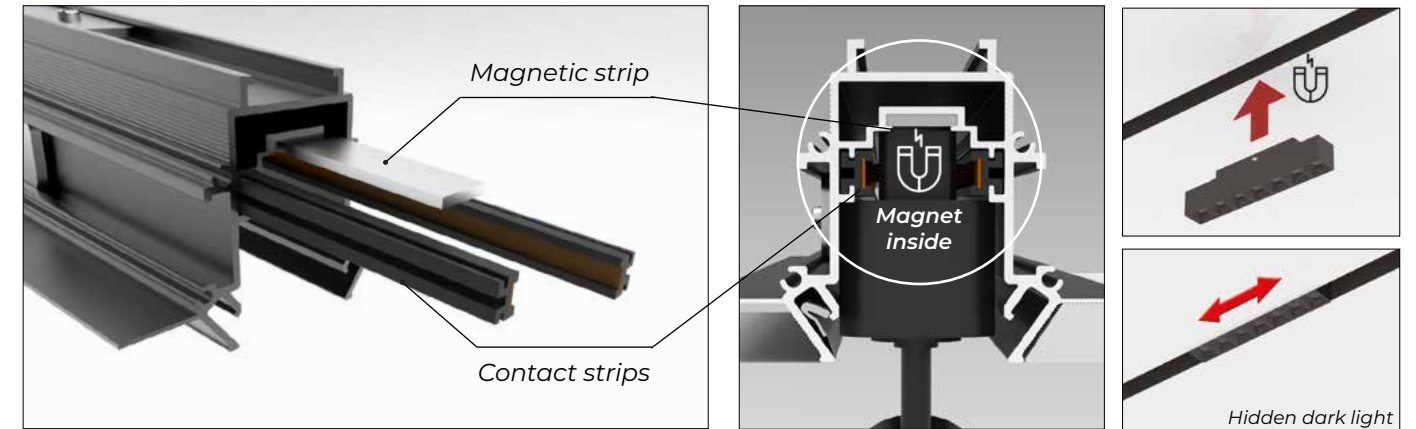
There are four screw grooves on the side of the profile structure, which make it easy to attach the end cover and create profile structures of different lengths according to customers wishes. The profile structure lower part includes recesses for fastening the stretch material harpoons and edges on both outer sides for fastening alternative ceiling materials.

VECTA EASY LIGHT SYSTEM



DESCRIPTION

The aluminum profile system is equipped with a metal strip and the bottoms of the lamps are equipped with magnets. Throughout the profile, there are electrically conductive contact strips on both sides of the profile, that allow changing the location of the lamps easily. To use visually different lamps, which may provide more warm or more cold light in the room, but also a lamp with more widely diffused light beams or lamps with a more narrow light beam - a convenient solution that is based on the specific needs the space or specific situation requires.

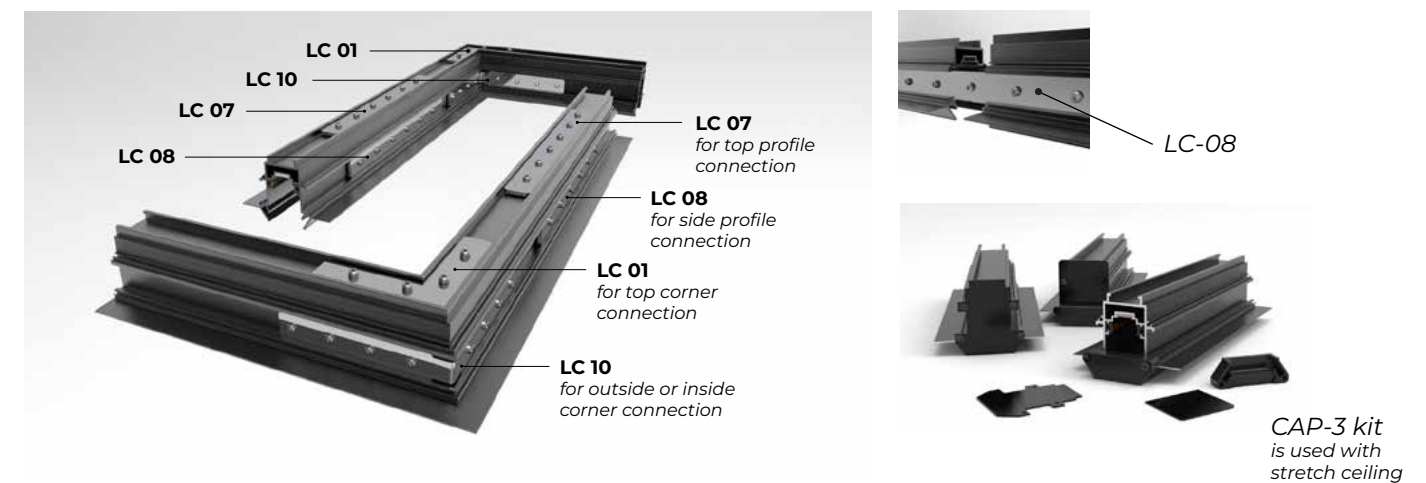


Creating new, attractive light effects in the space will be done simply within seconds and costly construction investments are past in case one would like to change the interior lighting.

There are two ways to change the location of the lamp:

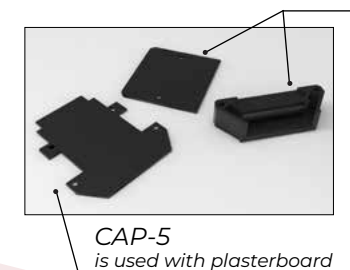
- slide the lamp along the profile or
- pull the lamp out and push it to the new position slightly

Profile AL35 is suitable to use in any room, no matter if the interior design is contemporary or more traditional looking. It will give also the possibility to combine different materials in the same room.



COMPACT ENDINGS

Easy Light profile ending CAP-3 makes it effortless for the professional to install stretch material. The straight back wall edge is more accessible and it makes attaching the harpoon more simple task. CAP-5 is used for plasterboard ceiling.



Vecta Design LTD

Pärlimõisa tee 20, Pärnu
80010 Estonia
Phone: +372-(44)-23-023
Fax: +372-(43)-70-339
info@vectadesign.com
www.vectadesign.com
skype: vecta-design



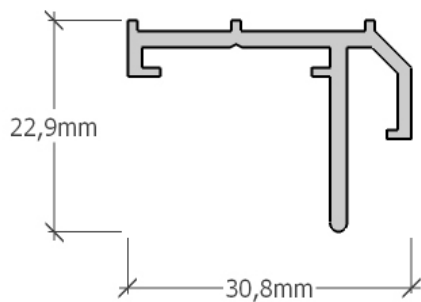
Used with MINI harpoon

NEW ALUMINIUM PROFILES AL-36-A AND 37-A

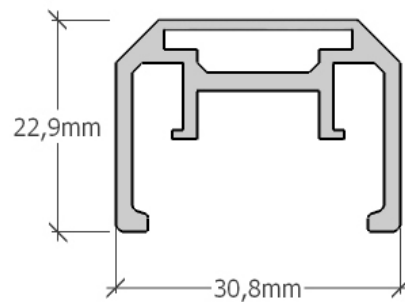
The eye-catching light design will create a suggestive atmosphere and will bring liveliness to any space.

The minimalist structure of this profile makes it a cost-effective and reasonable choice when a lightweight, yet durable aluminum profile is wanted, for creating beautiful and original light lines combined with a stretch ceiling connected with a mini harpoon.

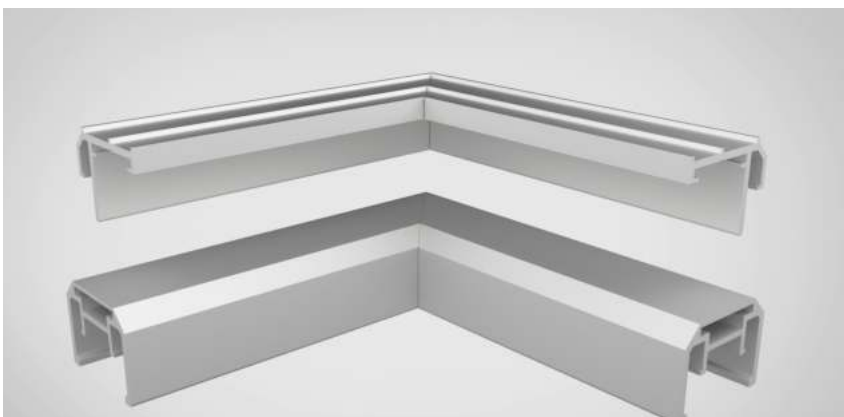
The design of this aluminum profile ensures the smooth and easy installation of the profile to the base ceiling or walls, despite the wall and ceiling connections may not always be straight, just as the base ceiling which is not always completely straight and there may be uneven height problems. By using this profile the installer can be sure that the result will be perfectly straight.



AL 36-A

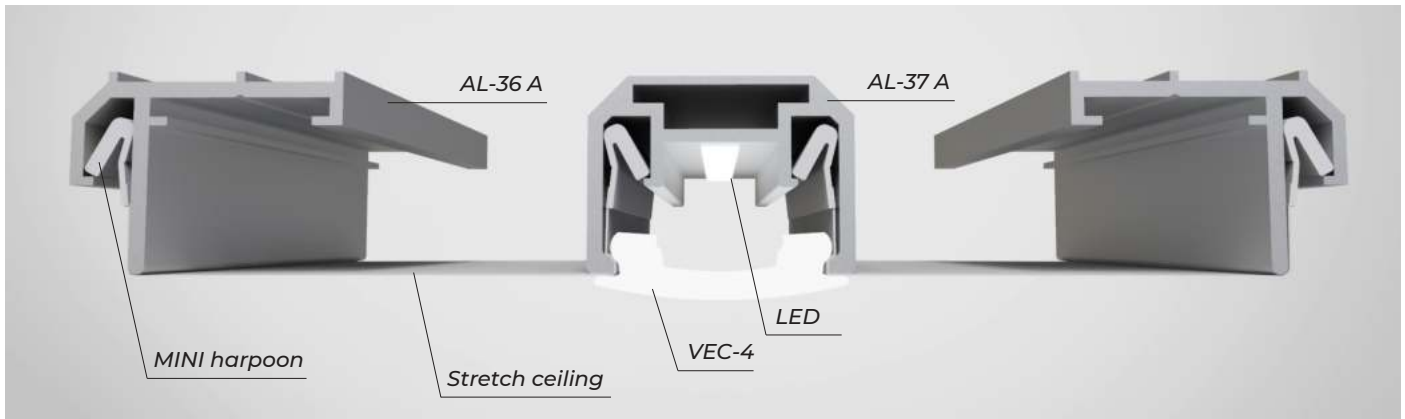


AL 37-A

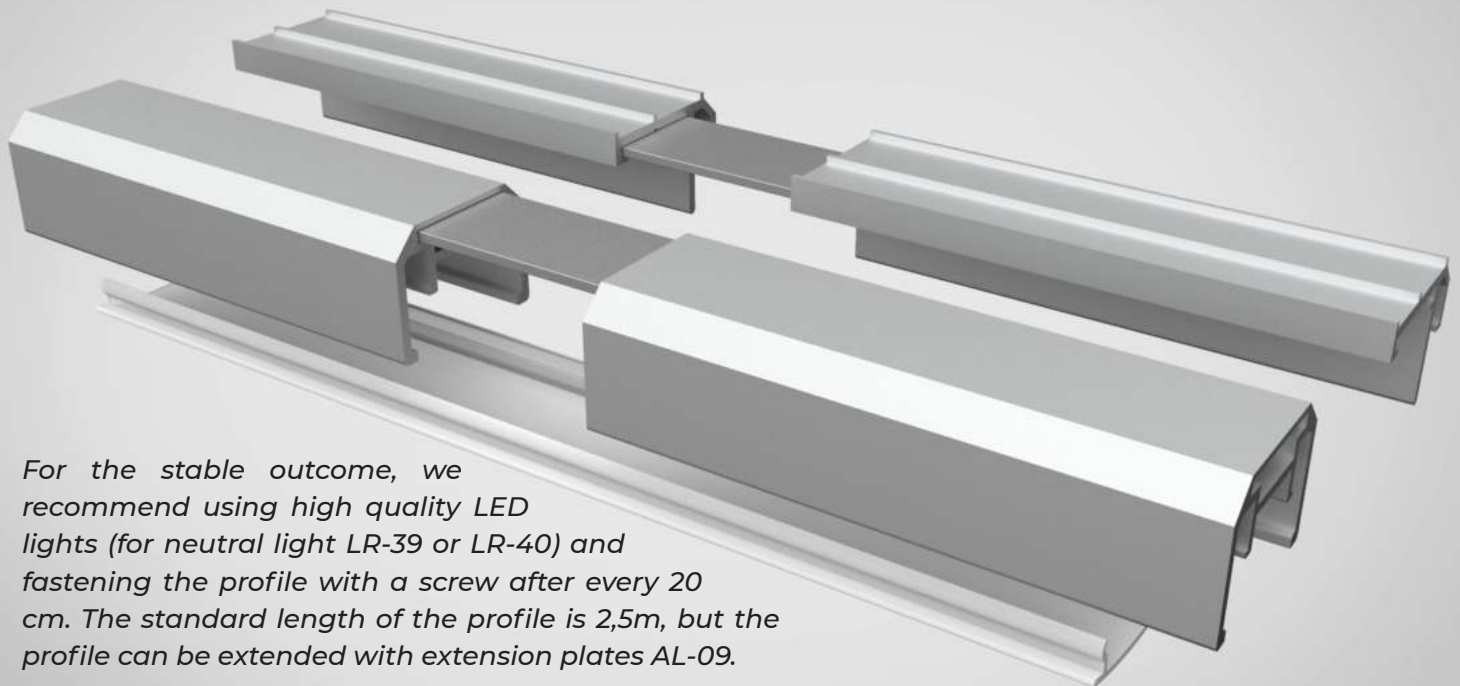
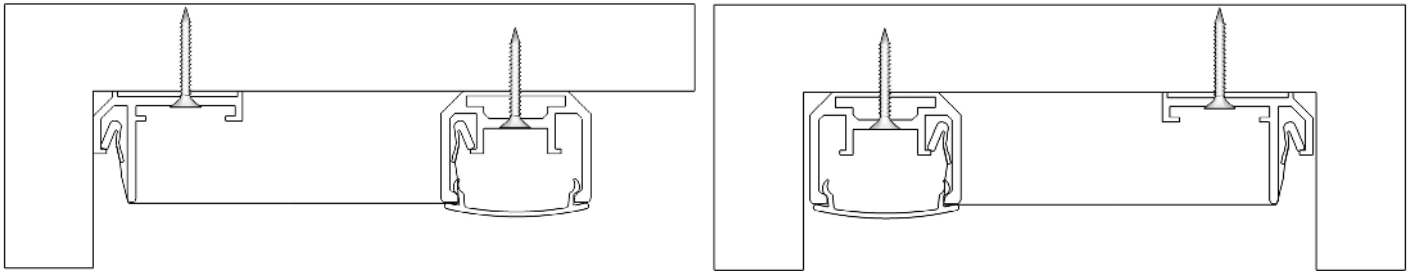


The profiles are anodized, which will make this product even more flexible as it is a suitable solution in high-humidity rooms like bathrooms, spas, and rooms with a pool in it. The profile is therefore resistant to corrosion and wear.

An additional advantage of this profile is the dimensions of the profile, which will ensure minimal height loss – only 3 cm from the base ceiling.



This profile is a practical choice in case one would like to create flawless and recessed light lines in the interior or create divided ceiling zones. It can be mounted to the ceiling or the walls. Original light lines created with this profile can be located either on the perimeter of the room or in the middle of the ceiling or walls. The end cap enables creating even more dynamic interior design solutions, patterns, or specific shapes.



For the stable outcome, we recommend using high quality LED lights (for neutral light LR-39 or LR-40) and fastening the profile with a screw after every 20 cm. The standard length of the profile is 2,5m, but the profile can be extended with extension plates AL-09.

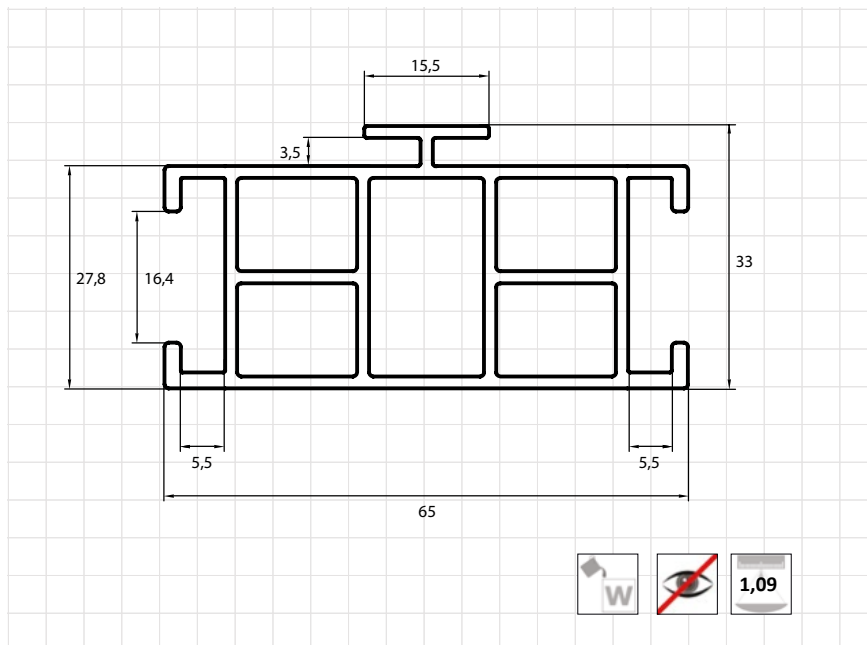
Vecta Design LTD

Pärlimõisa tee 20, Pärnu
80010 Estonia
Phone: +372-(44)-23-023
Fax: +372-(43)-70-339
info@vectadesign.com
www.vectadesign.com
skype: vecta-design

AL 38 Bridge

AL 38 Bridge - constructive aluminum profile for big modular constructions.

PROFILE REAL-SIZE DIMENSIONS

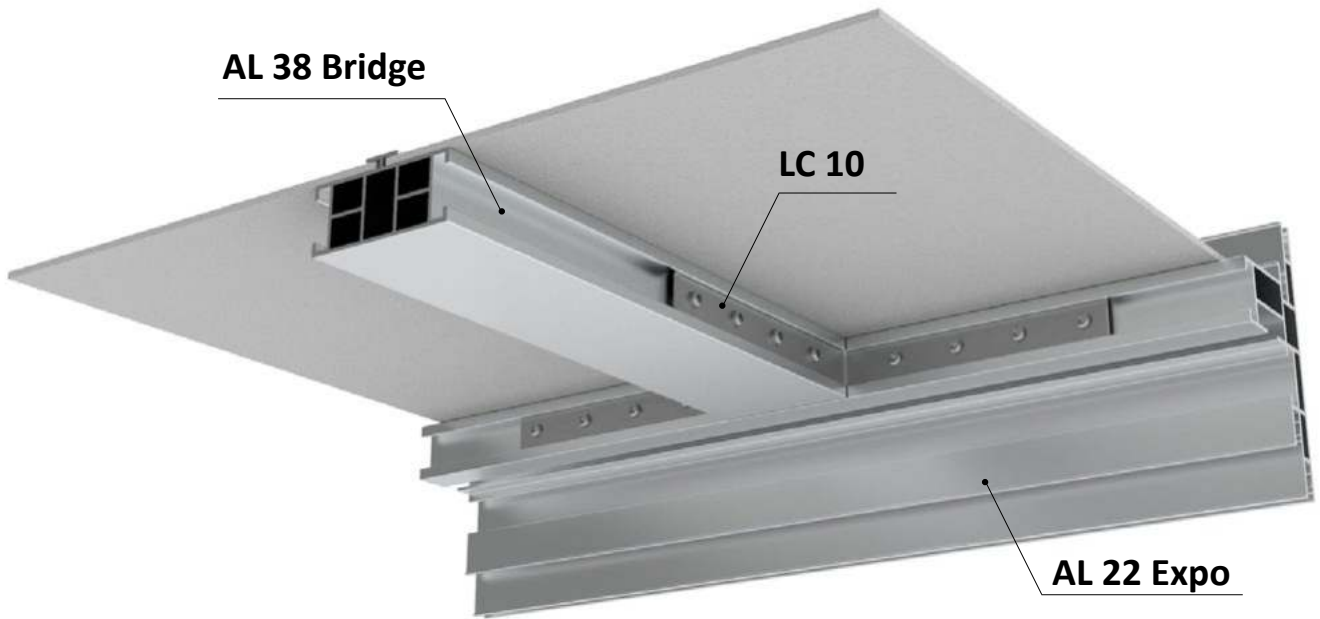


DISCRIPTION

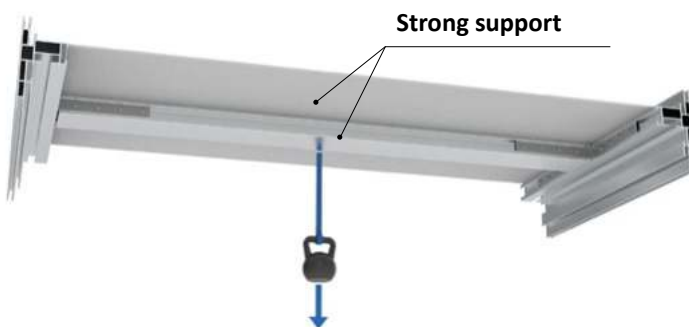
- The most important function of this profile is to protect the structure from deflection.
- It is used for supporting the base of 3 mm sheet alubond in large frames
- Recommended for use with Vecta profiles AL 22 Expo, AL 16 and AI 27
- This profile is convenient to install and easy to attach with the connection details LC 10 and LC 08

AL 38 Bridge has a specially designed structure that enhances its strength. It is used to protect the structure from deflection in future. A special groove on top with a height of 3,5 mm is designed for inserting 3 mm sheet material on the top of the structure (for example - alubond). The profile is strongly fixed with the corner connection detail LC 10 and LC 08 for length connection.

USING Bridge PROFILE

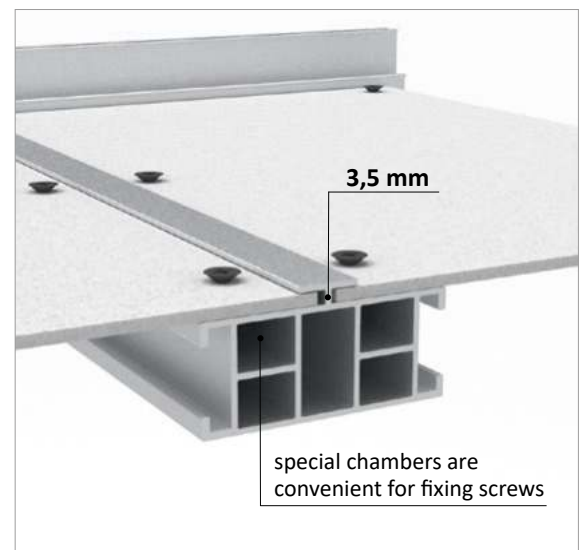


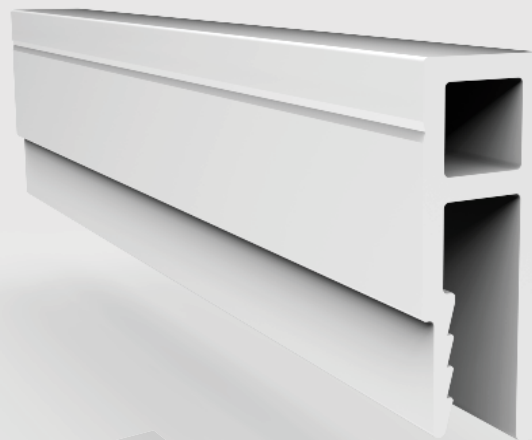
To evenly distribute the load on the structure, we recommend using a profile every 2 meters



MAIN FEATURES

- Details for connection - LC 08, LC 10
- Recommended thickness of used aluminium sheet Alubond - 3 mm
- Used with AL 22 Expo, AL 16 and AL 27

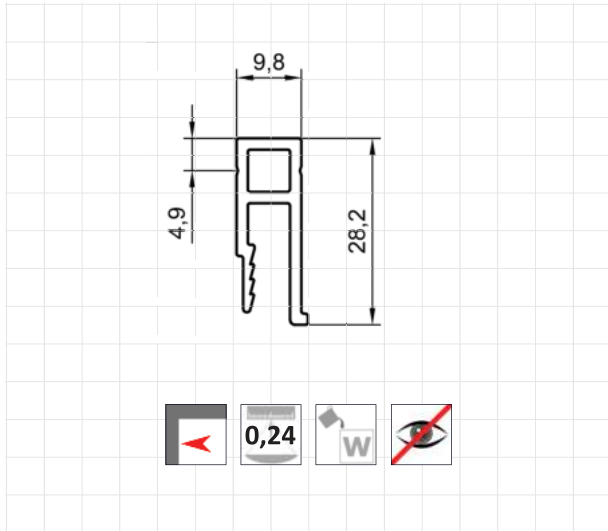




PC 01

PVC wall profile used with decoration strip

PROFILE REAL-SIZE DIMENSIONS



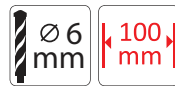
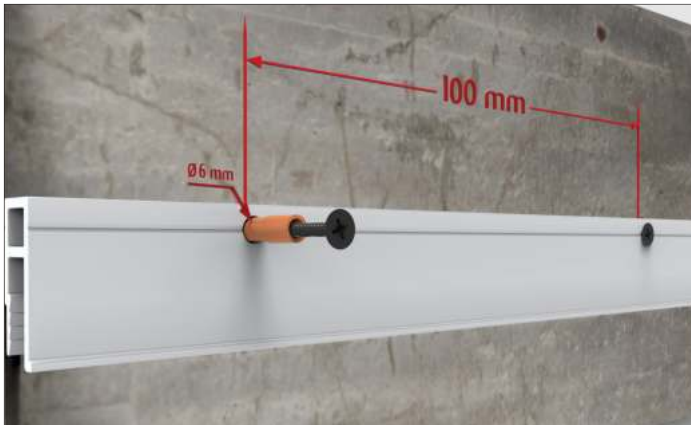
DESCRIPTION

Profile is used with decoration strip for installing stretch ceilings only to the wall. Recommended area for installation of the stretch ceiling with this profile is up to 20-25 m². Suitable for fastening to the curved horizontal constructions. Using the decoration strip highlights the defects and irregularities of the wall.

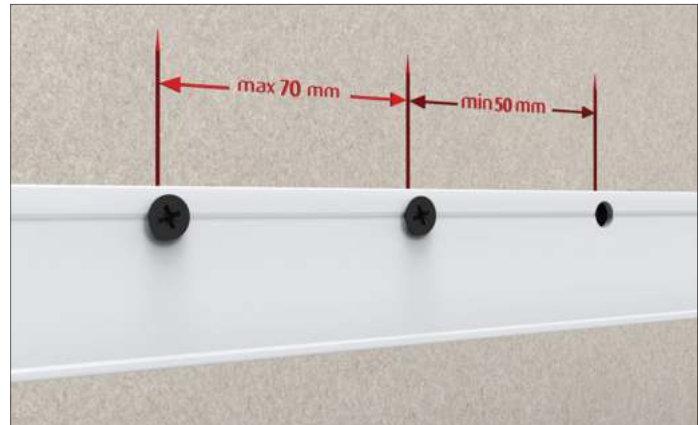
By using PVC profiles the stretch ceilings can not be reinstalled unlike with aluminum profiles. PVC profile can bend by opening the stretch ceilings harpoon lock and the PVC profile should be replaced after opening the stretch ceiling. By using aluminum profiles the stretch ceilings can be opened and reinstalled by stretch ceilings installers as many times as needed.



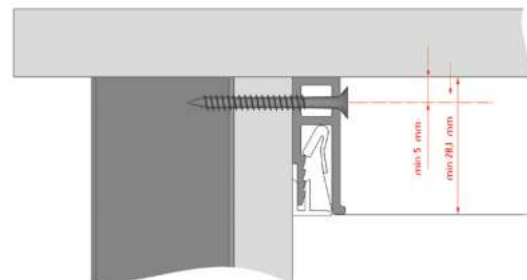
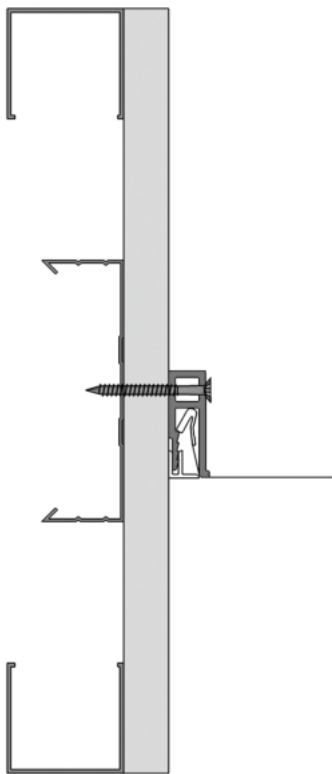
Fastening the profile to the solid surface (concrete)



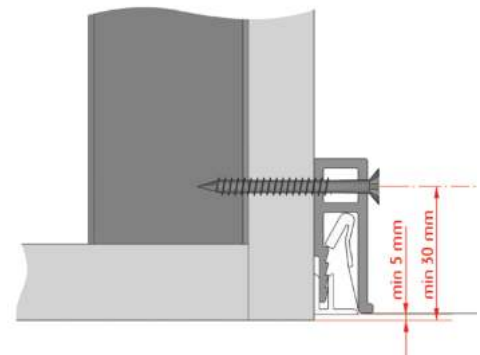
Fastening the profile to the soft surface (plasterboard)



FASTENING THE PROFILE TO THE METAL FRAMEWORK AND PLASTERBOARD

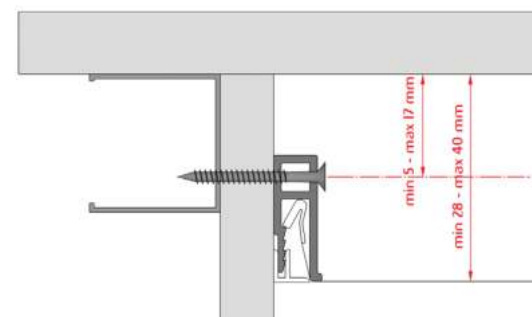


Cross-section of fastening the profile

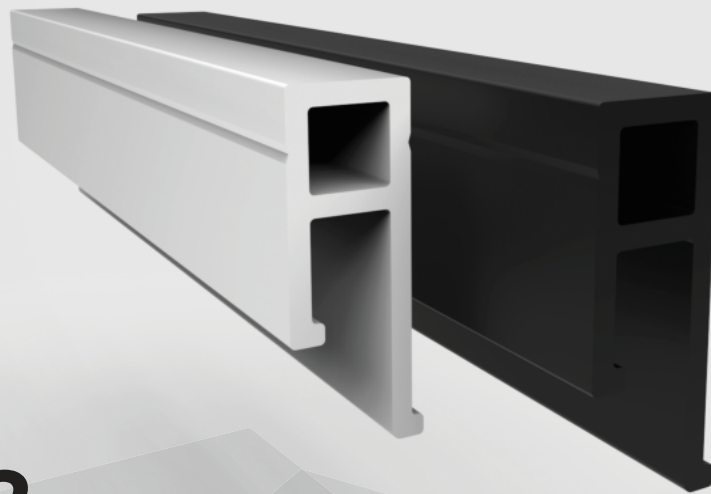


In case of fixing the profile to the edge, the height of the decoration strip should be considered. Minimal space between the edge and the axle of fixation – 30 mm

Installation to the hollow plasterboard construction without reinforcement



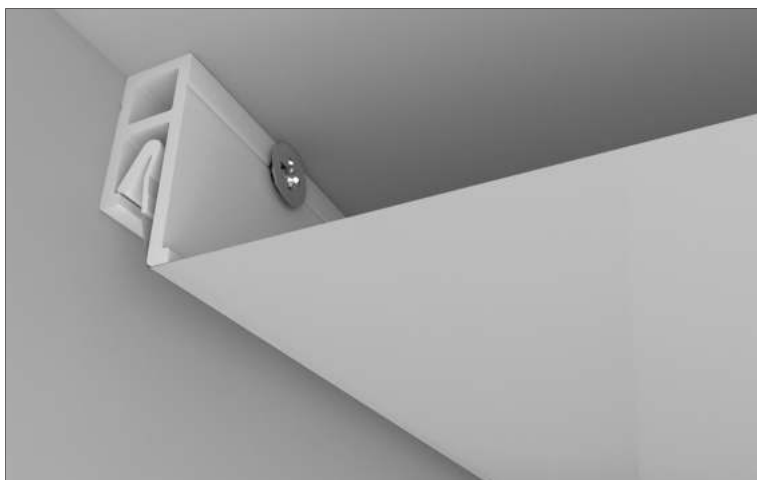
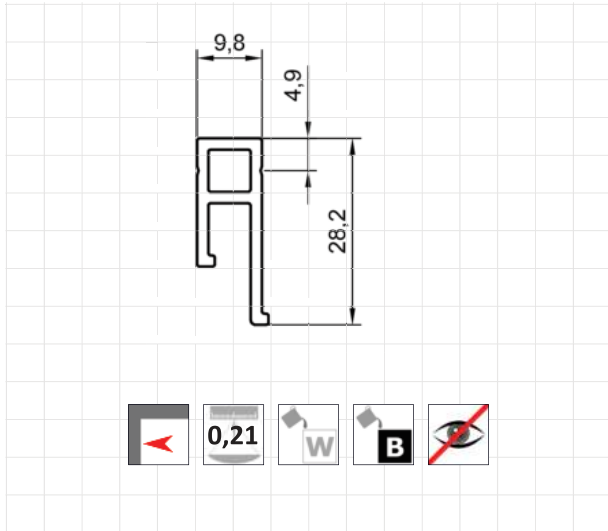
Cross-section of fastening the profile



PC 02

PVC wall profile used with decoration strip

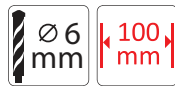
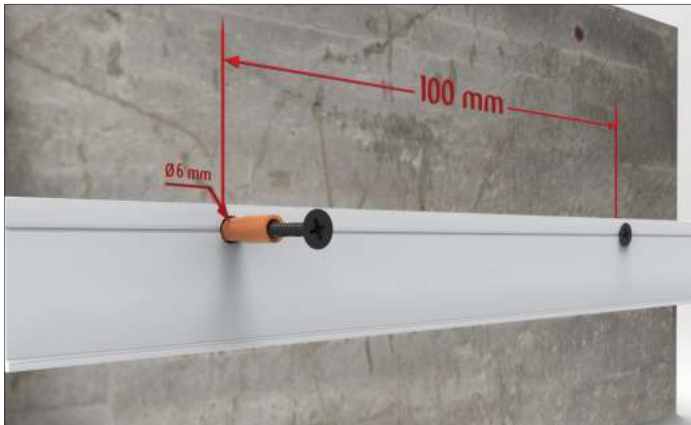
PROFILE REAL-SIZE DIMENSIONS



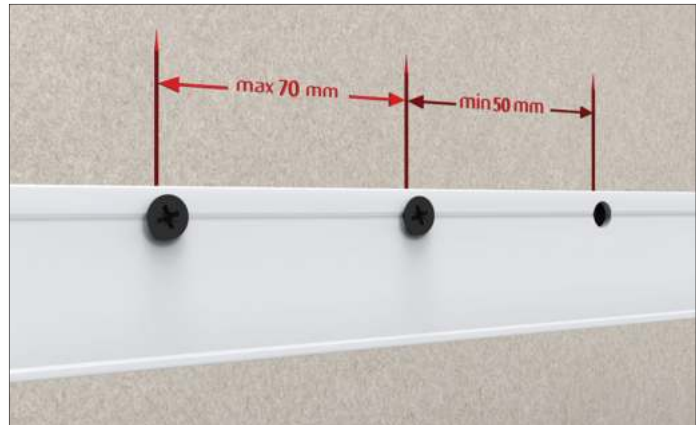
DESCRIPTION

Profile is used without decoration strip for installing stretch ceilings only to the wall, creating the impression of the ceiling floating in the air. Recommended area for installation with this profile is up to 20-25 m². Suitable for fastening to the curved surfaces. This profile visually reduces the defects and irregularities of the walls by 1-2,5 mm. The ceiling benefits from extremely pure lines, without visible tracks. It can be used for all designs, even the most imaginative. By using PVC profiles the stretch ceilings can not be reinstalled unlike with aluminum profiles. PVC profile can bend by opening the stretch ceilings harpoon lock and the PVC profile should be replaced after opening the stretch ceiling. By using aluminum profiles the stretch ceilings can be opened and reinstalled by stretch ceilings installers as many times as needed.

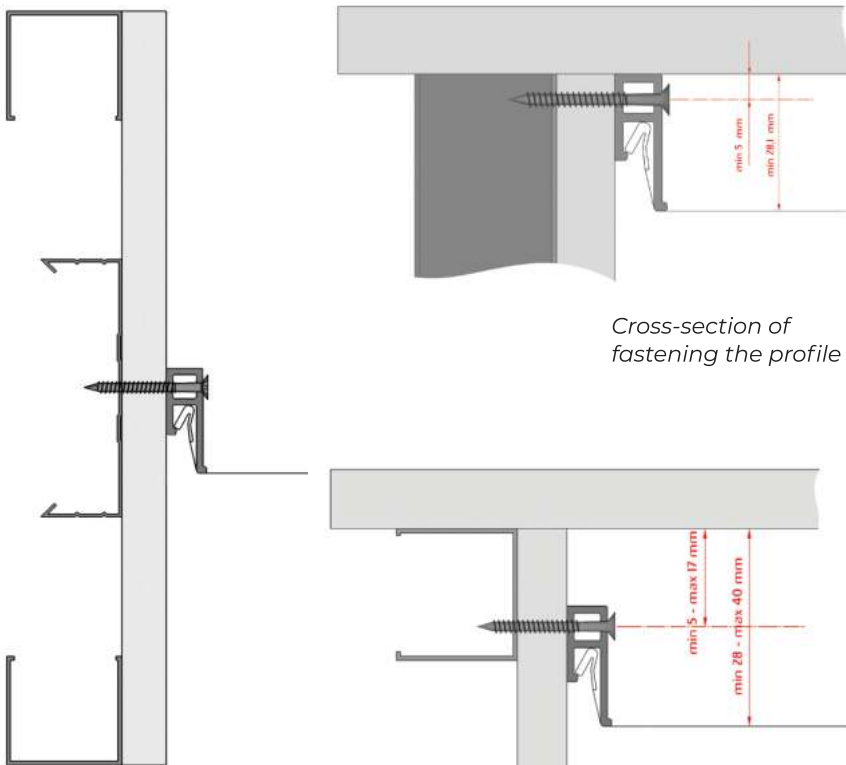
Fastening the profile to the solid surface (concrete)



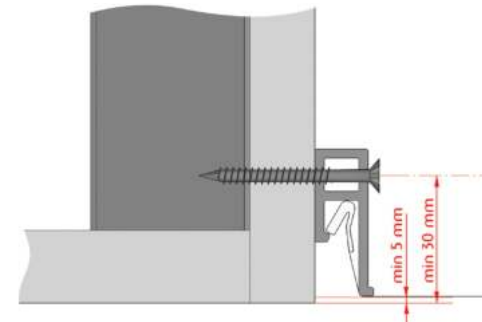
Fastening the profile to the soft surface (plasterboard)



FASTENING THE PROFILE TO THE METAL FRAMEWORK AND PLASTERBOARD



Cross-section of fastening the profile



In case of fixing the profile to the edge, the height of the decoration strip should be considered. Minimal space between the edge and the axle of fixation – 30 mm

Installation to the hollow plasterboard construction without reinforcement

Cross-section of fastening the profile

INNOVATION MADE **VISIBLE**

TECHNICAL CATALOGUE



 +372 44 23 023

 +372 53 00 2424

 info@vectadesign.com

 www.vectadesign.com



Pärlimõisa tee 20,
Pärnu, Estonia, 80010