

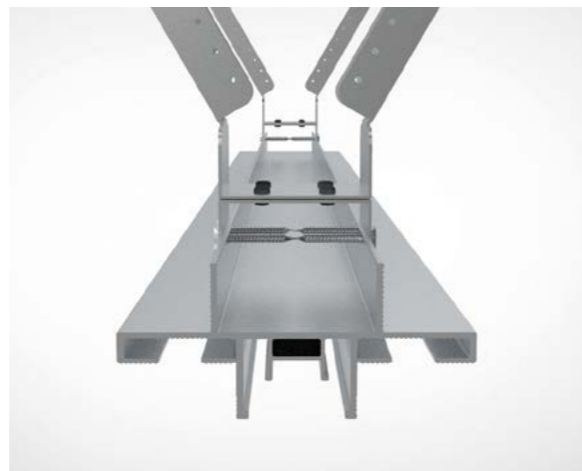
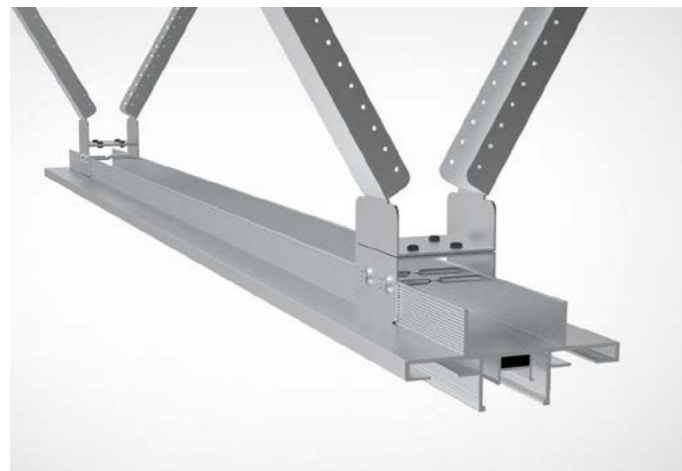
VECTA SUPPORT SYSTEM

Mounting profile to the ceiling using vecta support system



Material - galvanized steel. Stainless steel and other dimensions by request.

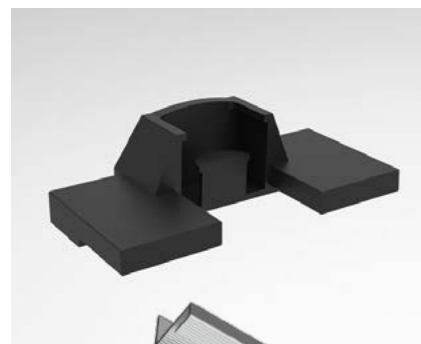
NB! We recommend to fix ceiling supports every 50-80 cm



CS23/10 - for the height 100-200 mm from the base ceiling
CS23/30 - for the height 300-400 mm from the base ceiling
CS23/50 - for the height 500-800 mm from the base ceiling



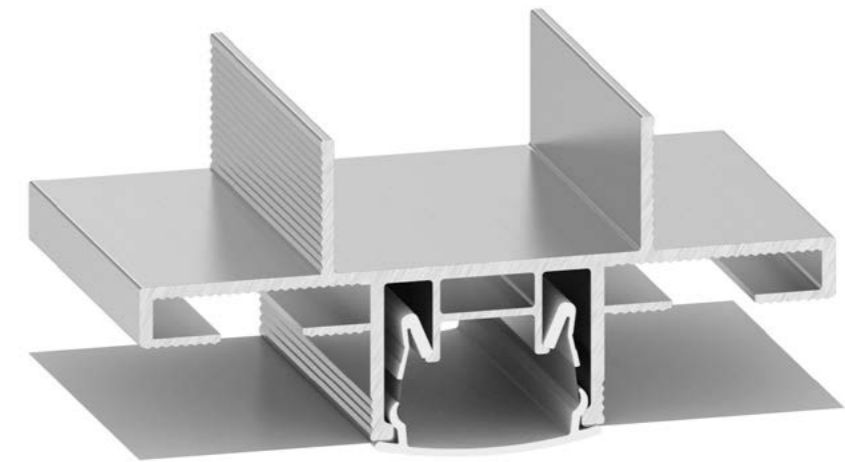
Support length locker SLL-01



PROFILE ENDING - CAP 23

The ending CAP 23 enables to have more variations in design. With CAP 23 the lighting lines can end in the middle of the stretch ceiling or gypsum board enabling to create modern lighting solutions.

Important: When making a ceiling drawing with AL 23 + CAP 23 in the middle of the ceiling, please take notice that the AL 23 + CAP 23 must be 4 cm shorter on the drawing than the actual profile with CAP 23 length. Otherwise, you will have too much harpoon on the actual ceiling. For example, the AL 23 + CAP 23 is 340cm, then on the drawing it should be written 236 cm. Before installing ceiling the CAP 23 must be fastened to the profile with screws. The ceiling installation always starts at CAP 23.



AL 23 Combi Light

Aluminium profile for creating thin lines of light. Allows you to create bright, diffused lines of light in any part of the ceiling, and can combine stretch ceiling and plasterboard in one structure. The lines of light can be continuous, parallel, intersecting at right angles or ending at any point on the interior plane with the help of specially designed CAP-endings.

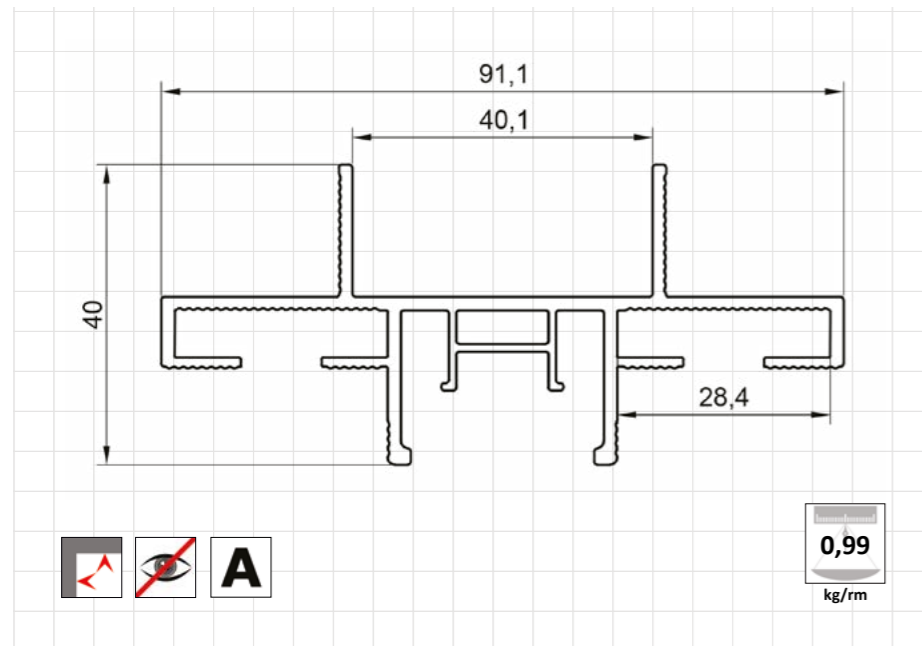
PROFILE FEATURES

- Used with **Classic harpoon**
- Used for creating light lines
- Light source - LED strip
- Bendable vertically
- Used with light diffuser B/W
- Height loss min 40 mm
- Also works as a separator
- Recessed in the ceiling
- Suitable for use with Vecta support system
- Hidden from view

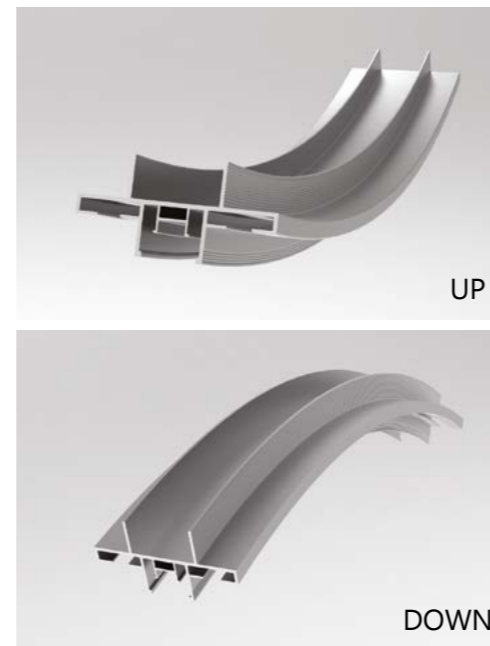
SENSATIONAL OBJECTS DONE WITH THIS PROFILE



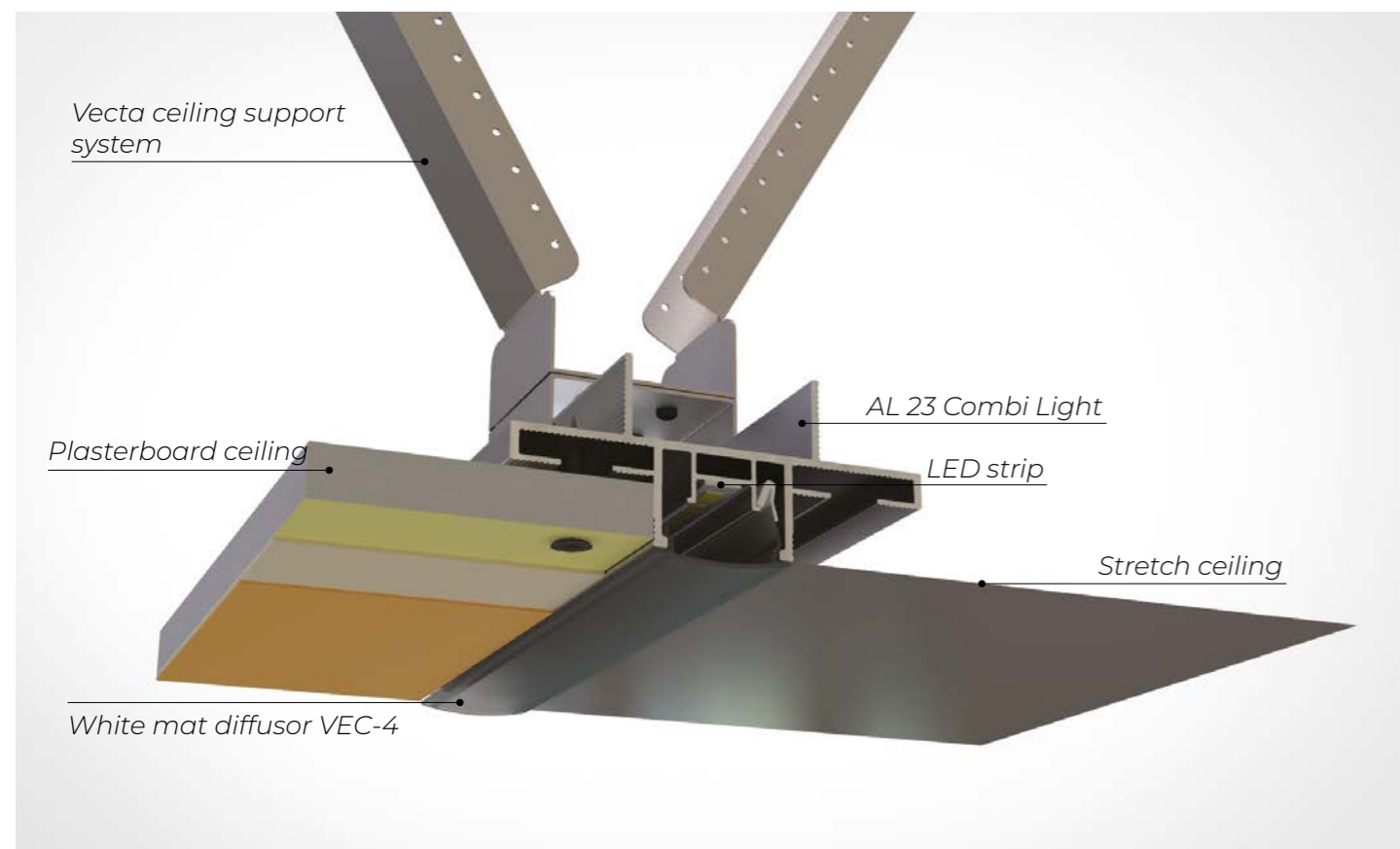
PROFILE REAL-SIZE DIMENSIONS



ABILITY TO BEND



MOUNTING STRUCTURE



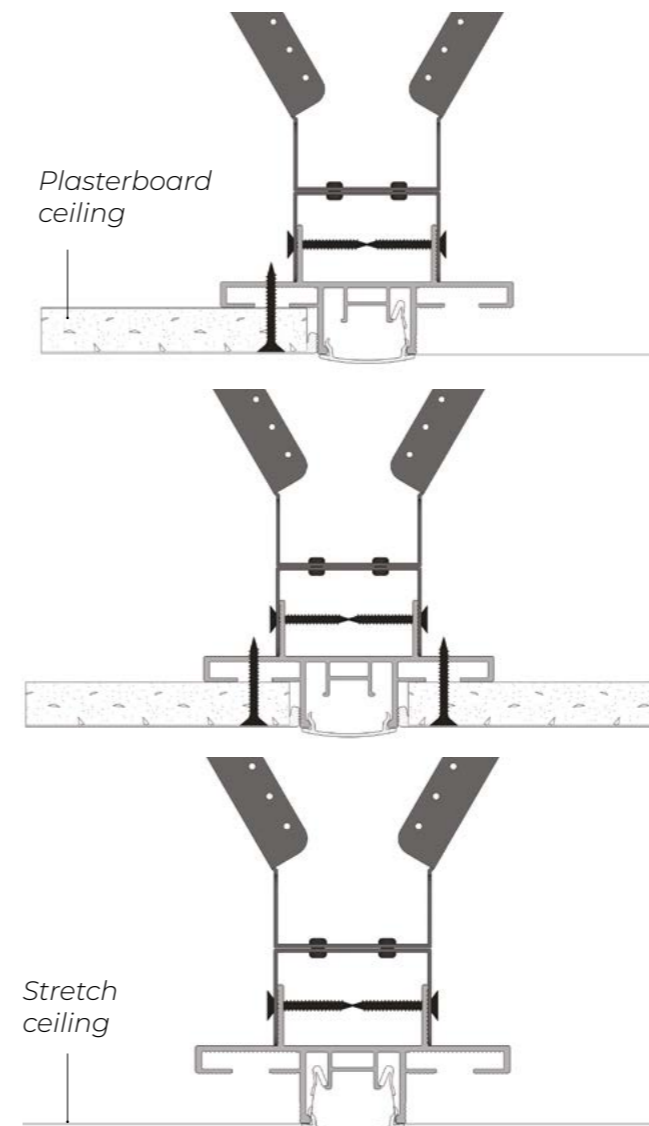
DESCRIPTION

AL 23 COMBI LIGHT was developed to enable integration of the KEY LIGHT system into gypsum board ceilings. The COMBI LIGHT profile is multifunctional, as it can be used to combine gypsum board and stretch ceiling material in one room. For all installations, the COMBI LIGHT system enables the creation of interior design accents with continuous light lines. Alternative LED strips are available to provide cold or neutral light (LR-39 or LR-40) and the installation is completed by the VEC-4 diffuser. Standard profile length 2,5m, special order 5m long profile. The profile is comfortable and easy to install when using Vecta Support System and the result is durable and stable.

When used with plasterboard - the plaster should be 12mm or 12.5mm thick, then you can hide the screws with plaster putty and paint the surface.

If the profile is used as a ceiling separator, it is strongly recommended that the ceilings are ordered at the same time, as there may be a difference in colour between different rolls of film if the order is delayed. Multiple ceilings in the same room must be ordered together.

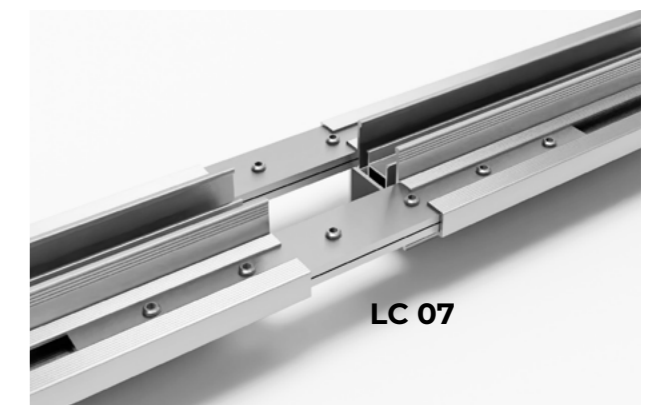
APPLICATION OPTIONS



PROFILE CONNECTORS



LC 01 for corners:
4 plates (2 plates / 1 slot) + 8 bolts



LC 07 for extension:
4 plates (2 plates / 1 slot) + 8 bolts