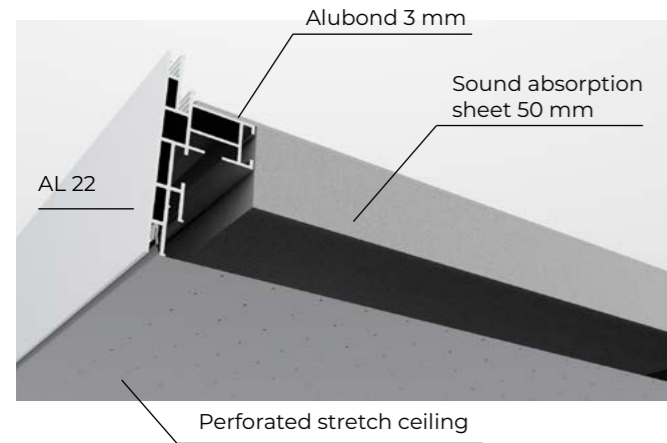
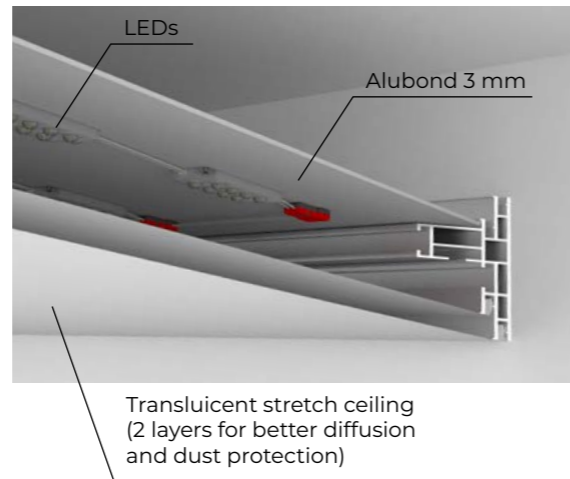


ACOUSTIC PANEL

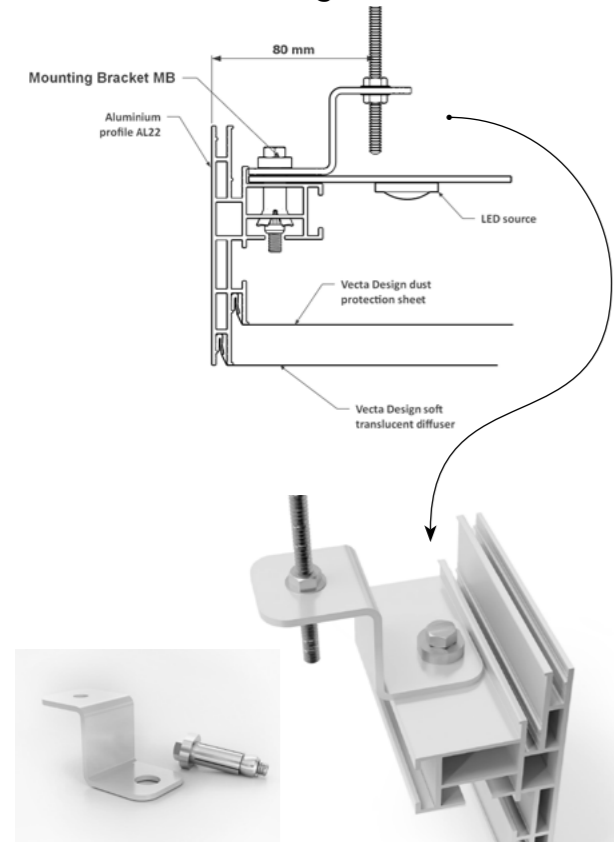


BACKLIT PANEL

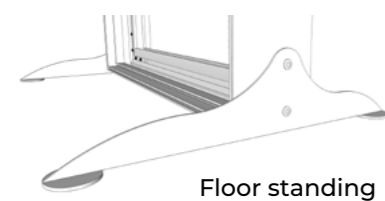


MOUNTING TO THE BASE CEILING

Threaded Rod mounting

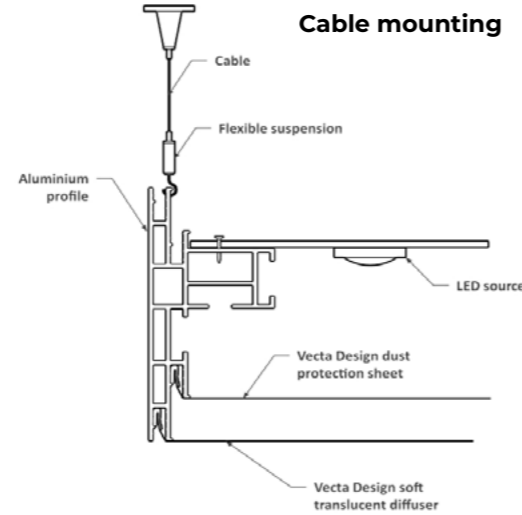


Suspension with Mounting Bracket **MB**



Floor standing

Cable mounting



Vecta support system



AL 22 EXPO

Used with EXPO or MINI harpoon



Create eye-catching light elements, design lamps and light modules that add value to the interior design and have both qualities – practical and aesthetic in one product represented.

THE ADVANTAGES OF AL 22 EXPO PROFILE

- Functional modular profile for creating light frames, wall modules and custom made lamps
- Design elements created with this profile can be installed or mounted in 3 different ways: 1) directly to the ceiling, 2) hanging with metal ropes from the ceiling, 3) movable floor stands
- The profile is suitable for creating lighting solutions of different shapes with curved edges
- Can be combined with acoustic stretch material and sound absorption sheet

SENSATIONAL OBJECTS DONE WITH THIS PROFILE

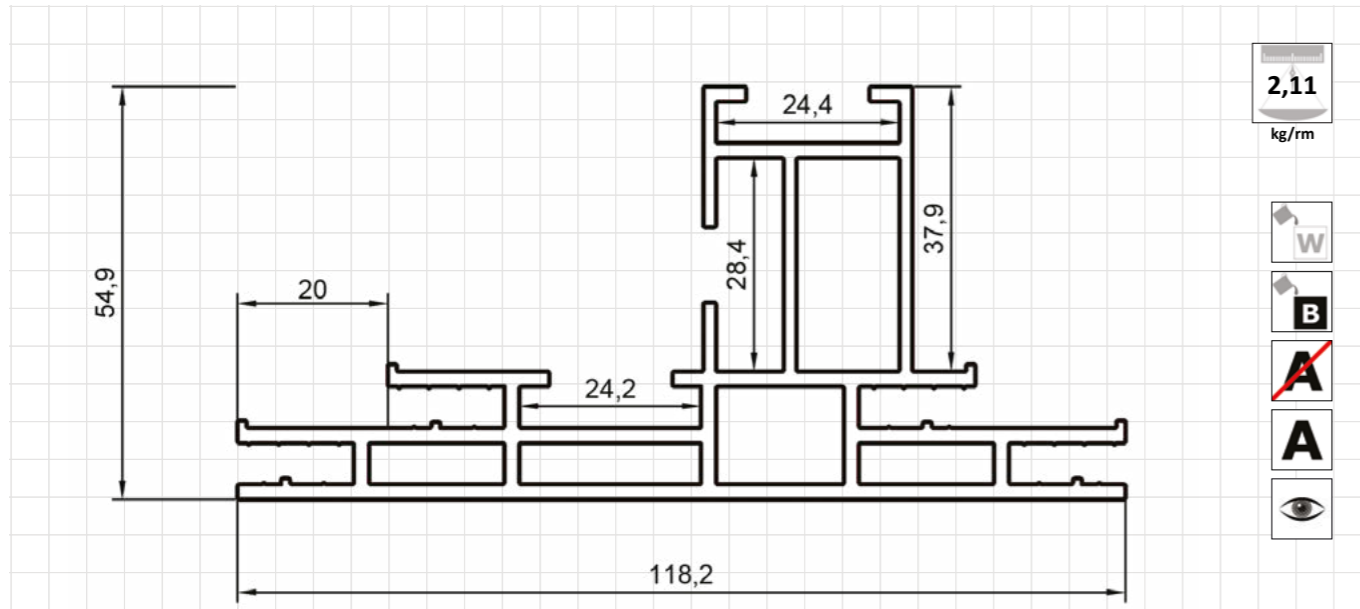


Athens Airport
Greece / Athens
Installer: Apollon Design



Paks Margareeta
Estonia / Tallinn
Installer: Vecta Design

PROFILE REAL-SIZE DIMENSIONS



LIGHT FRAMES



ABILITY TO BEND PROFILE



We also offer an optimal lighting calculation, for which it is important to know the height and diameter of the desired light element (lamp), the material used, whether the material is covered by the print solution or not, and the desired light effect (warm or cold light).



DESCRIPTION

VECTA EXPO is a modular system made of profile AL 22, that enables creating frames covered with stretch ceiling material. Used with special fastenings the modules can be attached or hung directly on the ceiling and the modules can also be placed on the floor, when special floor standing elements are attached. To create the modular lights, LED lighting elements can be easily installed.

VECTA EXPO panels can be used as illuminated or acoustic partition walls, step, and repeat banner, exhibition or information stands and, by design, can be used for other applications that may be specified by clients. The profile has the unique capability of enabling the installation of stretch materials fitted with MINI harpoon or the new Easy Access system. Standard profile length 2,5 m, special order 5m long profile.

Smallest angle for AL 22 A profile can be 45 degrees. Easy corner fixing with LC01. Stretch ceilings are made with small reduction using this profile.



LC 01 (width - 28 mm)

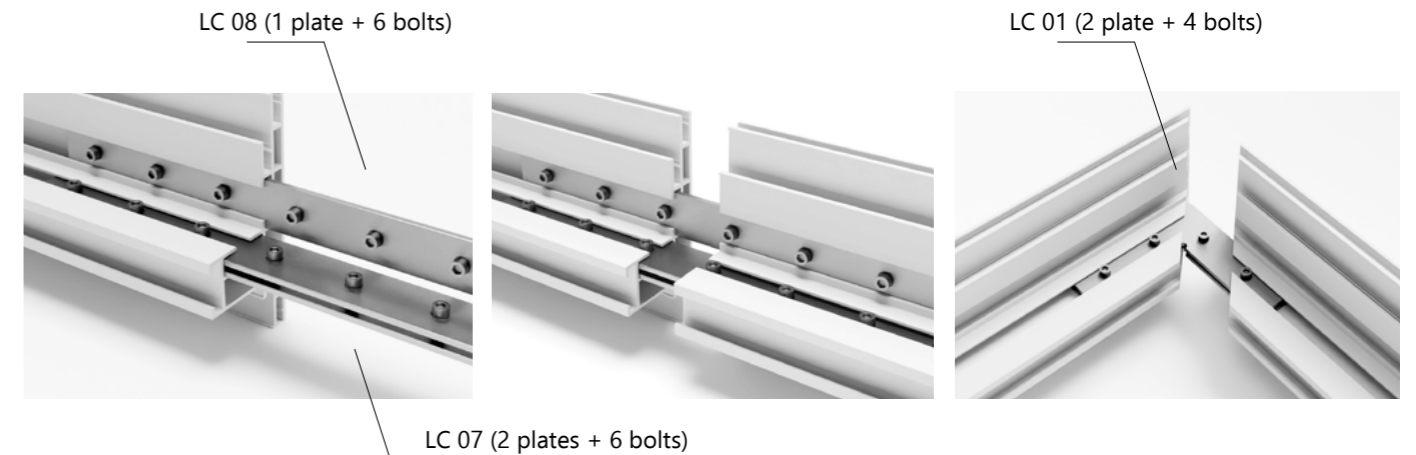


LC 07 (width - 28 mm)



LC 08 (width - 24 mm)

Profile connectors



Colors and finishes

