

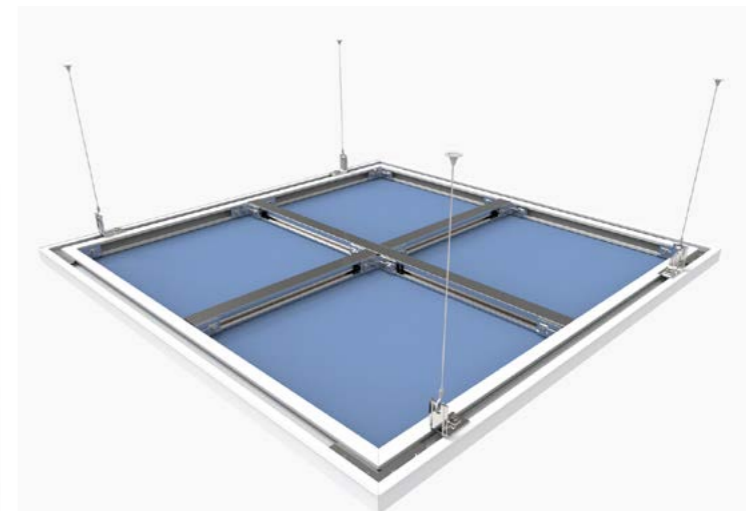


## AL 16 + AL 17 Double

Functional aluminum profile AL 17 Double is used in conjunction with AL 16 W for creating thin reliable panels (mostly mirror panels) and complex architectural 3D shapes. The panels are very thin (32 mm) but strong. Thanks to the reinforcement of the AL 17 Double profile, it is possible to produce panels of large dimensions.

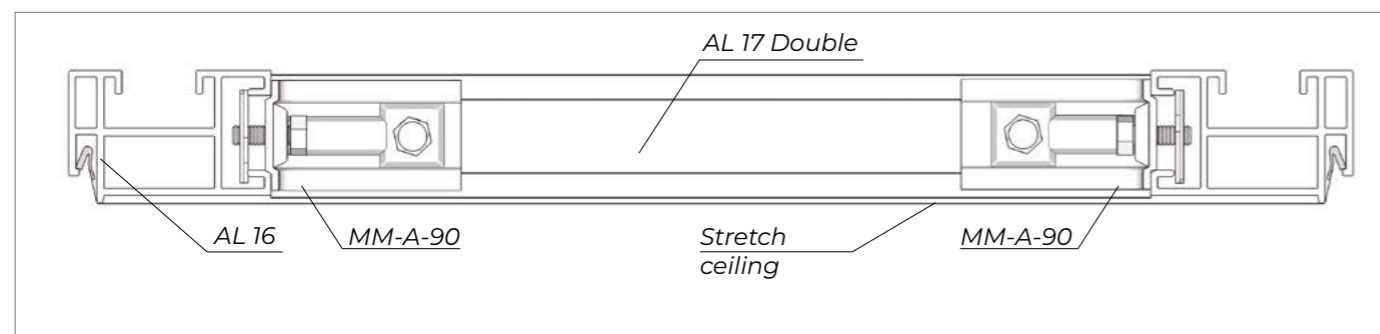
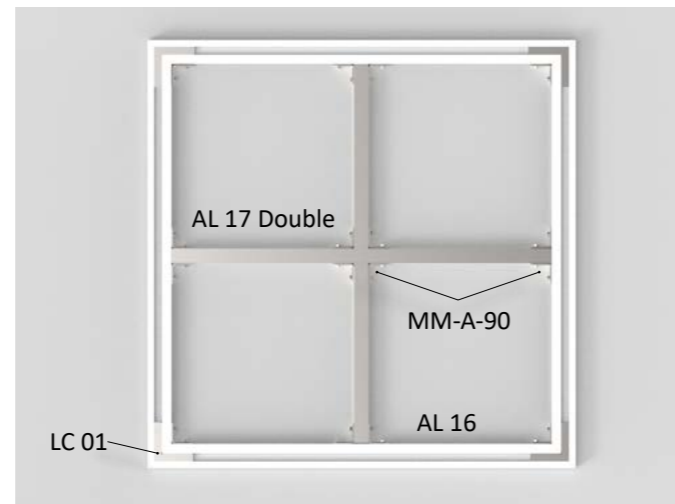
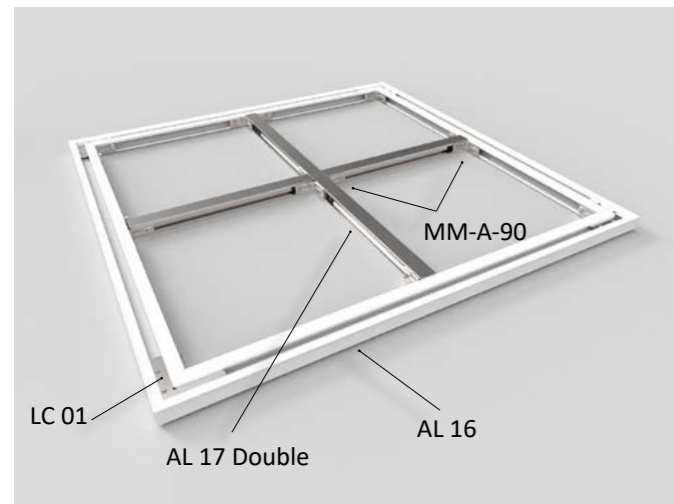
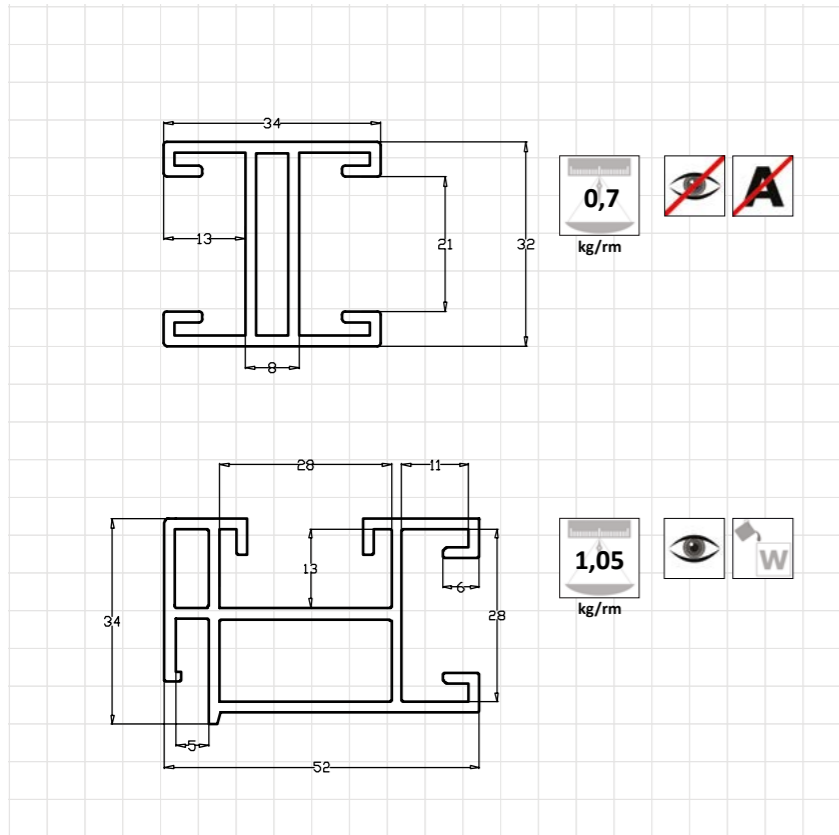
### ADVANTAGES

- Reinforcing large structures prevents AL 16 frames from twisting
- For creating support frames and 3D forms
- AL 17 Double in conjunction with AL 16 W used for creating mirror panels
- Easy to install and simple to fix with special connection parts - **easy fix&click MM connectors**





**PROFILE REAL-SIZE DIMENSIONS**

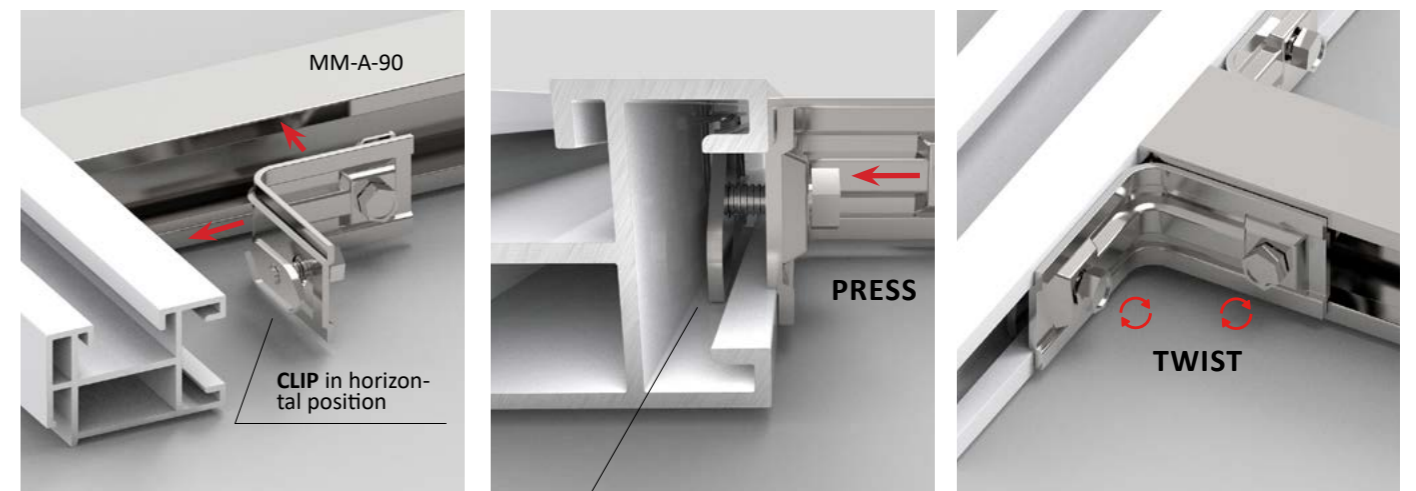


**DESCRIPTION**

AL 17 Double is used to reinforce AL 16 profile constructions to create reliable panels and 3D shapes. The special shape of the profile facilitates the assembly of structures due to its special design and convenient fastening system - **easy-fix&click MM connectors**.

In some projects, it is sometimes necessary to hide communication systems - power cables, ventilation ducts and other communications - behind the ceiling. The AL16+AL17 Double is a quick solution to this problem. The structure is assembled around the utilities in the form of a box and covered with a stretch ceiling. It is also easy to add guides and reinforcement lines to the already finished frame due to the ease of attachment.

**CONNECTION INSTRUCTION**



**INSTAL IN THE CORNER**

When pressed, **CLIP** will take diagonal position

**CONNECTION VARIANTS**



Variants of connectors for modular profiles:

- Connection **MM-S**
- Connection **MM-ST**
- Corner connection **MM-AH-90**
- Corner connection **MM-A-90**

