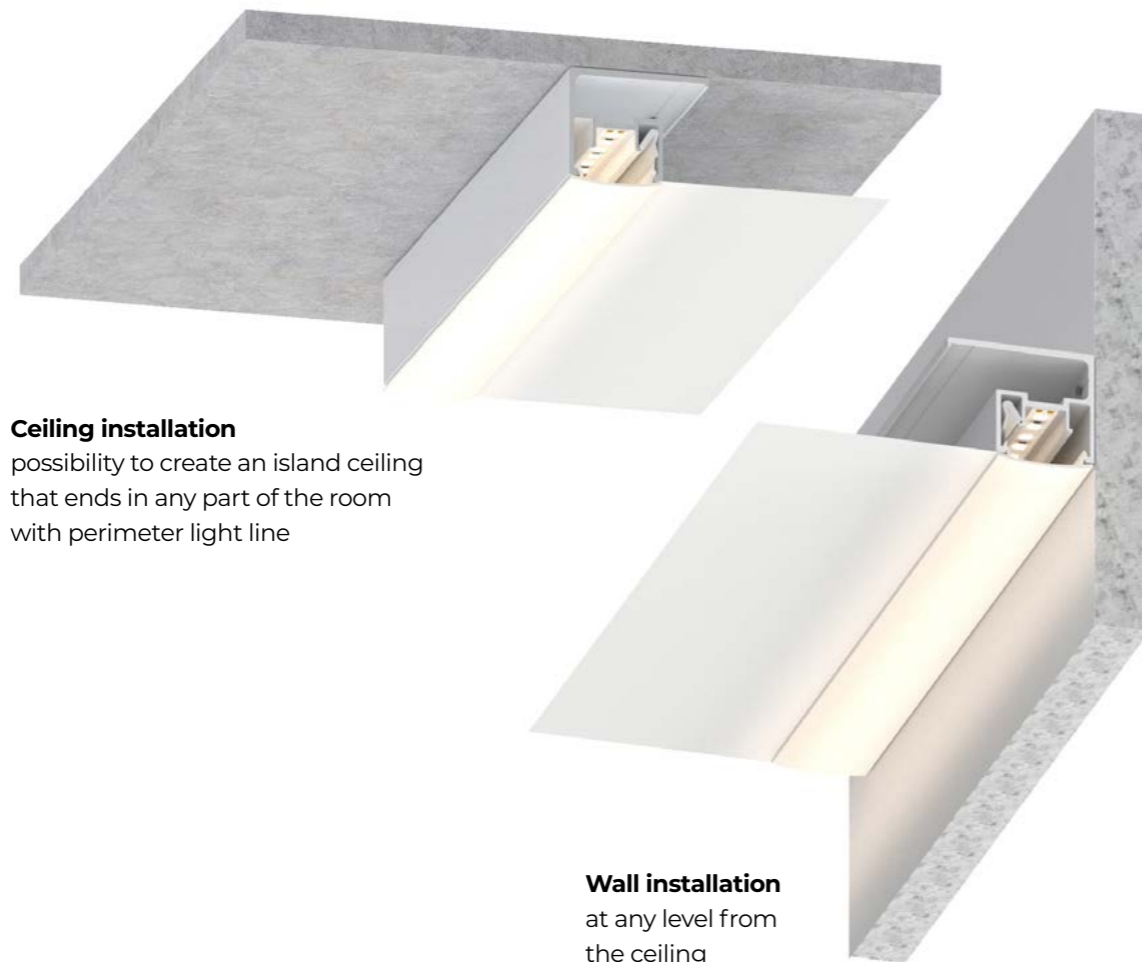


LIGHT LINE IN ANY PLACE



Ceiling installation

possibility to create a light line in any part of the ceiling, the profile acts as a separator



Ceiling installation

possibility to create an island ceiling that ends in any part of the room with perimeter light line

Wall installation
at any level from the ceiling



AL 42 A Crown Light

Enhanced functional lighting profile that can be mounted on both the ceiling and the walls to create a perfectly diffused contour line of perimeter lighting. This profile can also be used as a separator and can be combined with other Vecta basic profiles (AL 04 or AL 05) to create light lines in any part of the ceiling. The VEC 4 light diffuser distributes the light from the LED strips evenly and homogeneously.

ADVANTAGES

- AL 42 Crown Light is a improved and stronger version of AL 20
- It is versatile and can be installed anywhere in the ceiling or on the wall
- Is used with VEC 4 diffuser
- Has a recessed spot for the LED strip, which makes the light more diffused and eliminates shadows
- Acts as a separator
- The light line can end anywhere on the plane

OBJECTS DONE WITH THIS PROFILE

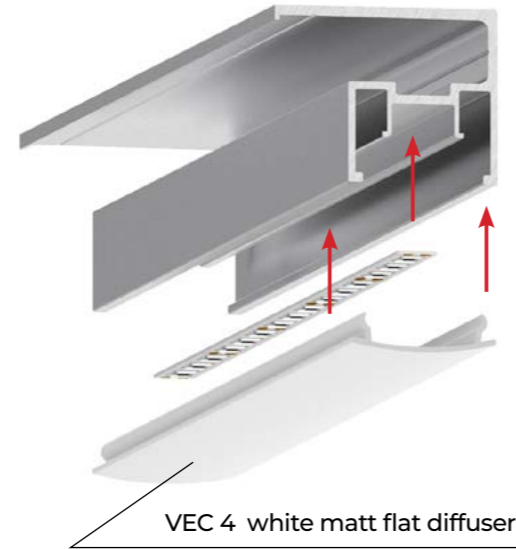
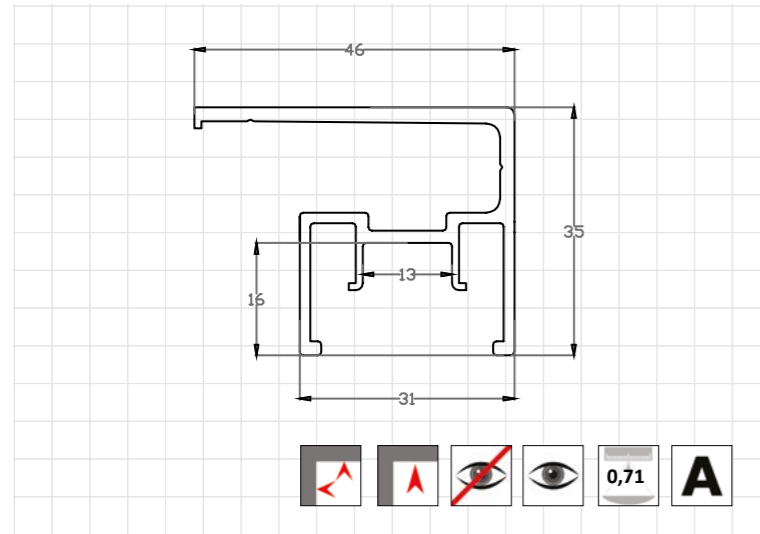


Commercial Pan'e Dolci bakery
USA (Florida) / Miami
Installer: Khrome Concepts Inc.



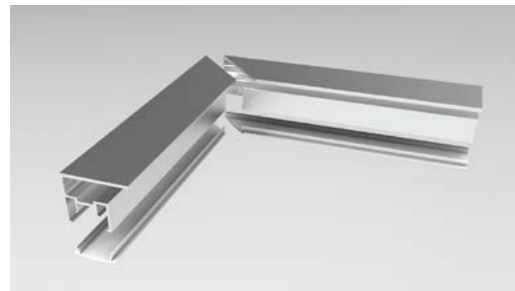
Vecta Design office
Estonia / Pärnu
Installer: Vecta Design

PROFILE REAL-SIZE DIMENSIONS



DESCRIPTION

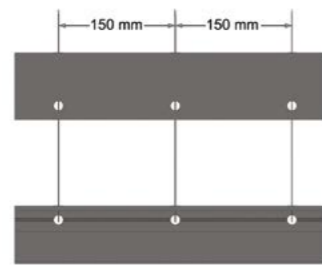
AL 42 A aluminum profile CROWN LIGHT system can be fixed on the walls or on the ceilings for creating perfectly straight cornice lighting around the perimeter of the room or any other built in design element. The most evenly scattered light will appear when using LED lights LR 57. For creating corners (for example at an angle of 90 degrees) the profile needs to be cut in precise angle of 45 degrees in Vecta Design factory.



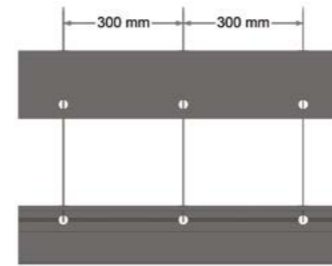
Creating corners with this profile means that the profile will be cut in precisely 45-degree angle in our production factory.

FIXING PROFILE

Recommended screw fixing centers for the AL-42 profile are 300 mm for concrete surfaces and 150 mm for gypsum boards. Drill size – 6mm diameter.

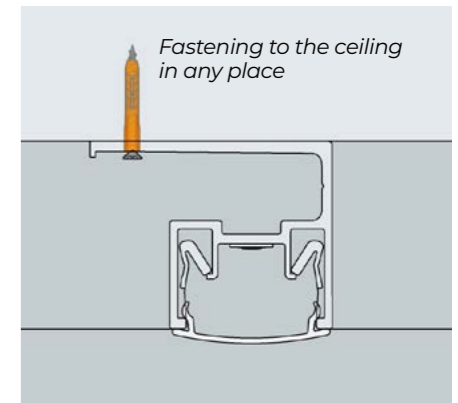
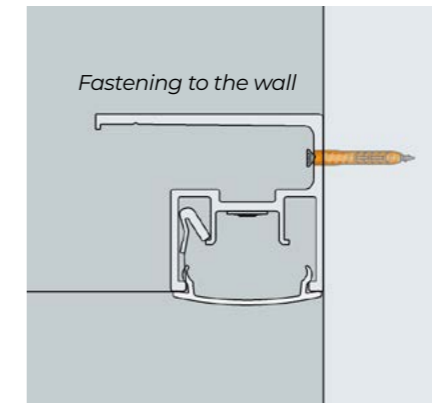
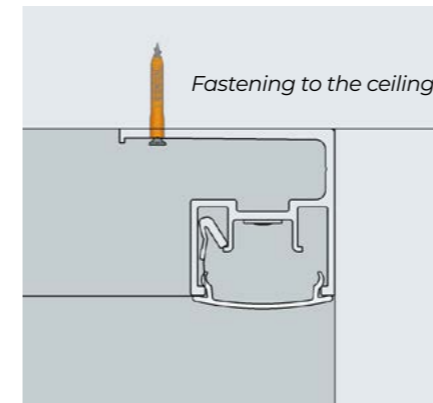


For gypsum surfaces

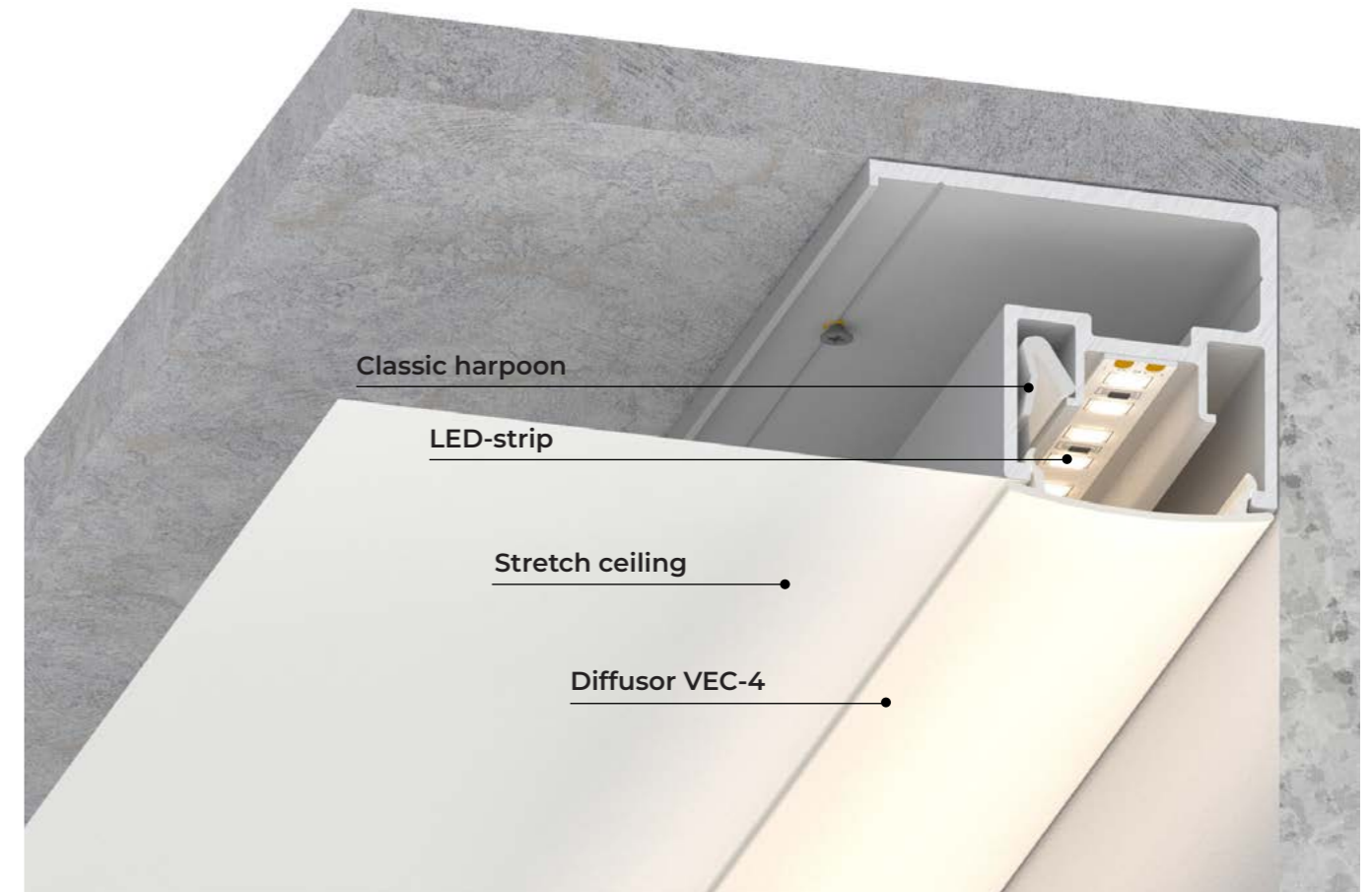


For concrete surfaces

MOUNTING VARIANTS



PERIMETER LIGHT LINE



Ceiling wall installation, light line around the perimeter of the ceiling, minimal height loss (35 mm) from the main ceiling