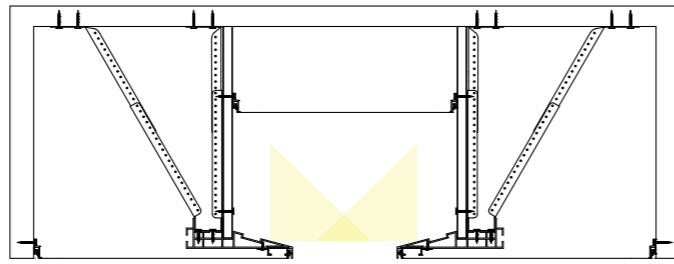


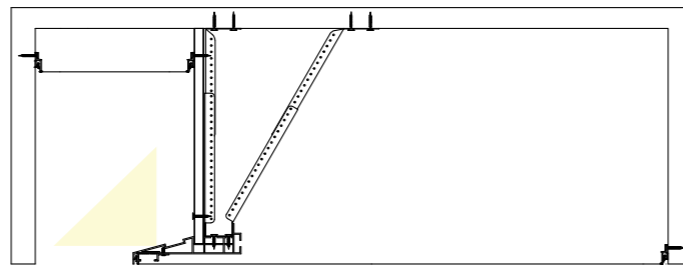
4 DIFFERENT INDIRECT LIGHT EFFECTS:



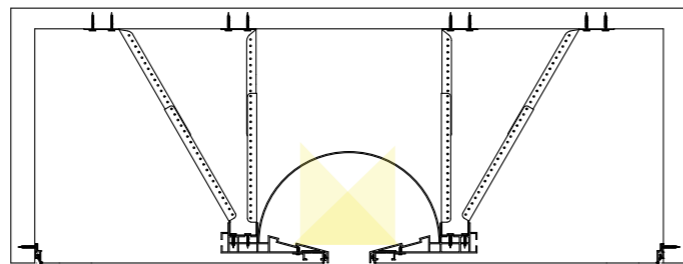
Supplement some visual effects and illusional extra space and height to the room.



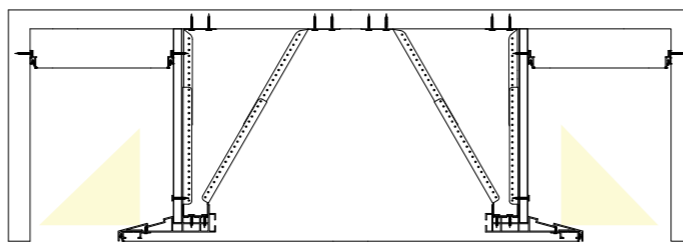
Add elegant indirect lighting to the perimeter of the ceiling, that is a modern way to use light source, that can be unique additional light element.



Create fascinating modules, with the soft moodlight in the edges, that can be either pieces of art (with printed, relief or alternative materials) or other stunning decorative details integrated to Your ceiling or walls.



Design and build spectacular light lines (max width 30 cm) that would evoke wow effects and make the most pleasing outcome in adding the accent lighting.



AL 25 Cornice + AL 25 Lock

Used with EXPO HARPOON or MINI harpoon

A profile that offers several remarkable usability possibilities, whether your aim is to bring some precisely measured beauty or extra light accent in the room. It can be used to create straight and sharp edges to the cornice whether it is used with gypsum or with stretch ceiling.

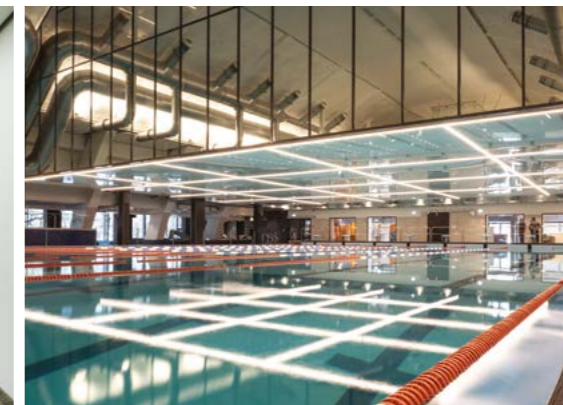
THE ADVANTAGES OF AL 25 PROFILE

- Universal product, as it can be used with gypsum and also with stretch ceilings,
- It will create a straight sharp edge,
- A unique profile, that can not be found among other producers products,
- Very easy and quick installation with special profile support system,
- Enhancing and soft moodlighting, where You can see only the light, not the profile itself.

SENSATIONAL OBJECTS DONE WITH THIS PROFILE



Vecta Design office
Estonia / Pärnu
Installer: Vecta Design

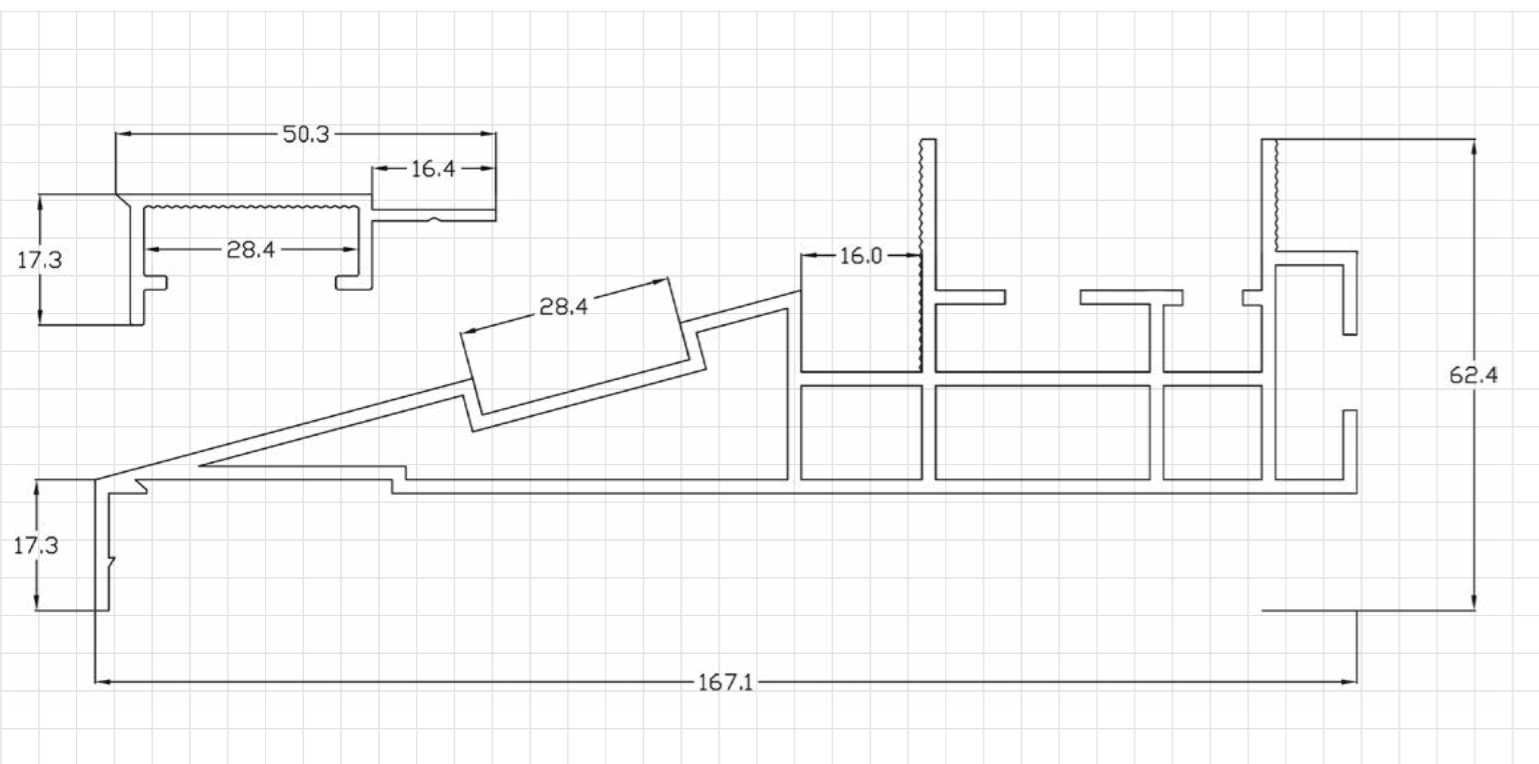


Kalev Spa Hotel & Water Park
Estonia / Tallinn
Installer: Vecta Design



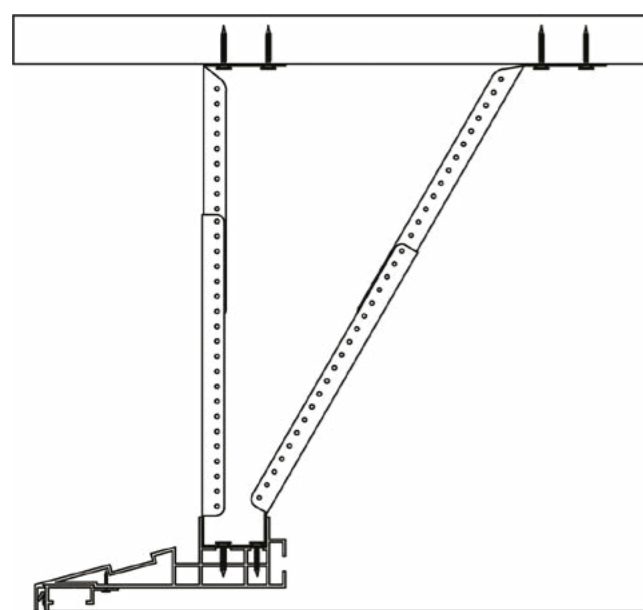
Suure-Jaani Wellness Center
Estonia / Viljandi District
Installer: Vecta Design

PROFILE REAL-SIZE DIMENSIONS

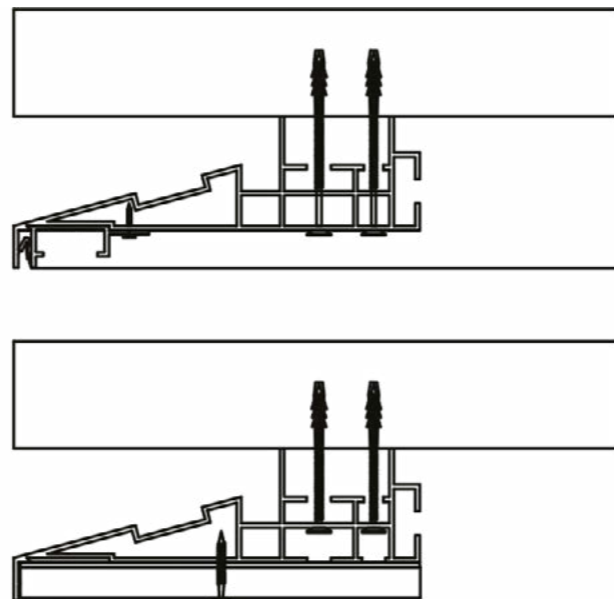


ABILITY TO INSTALL THE PROFILE TO THE BASE CEILING

Using supports



Mounting to the base ceiling



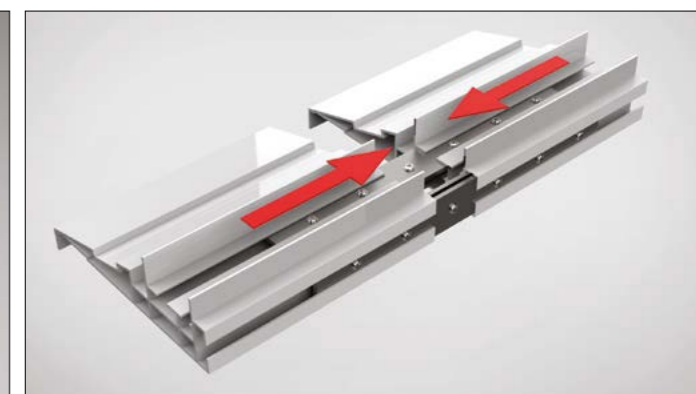
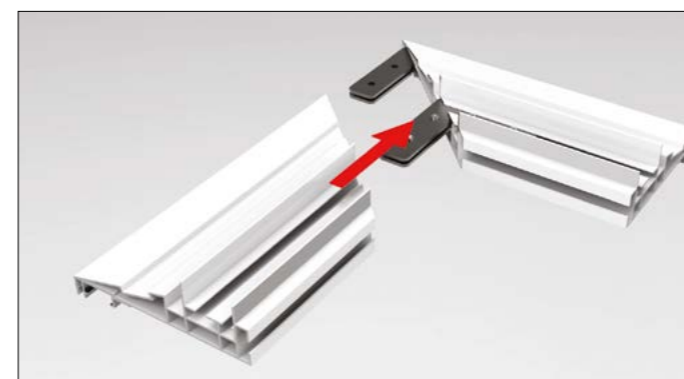
DESCRIPTION

AL 25 white profile is multifunctional cornice system, which can be used with stretch ceiling or gypsum. LED stripes can be placed directly on the profile in 15 degrees angle from the horizontal line. Side of the cornice is only 17mm which will stay visible. The profile is available in 2,5m and 5m lengths.

AL25 profile minimum recommended fastening is after every 60 cm. With size 42 mm gypsum frames by using screws, needs extra reinforcement with diagonals after every 100cm. When used with other gypsum frames the minimum recommended fastening is after every 40cm and diagonals after every 80cm.

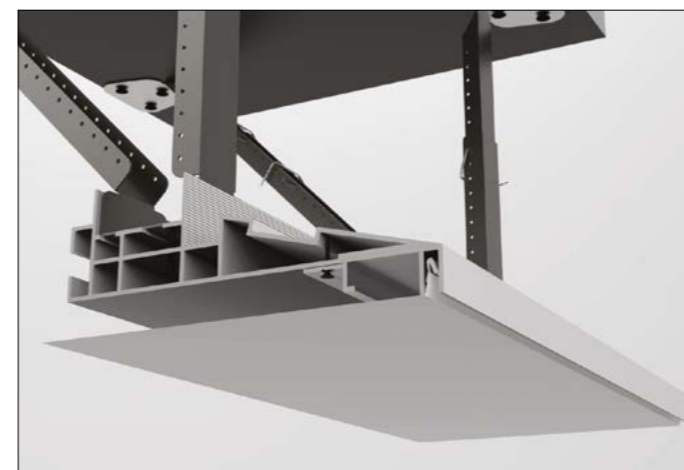
It is also possible to add gypsum on top of the profile, to prevent the light accessing backside of the ceiling and to finish the side of the cornice. AL 25 profile can be used with EASY ACCESS system (EXPO harpoon) to provide access behind the stretch ceiling. Used also with MINI harpoon. When used with gypsum board, then the gypsum board should be 12mm or 12,5mm thick, then you can hide screws with gypsum putty and add paint coating on the gypsum surface. The profile can also be attached straight to the basic ceiling. Easy corner fixing with double LC01 corners.

Corner fixing with LC01



Connecting profile by the length using LC-07

Used with stretch ceiling (with AL 25 Lock)



Used with gypsum board

